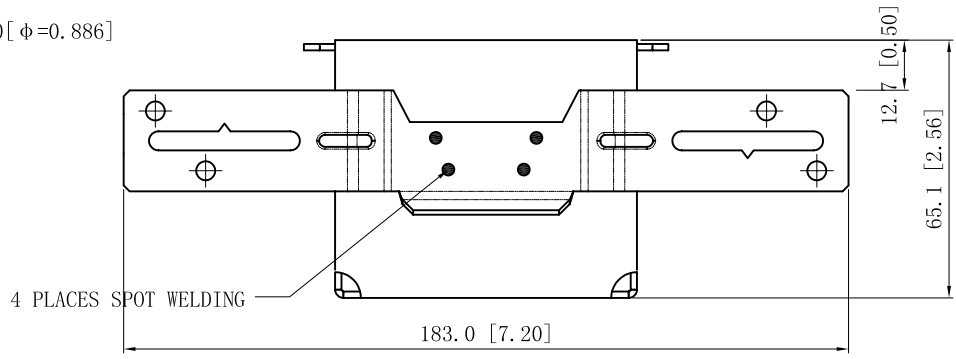
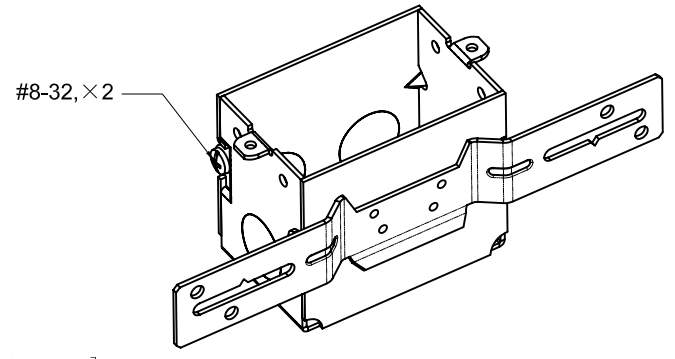
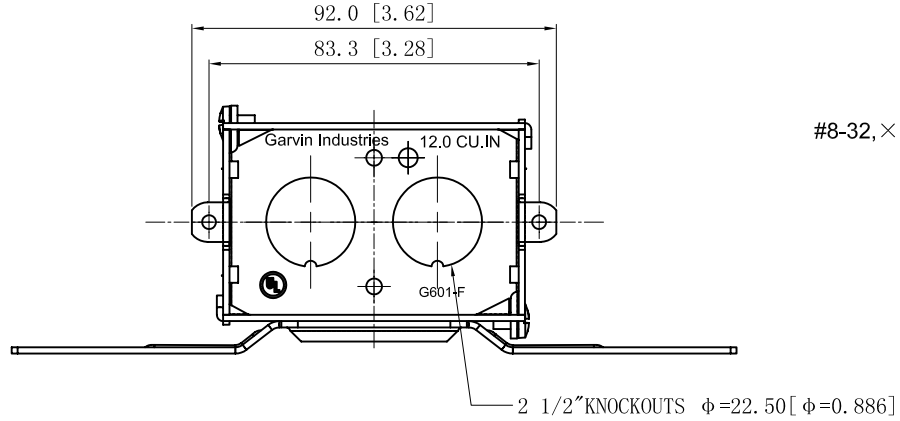
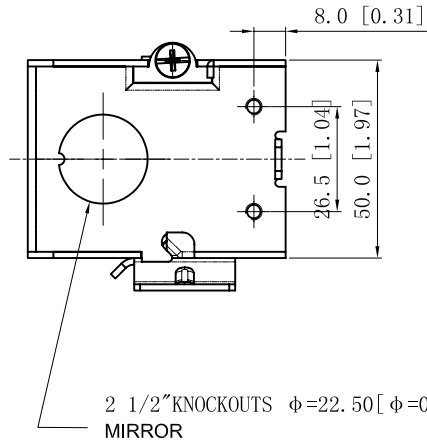
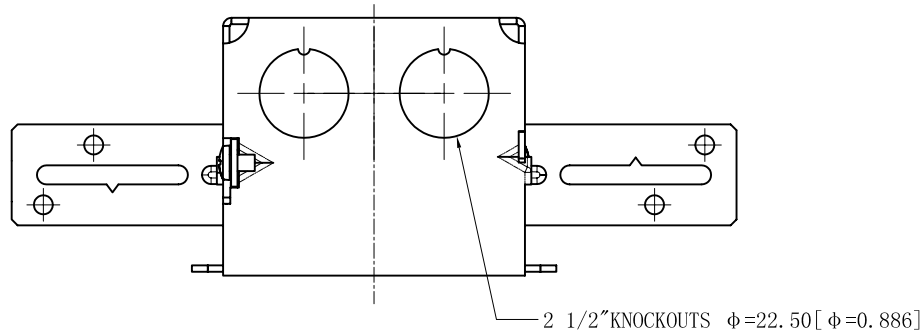


|                                       |                  |
|---------------------------------------|------------------|
| <b>SIDES</b>                          | <b>BOTTOM</b>    |
| 6 1/2" KNOCKOUTS                      | 2 1/2" KNOCKOUTS |
| 2 PCS 8-32×1/4 Screws Installed       |                  |
| 4 PCS 8-32×3/16 Screws Installed      |                  |
| Material:Steel-0.0625"-G60 Galvanized |                  |



This data sheet is for reference only .GARVIN INDUSTRIES reserves the right to make changes to the design without prior notice.

|                       |
|-----------------------|
| DESCRIPTION           |
|                       |
| TRADE REFERENCE TERMS |
|                       |

|                  |
|------------------|
| STANDARD PACKING |
| 25 PCS           |

|   |                   |     |
|---|-------------------|-----|
| <b>GARVIN INDUSTRIES</b>                              |                   |     |
| TITLE<br>GANGABLE SWITCH BOXES WITH CONOUIT KNOCKOUTS |                   |     |
| SIZE<br>A4  | DWG NO.<br>G601-F | REV |
| DATA SHEET  |                   |     |