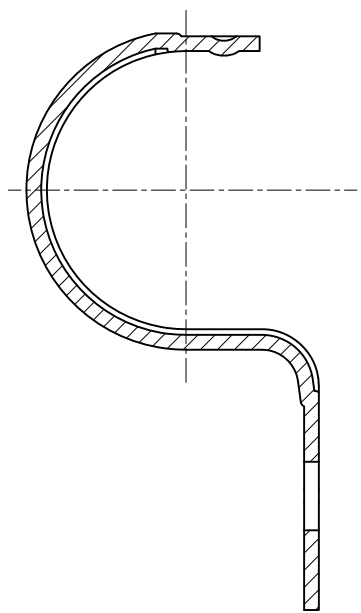
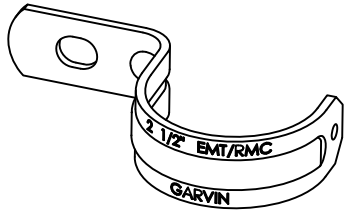
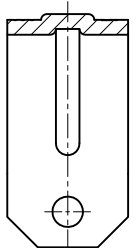
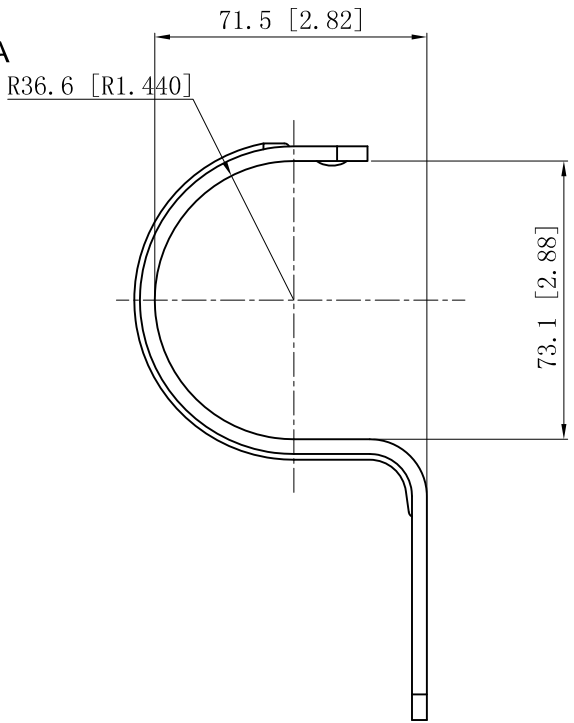
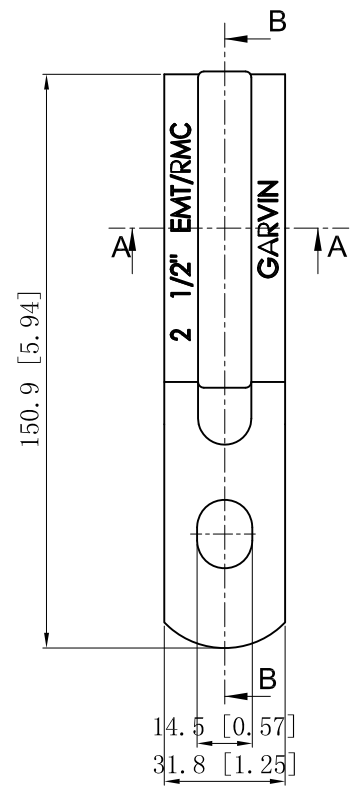


SIDES	BOTTOM
Material: Steel - 0.1532" - STAINLESS STEEL 304	



CUTAWAY VIEW B-B

CUTAWAY VIEW A-A



DESCRIPTION
TRADE REFERENCE TERMS

This data sheet is for reference only .GARVIN INDUSTRIES reserves the right to make changes to the design without prior notice.

STANDARD PACKING
25 PCS

<b>GARVIN INDUSTRIES</b>		
TITLE <b>ONE-HOLE STRAPS</b>		
SIZE A4	DWG NO. OHSS-250	REV
DATA SHEET		