



# Southwire™

## REDUCING BUSHINGS

### MALLEABLE IRON

#### FEATURES

- Rounded bushing protects conductor

#### APPLICATIONS

- Dry location use only
- Use to reduce the entry size of a run of threaded conduit

#### STANDARD MATERIAL

- Malleable iron

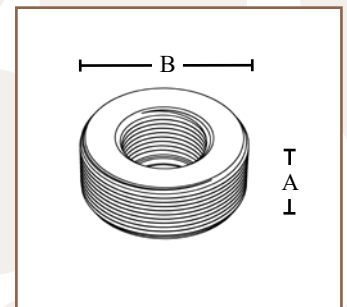
#### STANDARD FINISH

- Zinc plated



RB17

PART #	SIZE	MASTER QTY.	WEIGHT/ CASE (LBS.)	A	B
RB17	2-1/2" x 1"	10	11	1.30"	2.88"
RB18	2-1/2" x 1-1/4"	10	13	1.30"	2.88"
RB19	2-1/2" x 1-1/2"	10	9	1.30"	2.88"
RB20	2-1/2" x 2"	10	6	1.30"	2.88"
RB21	3" x 1-1/4"	10	18	1.54"	3.50"
RB22	3" x 1-1/2"	10	17	1.54"	3.50"
RB23	3" x 2"	10	16	1.54"	3.50"
RB24	3" x 2-1/2"	10	10	1.54"	3.50"
RB25	3-1/2" x 1-1/2"	10	24	1.59"	4"
RB26	3-1/2" x 2"	10	29	1.59"	4"
RB27	3-1/2" x 2-1/2"	10	25	1.59"	4"
RB28	3-1/2" x 3"	10	11	1.59"	4"
RB29	4" x 2"	10	28	1.77"	4.51"
RB30	4" x 2-1/2"	10	27	1.77"	4.51"
RB31	4" x 3"	10	22	1.77"	4.51"
RB32	4" x 3-1/2"	10	16	1.77"	4.51"



Rev. 0, 05/23

**BUILT FOR DURABILITY.  
BUILT FOR RELIABILITY.  
BUILT FOR WORK.™**

1-855-798-6657 | SOUTHWIRE.COM

©2023 Southwire Company, LLC. All rights reserved.  
\*Registered Trademark & ™Trademark of Southwire Company, LLC.