



# Southwire™

## 15A RIGHT ANGLE QUAD BOX WITH CORD SETS

Shockshield in-line GFCI ensures protection from dangerous current leakage that can cause electrical shock and possible electrocution.



**GFCI WITH 4-6MA TRIP POINT**

**25MS TRIP RESPONSE TIME**

**MANUAL RESET**

**PROVIDES COMPLIANCE WITH NEC 2008 ARTICLE 590.6 FOR TEMPORARY INSTALLATIONS**

**SPRING LOADED COVERS PROTECT RECEPTACLES**

**APPLICATIONS: PLANT MAINTENANCE, EQUIPMENT SERVICE AND CONSTRUCTION SITES**



**14880003-3**

APPLICATIONS
Drills
Lathes
Saws
Lighting
Multiple Tools Use
Construction Sites

MODEL #	ELECTRICAL RATING			CORD LENGTH	CORD GAUGE	WIRE TYPE	COLOR	RECEPTACLE COUNT	LIGHTED RECEPTACLE
14880003-3	120V	15A	60Hz	6'	12/3 AWG	SJTW/SJTOW	YELLOW	QUAD	RIGHT ANGLE

TECHNICAL DATA	
GROUNDING NEUTRAL	3 Kv Ringwave Test and 4Kv/2Ka Surge Immunity Test
VOLTAGE SURGE WITHSTAND	Operates Within Normal Limits With 0.5 Volts Injected On Power Line 150Khz-230Mhz
RADIO FREQUENCY NOISE SUSCEPTABILITY	3,000 Operations Minimum
ENDURANCE	Six Times Rated Current
OVERLOAD CURRENT	-35°C to 66°C
OPERATING TEMPERATURE RANGE	5% Maximum Trip Level Variation on Ground
EFFECT OF 10 AMP TURN DC SOCK FAULT TRIP	1500 Vrms - 1 Min.
INSULATION VOLTAGE	Mechanical Indicator
POWER INDICATION	Mechanical Indicator

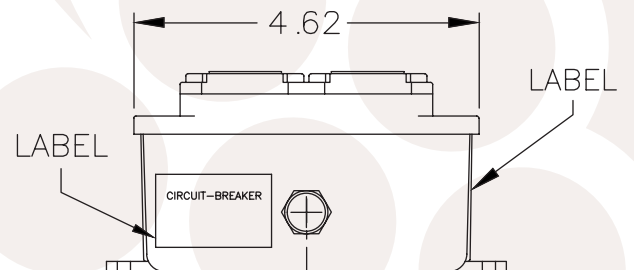
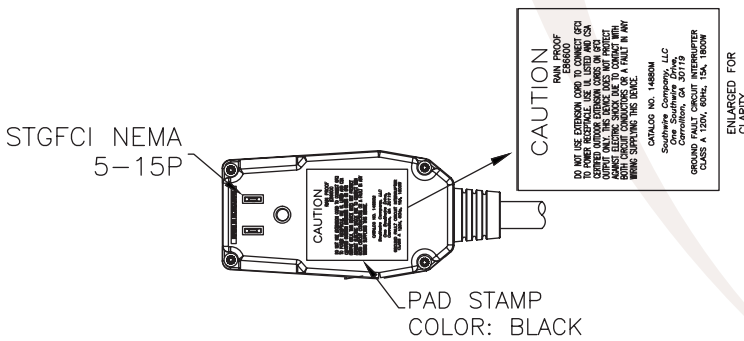
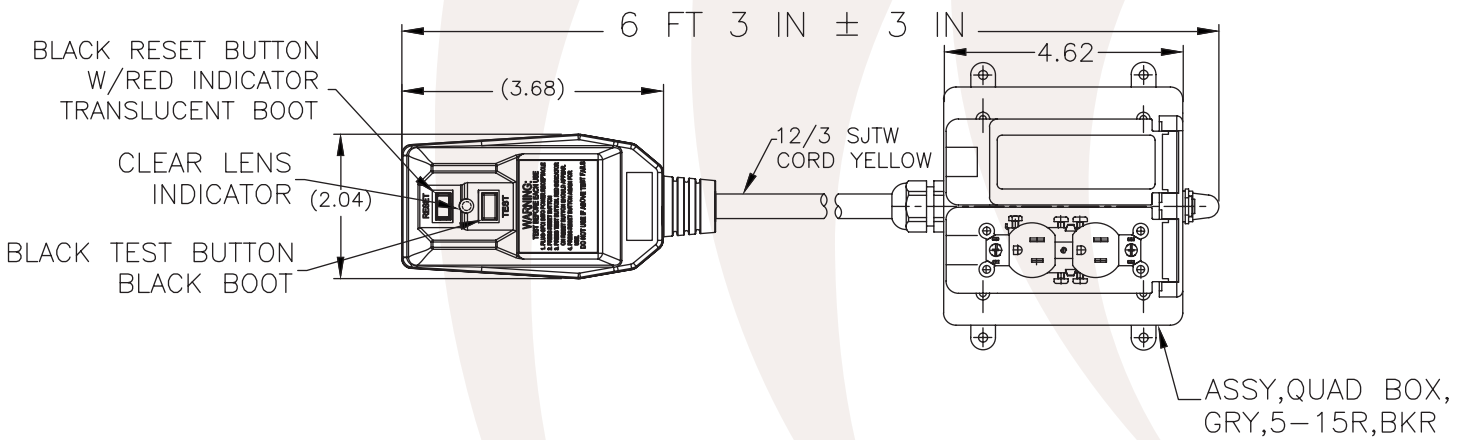
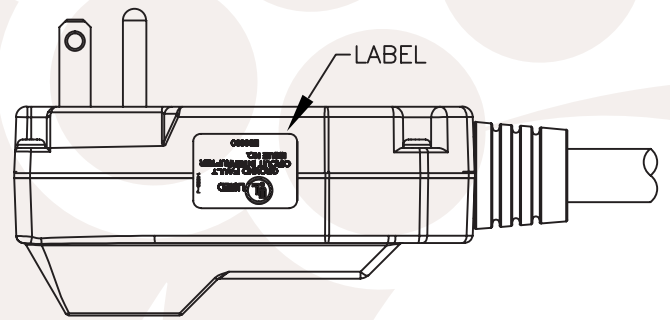
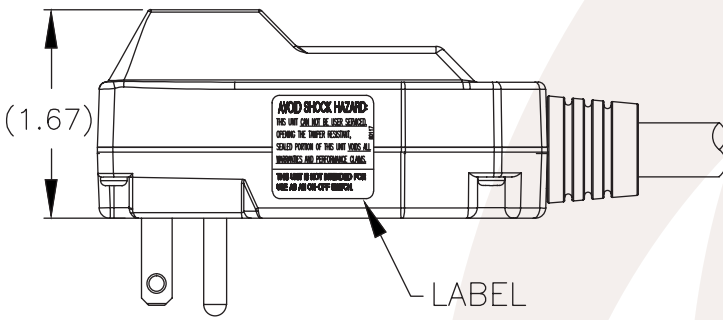
**BUILT FOR DURABILITY.  
BUILT FOR RELIABILITY.  
BUILT FOR WORK.™**

**1-855-798-6657 | SOUTHWIRE.COM**

©2023 Southwire Company, LLC. All rights reserved.  
\*Registered Trademark & ™Trademark of Southwire Company, LLC.



# Southwire™



**BUILT FOR DURABILITY.  
BUILT FOR RELIABILITY.  
BUILT FOR WORK.™**

1-855-798-6657 | SOUTHWIRE.COM

©2023 Southwire Company, LLC. All rights reserved.  
\*Registered Trademark & ™Trademark of Southwire Company, LLC.