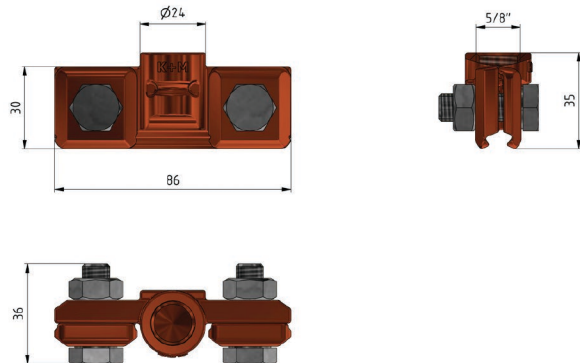
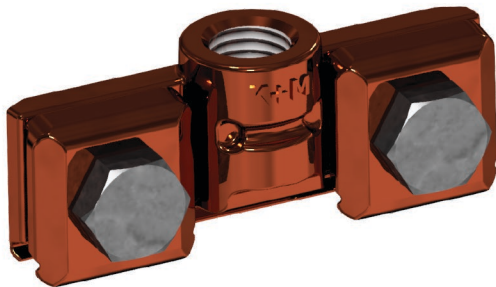


# Contact wire clamp complete, with thread 5/8"

Item number E3183-02



## Dimensions

A: 86 mm

B: 35 mm

C: 5/8"

## Material and weight

Weight: 0.345 kg

Material: CuNiSi

## Comments

- For grooved contact wire 80-120 mm<sup>2</sup>(Other contact wire sections on request)



**Southwire™**



A COLAS RAIL COMPANY

Contact Us: [Transit@southwire.com](mailto:Transit@southwire.com)