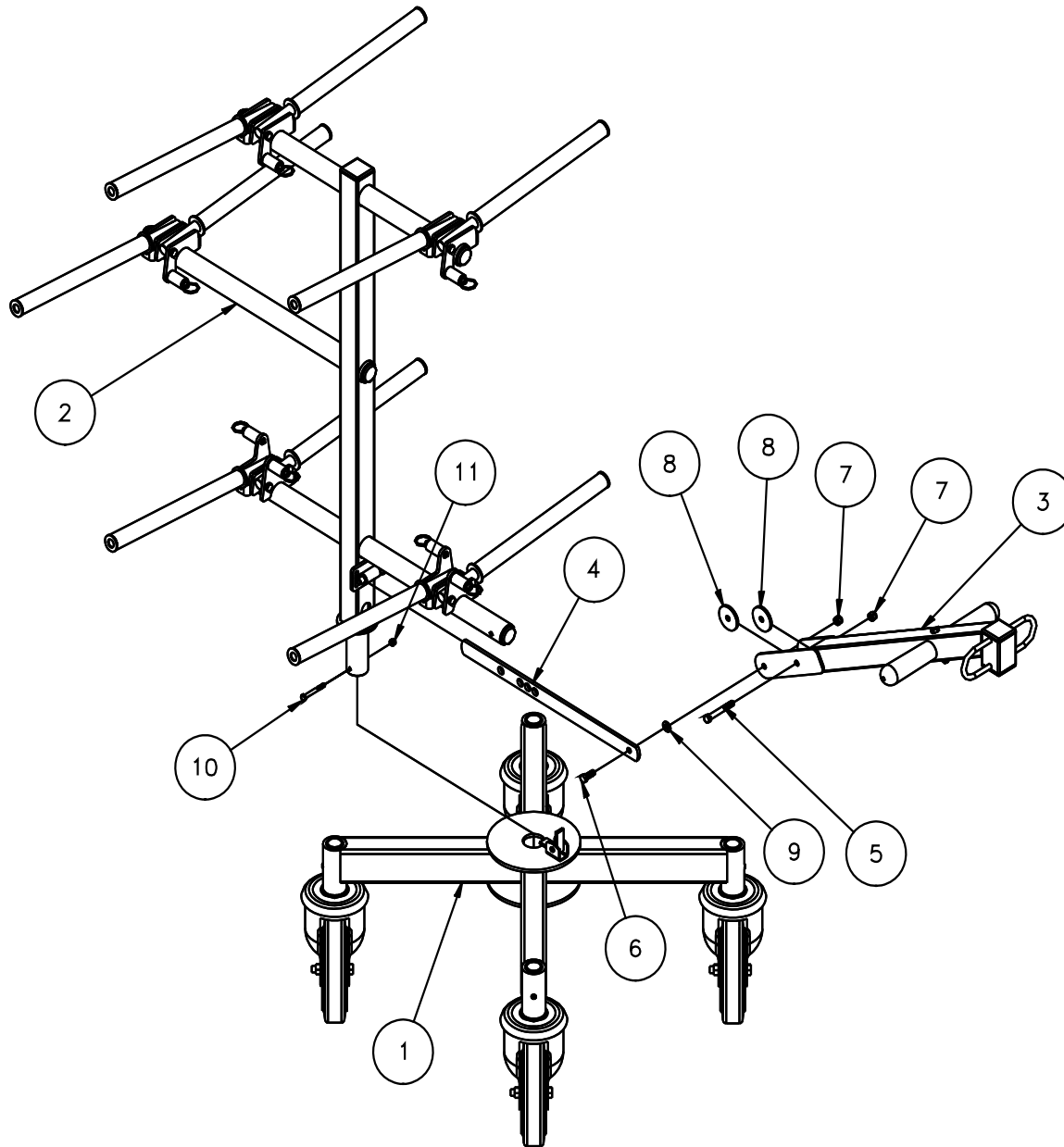
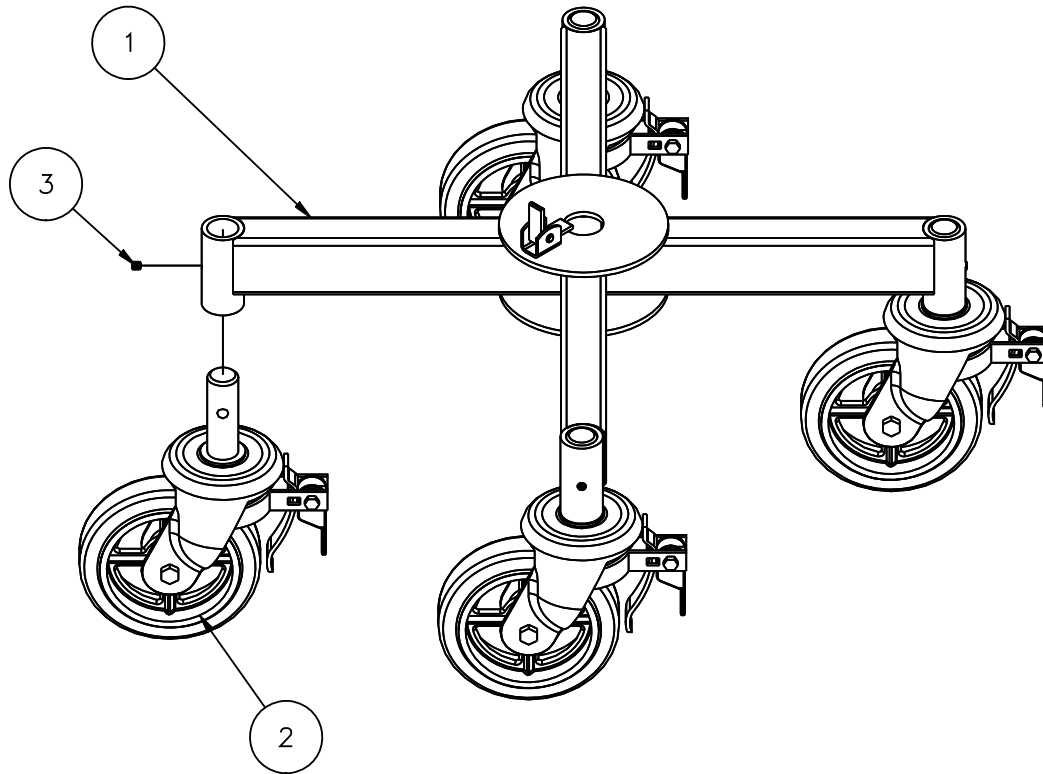


10 PAC MAC™ ASSEMBLY (783366)



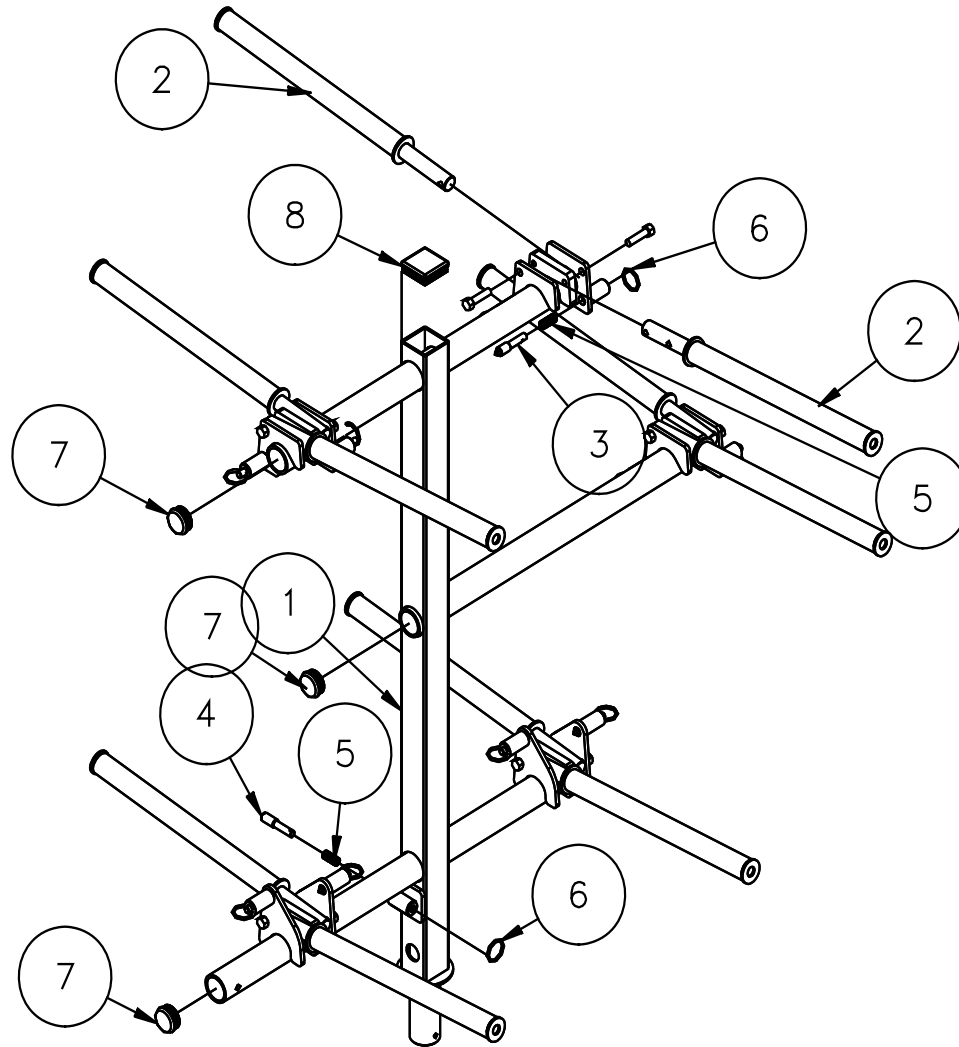
ITEM NO.	PART NUMBER	DESCRIPTION	QTY
1	783363	BASE ASSEMBLY (10 PAC MAC™)	1
2	783365	UPRIGHT ASSEMBLY (10 PAC MAC™)	1
3	783374	GUIDE ARM ASSEMBLY (10 PAC MAC™)	1
4	783371	ADJUSTMENT ARM (10 PAC MAC™)	1
5	771101	SCREW, HHC 3/8 - 16 X 2-3/4	1
6	771107	SCREW, HHC 3/8 - 16 X 1	1
7	772355	NUT, INSERT LOCK 3/8 - 16	2
8	783376	PLASTIC WASHER	2
9	773040	WASHER, FLAT 3/8 USS	1
10	771034	SCREW, HHC 1/4 X 20 X 2-1/4	1
11	772076	NUT, INSERT LOCK 1/4 - 20	1

10 PAC MAC™ ASSEMBLY (783363)



ITEM NO.	PART NUMBER	DESCRIPTION	QTY
1	783362	BASE WELDMENT (10 PAC MAC™)	1
2	779001	CASTER E-DB-92X2-8RT SPECIAL	4
3	771460	SCREW, SET 3/8-16 X 3/8 CUP PT.	4

10 PAC MAC™ UPRIGHT ASSEMBLY (783365)



ITEM NO.	PART NUMBER	DESCRIPTION	QTY
1	783360	UPRIGHT WELDMENT (10 PAC MAC™)	1
2	783343	SPINDLE WELDMENT (6 & 10 PAC MAC™)	10
3	783342	PLUNGER (6 & 10 PAC MAC™)	10
4	782510	PLUNGER	1
5	776212	SPRING, #DWC-042-G-9	11
6	775110	SPLIT RING 1-1/4" NICK. PLTD.	11
7	779917	CAP, 1-1/2" ROUND, BLK.	6
8	779916	CAP, 2" SQ TUBING, BLK	1
9	771090-1	SCREW, HHC 3/8-16 X 1-1/2 NYLOC	10