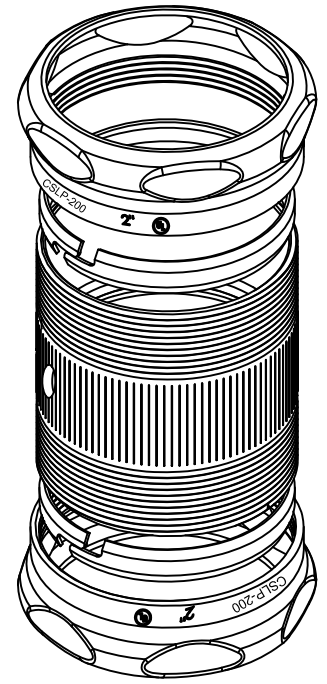
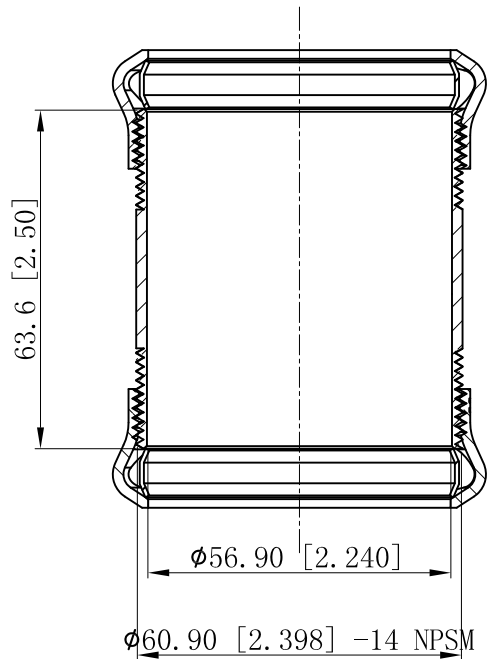
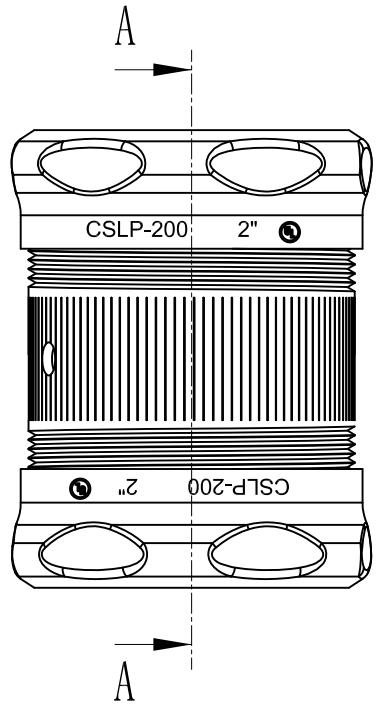


SIDES	BOTTOM
Material: Steel-Welding tube, zinc plated	



CUTAWAY VIEW A-A

This data sheet is for reference only .GARVIN INDUSTRIES reserves the right to make changes to the design without prior notice.

DESCRIPTION
TRADE REFERENCE TERMS

STANDARD PACKING	GARVIN INDUSTRIES		
10 PCS	SIZE	DWG NO.	REV
	A4	CSLP-200	B
DATA SHEET			
www.garvinindustries.com			