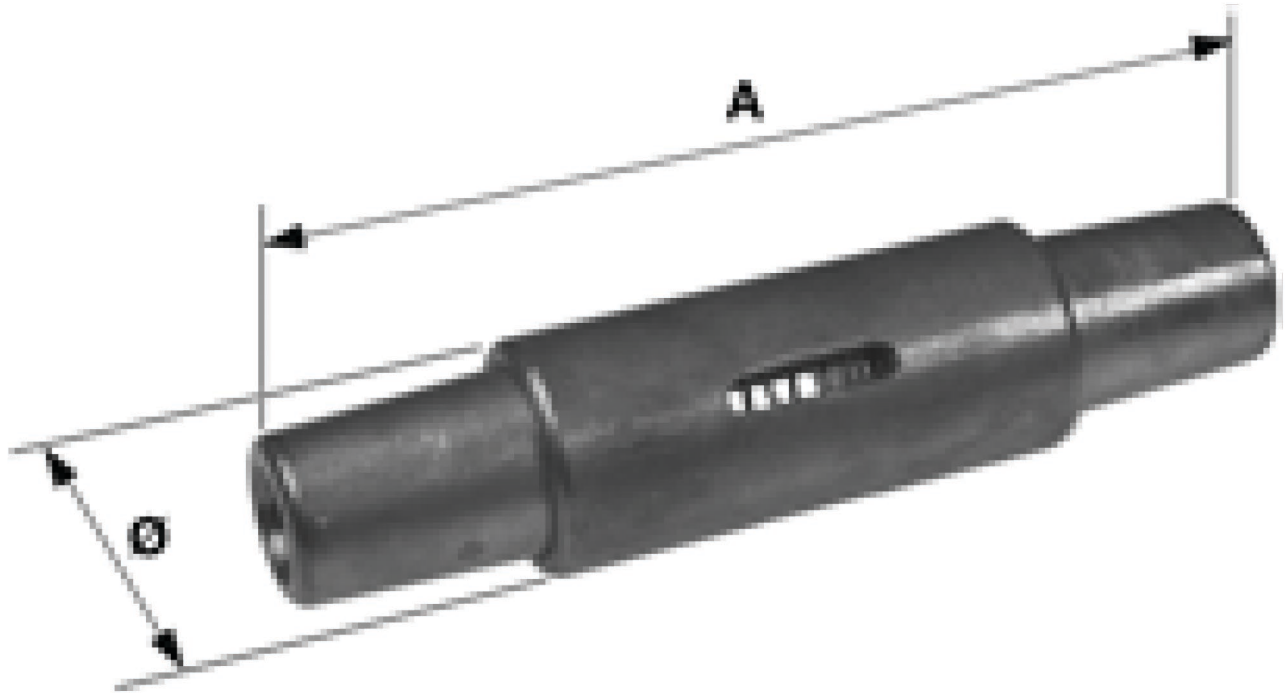


Coupling for cable 120 mm²

Item number E0637-18



Dimensions

A: 180 mm
Ø: 35 mm

Material and weight

Material: CuNiSi
Weight: 0.780 kg

Loads

Breaking load: 65 kN

Comments

- Please indicate when ordering cable section, cable diameter, make up and quantity of strands
- Additional types on request



Southwire[™]



A COLAS RAIL COMPANY

Contact Us: Transit@southwire.com