

LED Emergency Lights REMOTE HEADS



An Efficient Way to Provide Emergency Lighting

Provide code compliant emergency lighting solutions for offices, warehouses, retail, and other public spaces at significantly less cost than installing an additional emergency fixture. Topaz Emergency Light Remote Heads can also extend the reach of outdoor emergency illumination when used with compatible emergency lights and exit signs. Featuring adjustable lamp heads, these attachments can be easily positioned to light the path of egress.

FEATURES

- Meets NFPA 70, NFPA 101, UL924, NEC, and OSHA standards
- Powered by a compatible battery equipped exit sign or emergency light
- Single or double head configurations
- Fully adjustable lamp heads - track and swivel for full range adjustability
- Installs to single-gang J-box
- Ceiling or wall mount

SUGGESTED APPLICATIONS

- Commercial / industrial
- Retail
- Stairways
- Hallways
- Public spaces



LED Emergency Lights REMOTE HEADS

GENERAL SPECIFICATIONS

Minimum CRI: 70
Efficacy: Up to 120 LPW
Lamp Housing: Plastic, UL 94-5VA ABS

Lens Type: Polycarbonate optical
Mounting Options: Ceiling or wall mount with included hardware

ITEM SPECIFICATIONS / ORDER INFO

Catalog Number	Order Code	UPC	Lumens	Input Wattage	Input Voltage	CCT	Number of Heads	Location Rating	Ambient Operating Temperature	Color	Lens Shape
EL1WL-LED-WH	72761	751338039681	90	0.75W	3-12V DC	4000K	1	Wet	-13°F to 122°F	White	Round
EL2WL-LED-GR	72762	751338039698	180	1.5W	3-12V DC	4000K	2	Wet	-13°F to 122°F	Gray	Round
EL1/LED/WH/RH	70917	751338037908	75	0.75W	3.6V DC	6000K	1	Damp	50°F to 104°F	White	Square
EL2/LED/WH/RH	70918	751338037922	150	1.5W	3.6V DC	6000K	2	Damp	50°F to 104°F	White	Square

NOMENCLATURE

EL1WL = Emergency Light, White, 1 Head, Wet Location - LED = LED - WH = White
EL2WL = Emergency Light, White, 2 Heads, Wet Location GR = Gray

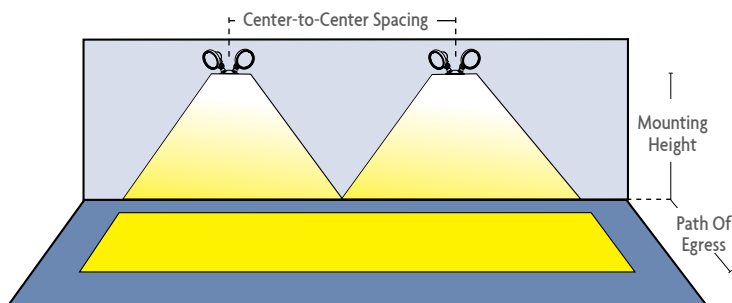
EL1 = Emergency Light, White, 1 Head - LED = LED - WH = White - RH = Remote Head
EL2 = Emergency Light, White, 2 Heads

DIMENSIONS / WEIGHTS

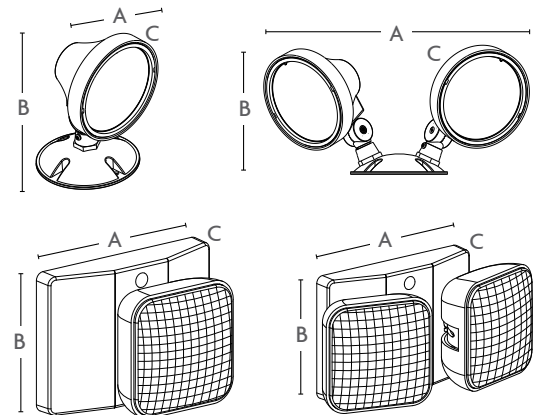
Catalog Number	(A)	(B)	(C)	Weight
EL1WL-LED-WH	4.50"	4.75"	7.08"	0.9 Lbs.
EL2WL-LED-GR	10.25"	4.50"	6.75"	1.1 Lbs.
EL1/LED/WH/RH	6.00"	4.25"	3.50"	0.4 Lbs.
EL2/LED/WH/RH	6.00"	4.25"	3.38"	0.7 Lbs.

SPACING GUIDELINES

Catalog Number	Mounting Height	Center-to-Center Spacing	Path of Egress
EL1WL-LED-WH	7.5'	10'	6'
	10'	8'	6'
EL2WL-LED-GR	7.5'	17'	6'
	10'	16'	6'
EL1/LED/WH/RH	7.5'	11'	6'
	10'	9'	6'
EL2/LED/WH/RH	7.5'	20'	6'
	10'	18'	6'



Compliant NFPA 101 requires 1.0 foot-candle average and 0.1 footcandle minimum with a 40:1 maximum/minimum ratio.



COMPATIBILITY

Base Unit	Remote Head Fixtures	Remote Head Location Rating	Max Remote Fixtures
EL2/LED/WH/RC	EL1WL-LED/WH	Wet (Indoor/Outdoor)	2
	EL2WL-LED/GR	Wet (Indoor/Outdoor)	1
	EL1/LED/WH/RH	Damp/Dry (Indoor)	2
	EL2/LED/WH/RH	Damp/Dry (Indoor)	1
ESC/LED/RW/RC	EL1WL-LED/WH	Wet (Indoor/Outdoor)	2
	EL2WL-LED/GR	Wet (Indoor/Outdoor)	1
	EL1/LED/WH/RH	Damp/Dry (Indoor)	2
	EL2/LED/WH/RH	Damp/Dry (Indoor)	1

NOTES:

It is important to match your remote head capable emergency light or exit sign with the correct voltage remote heads.

For all Exit and Emergency fixtures, the battery will be prorated for 5 years. Visit www.topaz-usa.com/warranty for complete warranty details.

This device complies with Part 15 of the FCC Rules. Operation is subject to the following two conditions: (1) this device may not cause harmful interference, and (2) this device must accept any interference received, including interference that may cause undesired operation.

Specifications subject to change without prior notice.

WARNING: Some products included in this specification sheet may be subject to the warning requirements of California's Proposition 65. Please refer to your product packaging for more information.