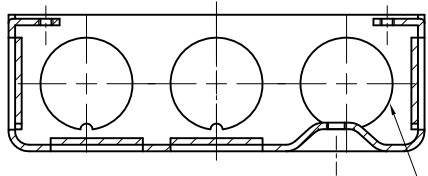
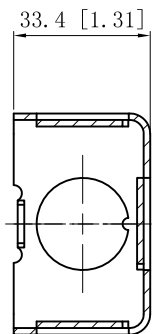
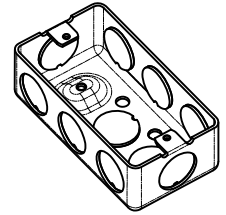


SIDES	BOTTOM
8 1/2" KNOCKOUTS	2 1/2" KNOCKOUTS
	1 Ground Hump
Material: Steel-0.0625"-G60 Galvanized	

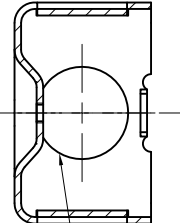
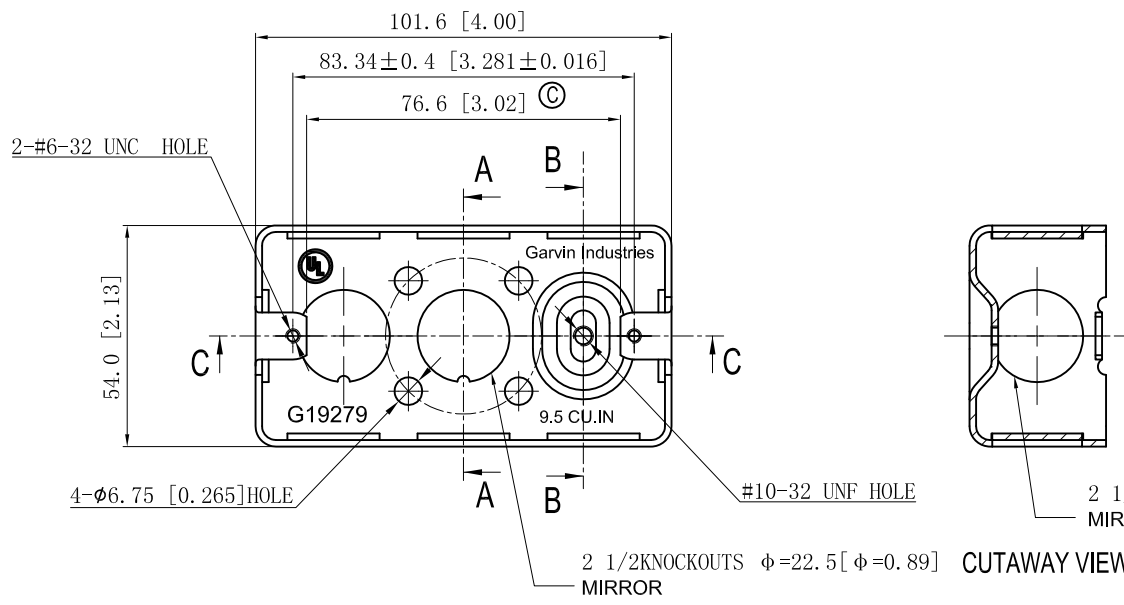


CUTAWAY VIEW C-C

6 1/2" KNOCKOUTS $\phi=22.5$ [$\phi=0.89$]
MIRROR



CUTAWAY VIEW A-A



CUTAWAY VIEW B-B

2 1/2" KNOCKOUTS $\phi=22.5$ [$\phi=0.89$]
MIRROR

2 1/2" KNOCKOUTS $\phi=22.5$ [$\phi=0.89$]
MIRROR

DESCRIPTION
TRADE REFERENCE TERMS

This data sheet is for reference only .GARVIN INDUSTRIES reserves the right to make changes to the design without prior notice.

STANDARD PACKING	<h1>GARVIN INDUSTRIES</h1>		
50 PCS			
TITLE	HANDY UTILITY BOXES & EXTENSINO RINGS		
SIZE	DWG NO.		REV
A4	G19279		C
DATA SHEET			