



**Southwire™**

TOOLS & EQUIPMENT

# ***REEL HANDLING SOLUTIONS***



**BUILT FOR DURABILITY.  
BUILT FOR RELIABILITY.  
BUILT FOR WORK.™**

**1-855-798-6657 | SOUTHWIRETOOLS.COM**

©2017 Southwire Company, LLC. All rights reserved.  
®Registered Trademark and ™Trademark of Southwire Company, LLC.

# PROJAX™ REEL STANDS

## A 10,000 lb. CAPACITY PORTABLE REEL STAND

- One person can easily transport through most jobsite environments
- Minimum drill recommendations: 18V cordless, equivalent of 1000 in. lb. torque rated, for reels 10,000 lb.
- Easy adjustment for uneven surfaces on jobsite
- Axle rests on steel rollers for easy wire pay off
- Axle safety guard ensures that reel will not fall off of jack stands
- On board Southwire PROJAX™ Axle Holder
- PROJAX™ stands can lift up to 10,000 lb. (Pair)
- Can be used with 1-1/4" - 3" axle



Southwire™

TOOLS & EQUIPMENT

# QWIKJAX™ REEL STANDS

## 3000 lb. COLAPSABLE REEL STAND (SINGLE)

- 6,000 lb. capacity (Pair)
- One person can easily transport through most jobsite environments
- Axle safety catch hook ensures that reel will not fall off of jack stands
- Axle rests on steel rollers for easy wire pay off
- Maximum reel height: holds up to a 72" reel
- Quick folding feature for compact storage
- Sliding cradle for quick adjustments on large reels
- Easy-to-use, one person set up and operation
- Easy adjustment for uneven surfaces on jobsites



# **ScrewJax™** **REEL STANDS**

## **SCREW-TYPE**

### **REEL JAX 22"-54"**

- Roller bearing incorporated into Jax rollers
- Powder-coat finish for superior durability and corrosion resistance
- Rollers fit inside axle grooves to prevent axle running
- Wide welded steel base for added strength and stability
- Telescoping mid section for adjustability
- Strut lock pin for added strength and stability
- Supports reels up to 5,000 lb. (Pair)



## **SCREW-TYPE**

### **REEL JAX 13"-27"**

- Roller bearing incorporated into Jax rollers
- Powder-coat finish for superior durability and corrosion resistance
- Rollers fit inside axle grooves to prevent axle running
- Wide welded steel base for added strength and stability
- Telescoping mid section for adjustability
- Strut lock pin for added strength and stability
- Supports reels up to 5,000 lb. (Pair)



**Southwire™**

TOOLS & EQUIPMENT

# **MAXISJAX<sup>®</sup>**

## **REEL STANDS**

- Easy to store and transport
- Breaks down into a compact and easy to store tool
- Jaw clamps onto axle so that wire reels won't come off or fall over
- Multiple steel rollers make it easy for one person to pull off heavy wire
- Max Lever allows one person to lift wire reels off the ground with minimal effort
- Uses either a 1-1/2" to 2" rigid pipe for an axle
- Works on reels up to 48" tall
- Supports reels up to 3,000 lb. (Pair)



# AXLES AND RISERS

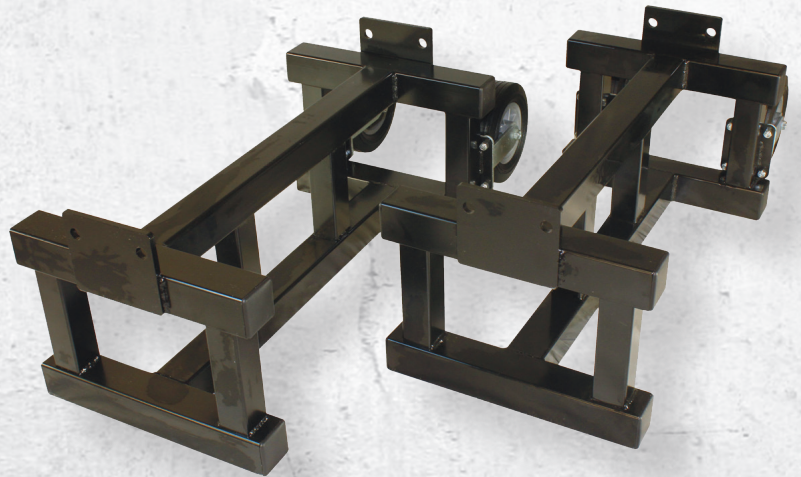
## REEL AXLES

- Heavy duty 6,000 lb. capacity
- Low-deflection high-strength steel
- Available in 60" and 72" lengths



## 12" RISER ATTACHMENT FOR PROJAX™ (PAIR)

- Enables PROJAX™ Reel Stands to be used with 104" reel stands



## PRO-JAX™ REEL STANDS

Model #	Stock #	Description		
MPJ01	58133201	PROJAX™ Reel Stand (Single)		
MPJ02	58526401	PROJAX™ Reel Stand (Pair)		
Height		Width	Depth	Weight
41"		17"	43"	118lb. (Single)

## QWIKJAX™ REEL STANDS

Model #	Stock #	Description		
QJ-01	64237801	QWIKJAX™ Portable Reel Stand (single)		
Height		Width	Depth	Weight
29" - 42"		17"	29"	35lb. (Single)

## MAXISJAX® REEL STANDS

Model #	Stock #	Description		
MJ707	56824501	MAXISJAX® - 3,000 lb. REEL STANDS (Pair)		
Height		Width	Depth	Weight
37"		7"	9.5"	54lb. (Pair)

## SCREWJAX™

Model #	Stock #	Description		
CJ-01	59892901	Screw-Type Reel Jax 22"-54"		
CJ-02	59893001	Screw-Type Reel Jax 13"-27"		
Height		Width	Depth	Weight
28"		15"	15"	22lb. (Single)
54"		24"	21"	42lb. (Single)

## AXLES

Model #	Stock #	Description		
PJA-01	58948701	6,000 lb. capacity 72" reel axle		
PJA-02	59161901	6,000 lb. capacity 60" reel axle		

## RISERS

Model #	Stock #	Description		
PJS-01	58955301	12" riser attachment for PROJAX™ (Pair)		



**Southwire™**

TOOLS & EQUIPMENT

# **REEL HANDLING SOLUTIONS**



/SOUTHWIRETOOLS  
/SOUTHWIRETOOLSLATINO



@SOUTHWIRETOOLS



@SOUTHWIRETOOLS



SOUTHWIRETOOLS

**BUILT FOR DURABILITY.  
BUILT FOR RELIABILITY.  
BUILT FOR WORK.™**

**1-855-798-6657 | SOUTHWIRETOOLS.COM**

©2017 Southwire Company, LLC. All rights reserved.  
®Registered Trademark and ™Trademark of Southwire Company, LLC.