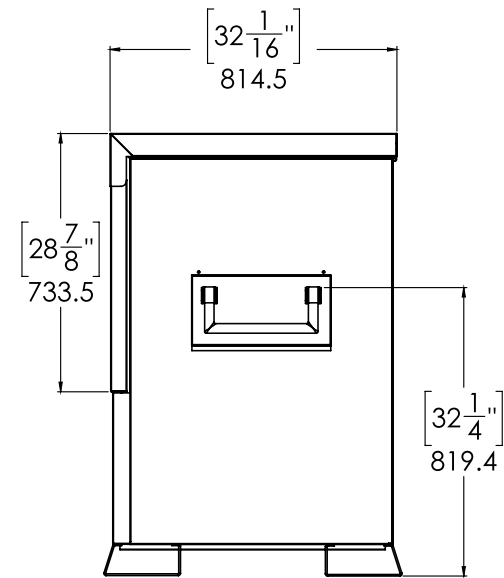
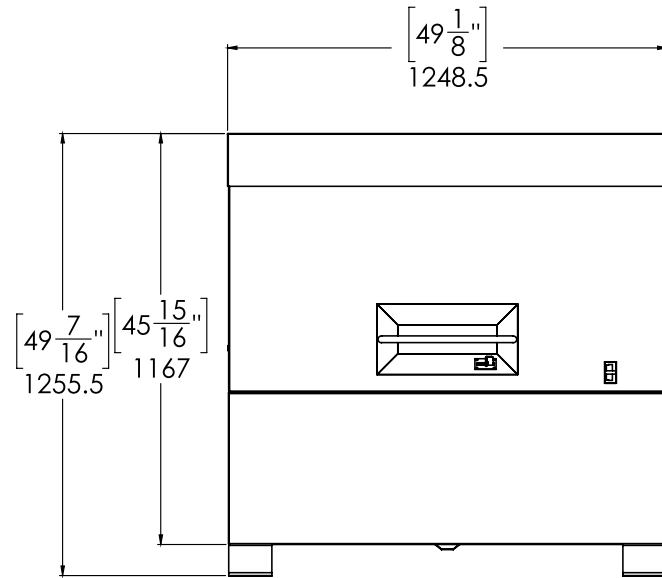
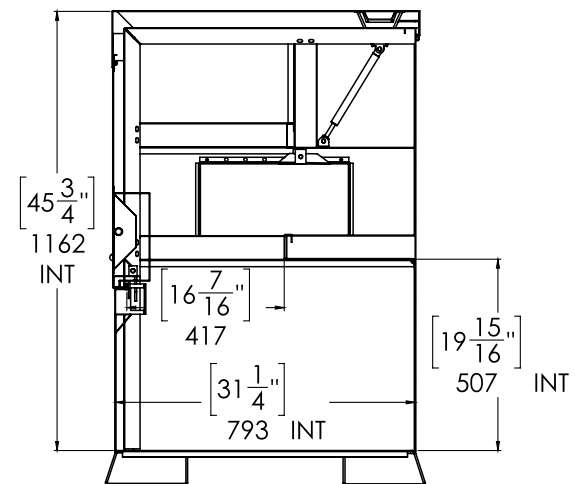
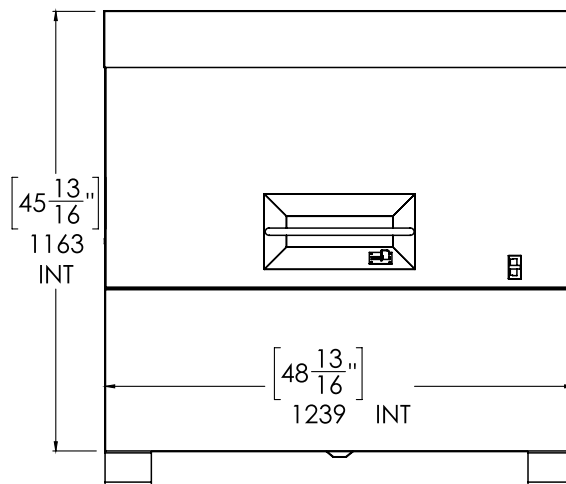


PIANO BOX - PB483048 (59822301)

OUTER DIMENSIONS

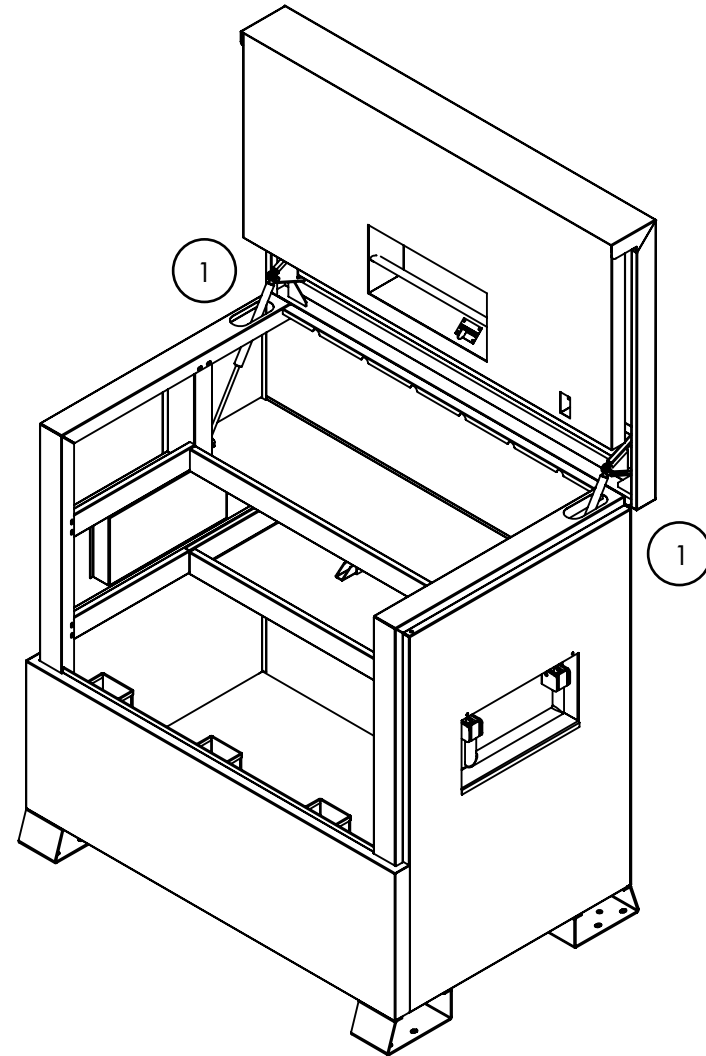
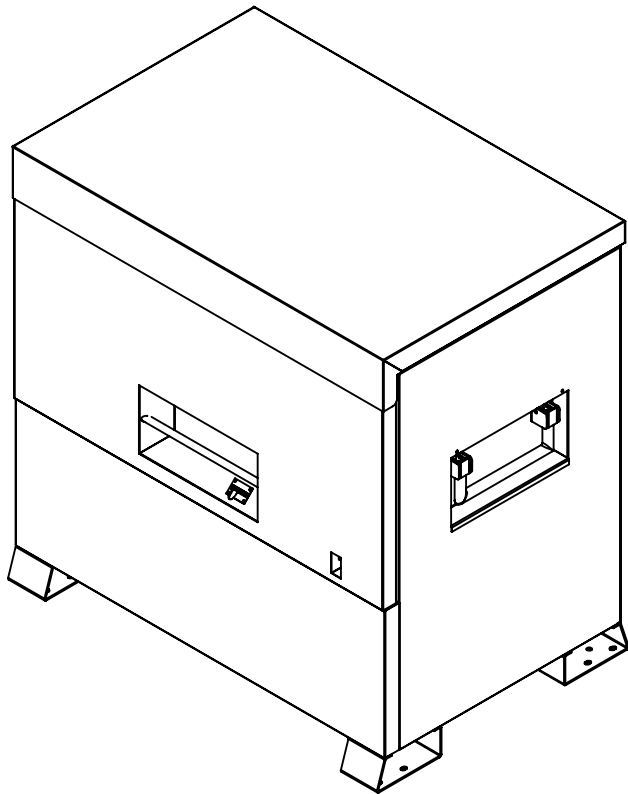


INNER DIMENSIONS



SECCIÓN AL-AL
ESCALA 1 : 16

PIANO BOX - PB483048 (59822301)



Item	Part No.	Description	Qty
1	65272640	Piano Box Shocks	2
-	779025	Optional Caster Kit That Contains 779008 and 779009	-
-	779008	6" Swivel Casters	2
-	779009	6" Rigid Casters	2