



**Southwire™**

# DOUBLE GANG IN-USE COVERS

## ADD 73 IN 1 EXTRA DUTY IN-USE COVER

### FEATURES

- Low profile multi height metal extra duty in use cover
- Impact rated, withstands today's destructive forces
- Reinforced hinge withstands 40 lbs.stress test
- Lockable to prevent accidental disconnects
- Patent snap in adapters (no tools required)
- Swing bar up or down for patent multi height position
- Expands out to 4-1/2" to gain extra clearance and accommodate internal cords
- Sleek industrial design
- Easy to open
- Extra large cord opening for heavy gauge cords

### APPLICATIONS

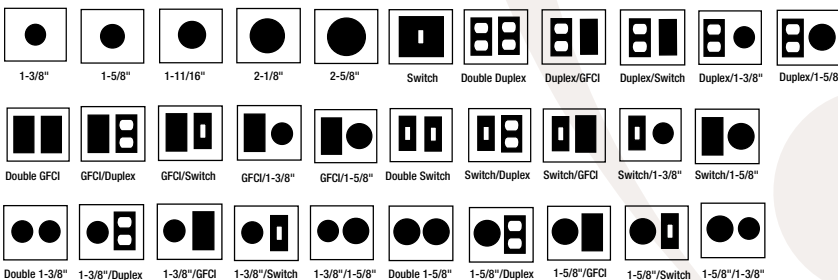
- UL listed for wet locations
- Extra duty metal in use covers are designed for use whenever weatherproof protection is required while an outlet is in use
- Provides superior protection for industrial, commercial and residential electrical receptacles

### STANDARD MATERIAL

- Copper free aluminum

### STANDARD FINISH

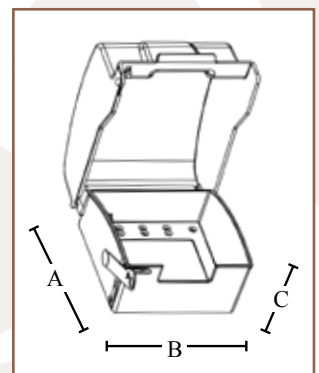
- Premium powder coat finish



WCIU2M



UL® Listed and 2011 NEC® and NEMA® 3R Compliant



PART #	OPENING	MASTER QTY.	WEIGHT/CASE (LBS.)	A	B	C DEPTH
WCIU2M	3.50-4.50	6	13	4.61"	4.61"	2.39"

Rev. 0, 06/23

**BUILT FOR DURABILITY.  
BUILT FOR RELIABILITY.  
BUILT FOR WORK.™**

1-855-798-6657 | SOUTHWIRE.COM

©2023 Southwire Company, LLC. All rights reserved.  
\*Registered Trademark & ™Trademark of Southwire Company, LLC.