



Southwire™

CLAMPS AND CLIPS

PUSH-IN CONDUIT CLIPS

APPLICATION

Conduit clips are mounted to structures to support EMT and rigid conduit. Provides a convenient way to align conduit to electrical boxes.

FEATURES

- Push-in attachment
- Vertical or horizontal mounting
- Combined with other Southwire fasteners to hang conduit to beams, purlins or rods

MATERIAL/FINISH

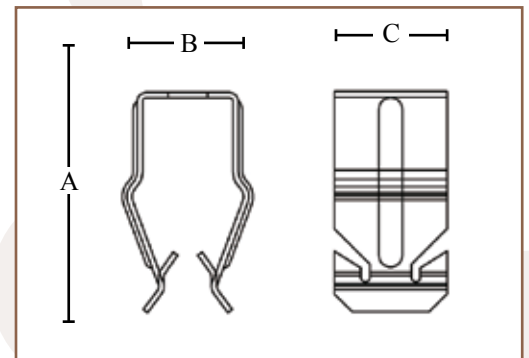
Spring Steel/GEOSEAL™

CERTIFICATIONS

UL Standard: UL 2239



12PTZ



PART #	EMT SIZE	RIGID SIZE	HOLE SIZE	HOLE TYPE	LOAD CAPACITY (LBS.)		A	B	C	BOX QTY.
					VERTICAL	HORIZONTAL				
8PTZ	1/2"	---	9/32"	Plain	25	15	1.46"	.67"	.748"	100
12PTZ	3/4"	1/2"	9/32"	Plain	25	15	1.67"	.709"	.748"	100
16PTZ	1"	3/4"	9/32"	Plain	25	15	2.37"	.787"	.63"	100

Rev. 1, 03/23

**BUILT FOR DURABILITY.
BUILT FOR RELIABILITY.
BUILT FOR WORK.™**

1-855-798-6657 | SOUTHWIRE.COM

©2023 Southwire Company, LLC. All rights reserved.
*Registered Trademark & ™Trademark of Southwire Company, LLC.