



Southwire™

FASTENERS/HARDWARE

BOTTOM SPRING NUT

APPLICATION

Manufactured for slip resistant support of components in strut system.

FEATURES

Grooved attachment nut creates a secure fit and improves traction

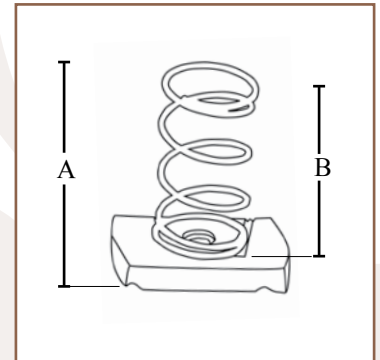
For use with 1-5/8" strut channel

MATERIAL/FINISH

Steel/Galvanized



SPRA0037EGTZ



PART #	CHANNEL TYPE	ROD SIZE	TORQUE FORCE (LBS.)	NUT THICKNESS	BOX QTY.	A	B	C	D
SPRA0025EGTZ	A & B	1/4" – 20	13	.21"	100	1.79"	1.58"	1.35"	.741"
SPRA0037EGTZ	A & B	3/8" – 16	22	.34"	100	1.95"	1.61"	1.35"	.72"
SPRA0050EGTZ	A & B	1/2" – 13	40	.449"	100	2.02"	1.57"	1.34"	.747"
SPRC0025EGTZ	C	1/4" – 20	13	.222"	100	1"	.778"	1.35"	.73"

Rev. 0, 03/23

**BUILT FOR DURABILITY.
BUILT FOR RELIABILITY.
BUILT FOR WORK.™**

1-855-798-6657 | SOUTHWIRE.COM

©2023 Southwire Company, LLC. All rights reserved.
*Registered Trademark & ™Trademark of Southwire Company, LLC.