



***southwiretools.com***



**1-855-SW-TOOLS**  
Toll Free Technical Help  
Assistance technique gratuite  
Línea de Ayuda Técnica Gratuita

Product distributed by/Produit distribué par  
Southwire Company, LLC.  
One Southwire Drive, Carrollton, GA 30119  
©2019 Southwire Company, LLC.  
All rights reserved. Tous droits réservés.

02/20 (CTR-12 / CTR-22)

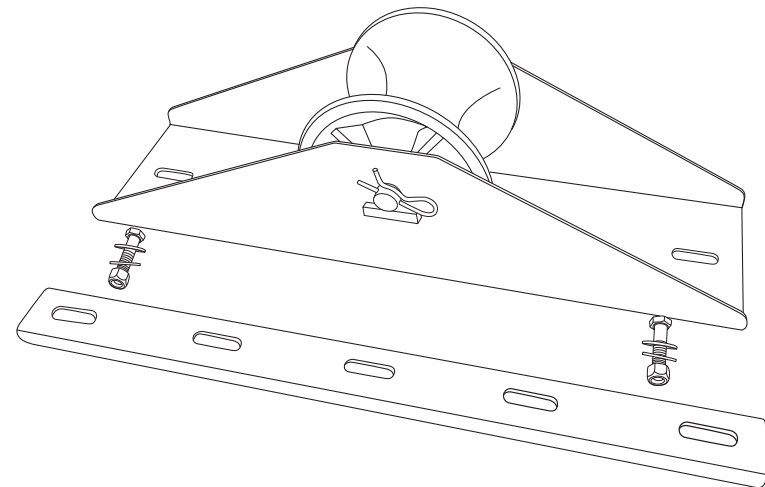


**Southwire**<sup>™</sup>

TOOLS & EQUIPMENT

## **OPERATING INSTRUCTIONS**

### **Small Tray Sheave 12" and Large Tray Sheave 22" (CTR-12 / CTR-22)**



**READ AND UNDERSTAND ALL OF THE  
INSTRUCTIONS AND SAFETY INFORMATION IN  
THIS MANUAL BEFORE OPERATING OR  
SERVICING THIS TOOL**



## TABLE OF CONTENTS

Important Safety Information.....	2-5
Description of Operation.....	5
Identification.....	6
Setup and Operation.....	7
Inspection.....	7
Specifications.....	8
Warranty.....	9-10

## SAFETY FIRST

---

Safety is essential in the use and maintenance of Southwire Contractor Equipment. This instruction manual and any markings on the tool provide information for avoiding hazards and unsafe practices related to the use of this tool. Observe all the safety information provided.

## SAFETY ALERT SYMBOLS

---

**These symbols** are used to call attention to hazards or unsafe practices related that could result in injury or property damage. The three safety words defined below indicate the severity of the hazard. The message after the signal word provides information for preventing or avoiding the hazard.



**DANGER** - Immediate hazards that if not avoided WILL result in severe injury or death



**WARNING** - Hazards that if not avoided COULD result in severe injury or death



**CAUTION** - Hazards or unsafe practices that, if not avoided MAY result in severe injury or death

## IMPORTANT SAFETY INFORMATION

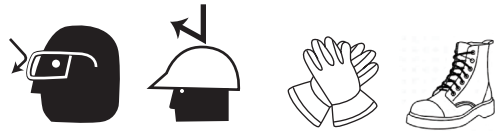


### **⚠️ WARNING**

- Read and understand all instructions and safety information in this manual before operating or servicing this tool.

**FAILURE TO OBSERVE THESE WARNINGS CAN RESULT IN SEVERE INJURY OR DEATH.**

### **⚠️ WARNING:** Personal Safety Hazards



- Only qualified persons should use the CTR-12 (Small Tray Sheave 12”) and CTR-22 (Large Tray Sheave 22”)
- Wear eye protection, hard hat, cut resistant gloves and safety toe shoes when using this tool.
- Do not use tool while tired or under the influence of drugs, alcohol, or medication.
- Keep body parts and loose clothing away from moving parts.
- Always follow safety procedures as shown in this manual.

**FAILURE TO OBSERVE THESE WARNINGS CAN RESULT IN SEVERE INJURY OR DEATH.**

### **⚠️ WARNING:** Electrical Shock Hazards



- This is not an insulated tool, contact with live circuits could result in severe injury or death.

**FAILURE TO OBSERVE THESE WARNINGS CAN RESULT IN SEVERE INJURY OR DEATH.**

## IMPORTANT SAFETY INFORMATION

### **⚠️ WARNING :** Entanglement Hazard



- Do not operate this tool while wearing loose fitting clothing. Retain long hair.

**FAILURE TO OBSERVE THESE WARNINGS COULD RESULT IN SEVERE INJURY OR DEATH**

### **⚠️ WARNING :** Tool Use Hazards

- Use this tool for the manufacturers intended purpose only. Use other than that described in this manual can result in injury or property damage.
- Always follow the cable tray manufacturer’s instructions and cable manufacturer’s instructions when pulling cable in cable tray.
- Read and follow all operating instructions in manual provided with the cable puller you intend to use in cable tray.
- Only qualified persons should use the CTR-12 (Small Tray Sheave 12”) and CTR-22 (Large Tray Sheave 22”)

**FAILURE TO OBSERVE THESE WARNINGS CAN RESULT IN SEVERE INJURY OR DEATH**

### **⚠️ CAUTION**

- Read and understand all the instructions and safety information in this manual before operating or servicing this tool.

**FAILURE TO OBSERVE THESE WARNINGS CAN RESULT IN SEVERE INJURY OR DEATH**

### **⚠️ CAUTION**

- Do not use if any parts are damaged as this can cause an unsafe condition and lead to tool malfunction or failure.

### ***IMPORTANT SAFETY INFORMATION***

- If tool is in disrepair, **DO NOT USE**. Have tool inspected and repaired prior to use.

**FAILURE TO OBSERVE THESE CAUTIONS CAN RESULT IN INJURY OR PROPERTY DAMAGE**

### ***Purpose of this Manual***

This manual is intended to familiarize all personnel with the safe installation and operation of the following Southwire Tools and Equipment: CTR-12 (Small Tray Sheave 12") and CTR-22 (Large Tray Sheave 22")

Keep this manual available to all personnel. Replacement manuals are available upon request at no charge at [www.southwiretools.com](http://www.southwiretools.com).

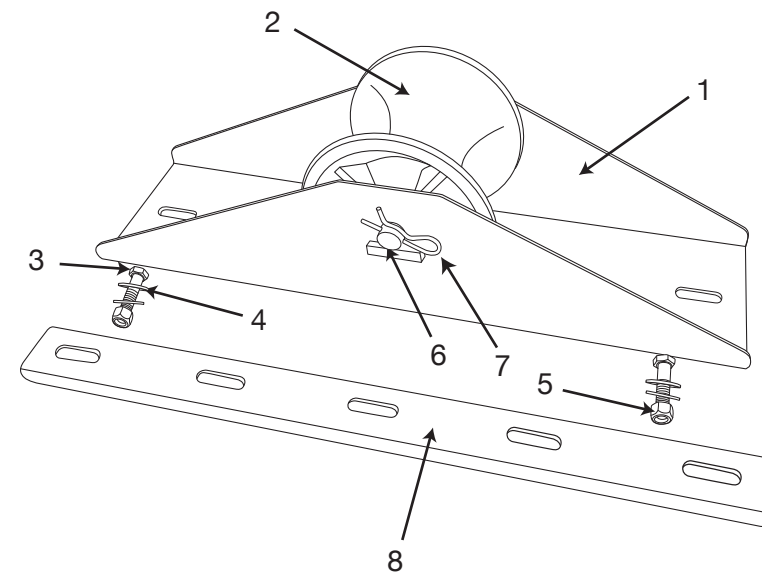
### ***Description of Operation***

The CTR-12 and CTR-22 are small and large tray sheaves designed to help make cable tray pulls easier by helping to guide and roll cable through cable tray.

### ***IDENTIFICATION***

CTR-12 and CTR-22

1. Tray Frame Housing
2. Aluminum Sheave
3. Hex Bolt
4. Flat Washer
5. Hex Nut
6. Sheave Locking Pin
7. Hairpin Cotter Safety Pin
8. Clamping Bar



## **SETUP AND OPERATION**

---

1. Establish location where the CTR-12 or CTR-22 is going to be placed on the cable tray. ALWAYS place the tray sheave on the top side of cable tray.
2. Once location has been established, secure the tray frame housing (1) to the cable tray by using two flat washers (4) and inserting the two hex bolts (3) into two of the predrilled holes on the frame. ALWAYS make sure there are at least two cable tray rungs between the two hex bolts (3).
3. Install clamping bar (8) to the bottom of the cable tray by aligning the holes in the clamping bar with the hex bolts (3) and install two flat washers (4) and two hex nuts (5) by screwing them into place. ALWAYS make sure that the clamping bar (8) does not extend past either side of the tray frame housing (1).
4. Check that the sheave locking pin (6) is installed and the hairpin cotter safety pin (7) is properly installed to secure the aluminum sheave (2) in place.
5. You are now ready to begin your cable tray pull.

## **INSPECTION**

---

1. Inspect all castings for cracks, replace if damaged.
2. Inspect all rollers for damage, replace if damaged.
3. Inspect securing clamp hardware for damage, replace if damaged.
4. For parts, contact Southwire Tools and Equipment at 1.855.SW.Tools

## **SPECIFICATIONS**

---

- Model#: CTR-12
  - Stock #: 67587540
  - Length: 12.00 inches
  - Width: 7.00 inches
  - Height: 6.25 inches
  - Weight: 11.00 lbs.
  - Maximum tray rung spacing (including tray rungs): 9.5''
- 
- Model #: CTR-22
  - Stock #: 67587740
  - Length: 22.00 inches
  - Width: 7.00 inches
  - Height: 6.25 inches
  - Weight: 17.00 lbs.
  - Maximum tray rung spacing (including tray rungs): 19.5''

## WARRANTY ON SOUTHWIRE CONTRACTOR EQUIPMENT

### What Does This Warranty Cover?

#### Five-Year Limited Warranty on Contractor Equipment

Under Southwire's Contractor Equipment 5-Year Limited Warranty, Southwire Company, LLC warrants that all Southwire Contractor Equipment will be free from manufacturer defects for a period of five (5) years from the date of the original end user's purchase. However, electrical components and consumable parts such as ropes, blades, dies, draw studs, grips, are excluded from this 5-Year Limited Warranty and are subject to the One -Year warranty terms. Under this 5-Year Limited Warranty, the following are also excluded and Southwire Company, LLC will have no liability for any of the following: normal wear and tear resulting from product use and damage arising out of misuse, abuse, modification, and improper product maintenance. This warranty also does not cover Southwire Contractor Equipment products that have been modified by any party other than Southwire Company, LLC or its authorized third party designee. This 5-Year Limited Warranty is not transferrable to or enforceable by any person other than the product's original end user.

#### One-Year Limited Warranty on Electrical Components and Consumable Parts (with 5-Year warranty)

Under Southwire's 1-Year Limited Warranty, Southwire Company, LLC warrants that all electrical components and consumable parts such as ropes, blades, dies, draw studs, grips will be free from manufacturer defects for a period of one-year from the date of the original end user's purchase. Under this 1-Year Limited Warranty, Southwire Company, LLC will have no liability for any of the following: normal wear and tear resulting from product use and damage arising out of misuse, abuse, modification, and improper product maintenance. This warranty also does not cover Southwire electrical components and consumable parts that have been modified by any party other than Southwire Company, LLC or its authorized third party designee. This 1-Year Limited Warranty is not transferrable to or enforceable by any person other than the product's original end user.

#### Exclusion of Incidental, Consequential, Indirect, Special and Punitive Damages

SOUTHWIRE MAKES NO WARRANTY THAT SOUTHWIRE CONTRACTOR EQUIPMENT PRODUCTS WILL BE MERCHANTABLE OR FIT FOR ANY PARTICULAR PURPOSE. SOUTHWIRE MAKES NO OTHER WARRANTY, EXPRESSED OR IMPLIED, OTHER THAN THE RELEVANT WARRANTY SPECIFICALLY SET FORTH IN THIS WARRANTY SECTION. SOUTHWIRE WILL NOT BE LIABLE FOR ANY INCIDENTAL, CONSEQUENTIAL, INDIRECT, SPECIAL, OR PUNITIVE DAMAGES FOR ANY BREACH OF THIS LIMITED LIFETIME WARRANTY.

*Some states do not allow the exclusion or limitation of incidental or consequential damages, so the above limitation or exclusion may not apply to you.*

### Warranty Claim Information/How Do You Get Service?

For all warranty, customer service, and product return authorizations and inquiries, please contact Southwire's Tools & Assembled Products at:  
Southwire Tools & Assembled Products  
840 Old Bremen Road  
Carrollton, GA, 30117  
Phone Number: 1.855.SW.Tools

1. All warranty claims must be approved by Southwire's Tools & Assembled Products Warranty Department prior to return of product. If Southwire determines that a product is defective, Southwire will, at its option, repair or replace defective products or defective product components, free of charge.
2. Upon approval, Southwire will issue a Product Return Authorization Form which will include instructions on how and where to return the product. **The product serial number and the original date of delivery must be set forth on the Product Return Authorization Form.**
3. Southwire will cover standard freight charges (Ground Courier Rate) incurred in connection with products that Southwire ultimately determines to be defective.
4. All defective components and defective products that Southwire replaces under these Warranties will become Southwire's property and will be retained by Southwire.

### Repair Your Product When it is Out of Warranty

Southwire is happy to provide information about where a purchaser can send a product for repair at consumers' own expense, please contact 1.855.SW.tools or visit [www.southwiretools.com/tools/home.do](http://www.southwiretools.com/tools/home.do) for more information about servicing for Southwire Products.