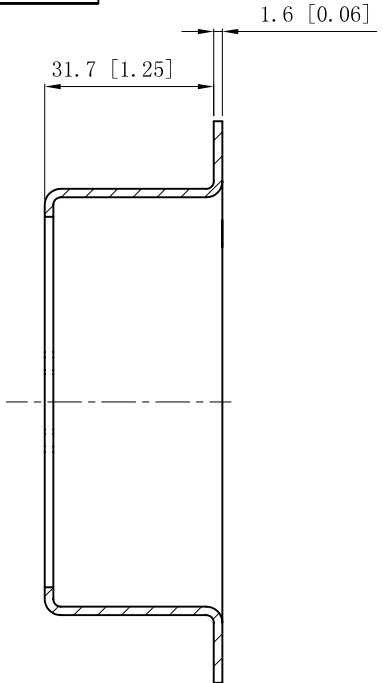
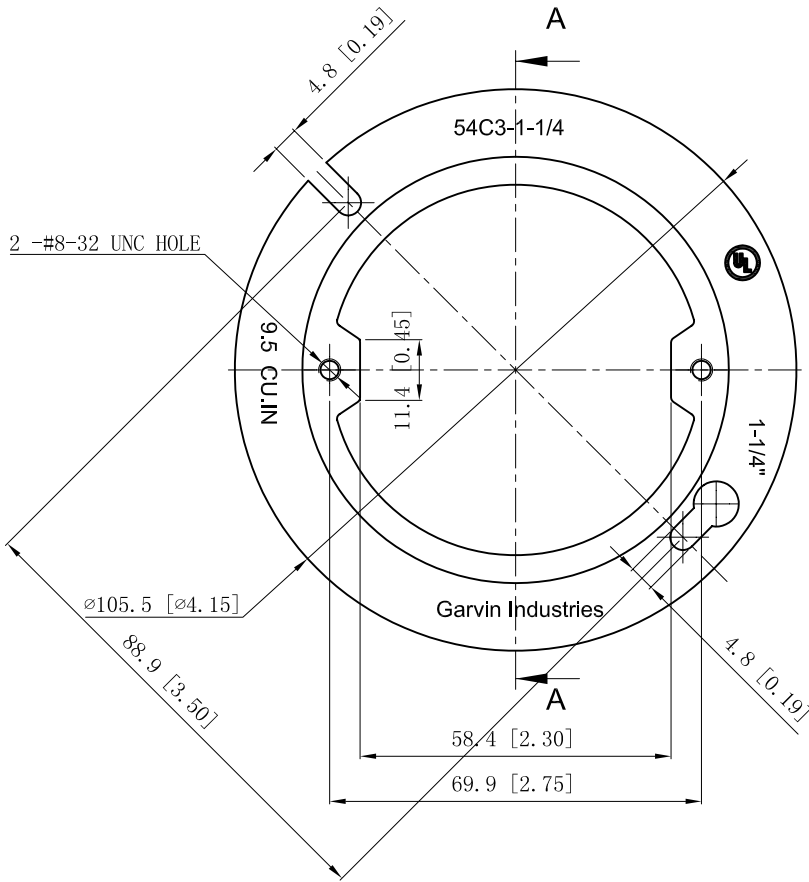


SIDES	BOTTOM

Material: Steel-0.0625"-(G60 or C. R. S) Galvanized



CUTAWAY VIEW A-A



This data sheet is for reference only .GARVIN INDUSTRIES reserves the right to make changes to the design without prior notice.

DESCRIPTION
TRADE REFERENCE TERMS

STANDARD PACKING
25 PCS

<b>GARVIN INDUSTRIES</b>	
TITLE 4"OCTAGON BOX COVERS	
SIZE A4	DWG NO. 54C3-1-1/4
DATA SHEET	
REV A	