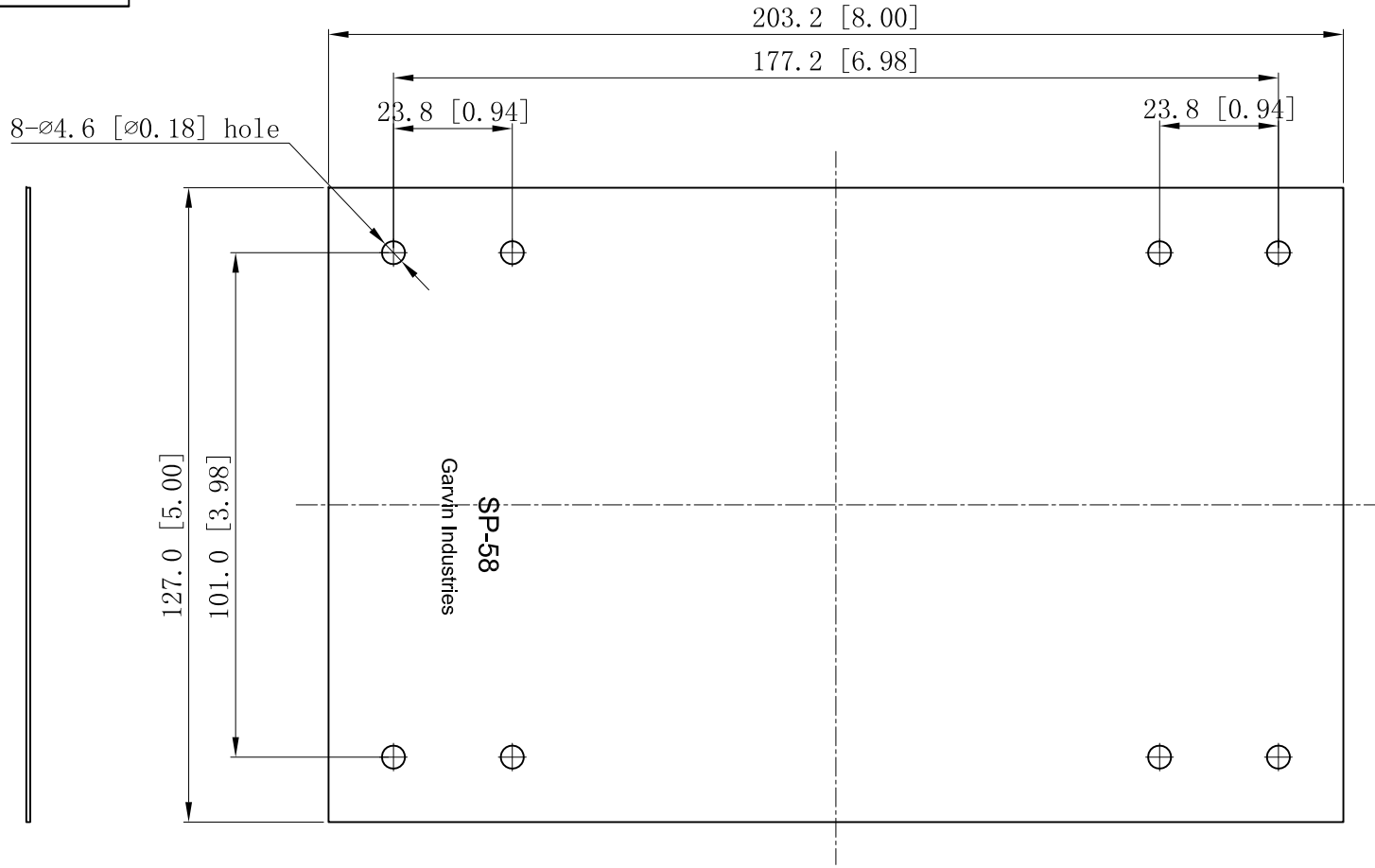


SIDES	BOTTOM
Material: Steel-0.0315"-G60 Galvanized	



This data sheet is for reference only .GARVIN INDUSTRIES reserves the right to make changes to the design without prior notice.

DESCRIPTION
TRADE REFERENCE TERMS

STANDARD PACKING
50 PCS

GARVIN INDUSTRIES		
TITLE		
SIZE	DWG NO.	REV
A4	SP-58	
DATA SHEET		