



Southwire™

BEAM/PURLIN

ANGLED PURLIN STRAP HANGER

APPLICATION

Conforms to the angle of purlin to support pipe, ducts, and other attachments with straps.

FEATURES

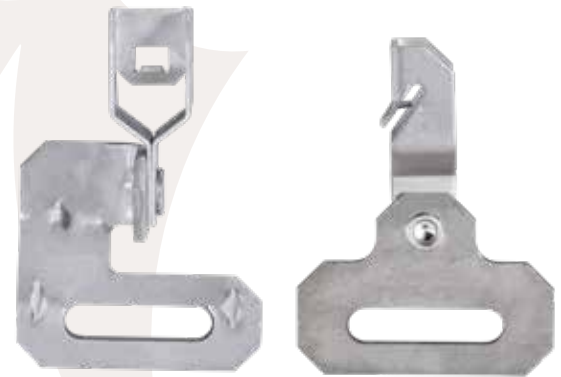
- Hammer-on installation
- 3/32" max flange thickness
- 1-1/4" max strap width

MATERIAL/FINISH

Spring Steel/GEOSEAL™
Steel/Galvanized

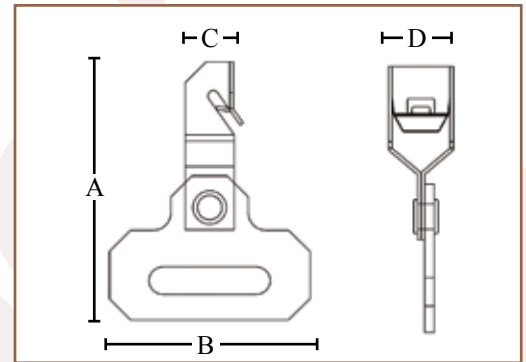
CERTIFICATIONS

UL Standard: UL 2239



MSR122TZ

MSS122TZ



PART #	STRAP DIRECTION TO BEAM	STATIC LOAD (LBS.)	A	B	C	D	BOX QTY.
MSS122TZ	PARALLEL	100	2.49"	2.24"	.539"	.708"	50
MSR122TZ	RT. ANGLE	100	3.19"	2.24"	.709"	.539"	50

Rev. 0, 03/23

**BUILT FOR DURABILITY.
BUILT FOR RELIABILITY.
BUILT FOR WORK.™**

1-855-798-6657 | SOUTHWIRE.COM

©2023 Southwire Company, LLC. All rights reserved.
*Registered Trademark & ™Trademark of Southwire Company, LLC.