



Southwire™

45° LIQUIDTIGHT CONNECTORS WITH GROUNDING LUG - MALLEABLE IRON

FEATURES

- Liquidtight, raintight, oiltight
- Aluminum or Copper Lay-in grounding lug
- Insulated throat protects conductors from abrasion damage
- Zinc electro plated for excellent durability

APPLICATION

- Use to connect liquidtight conduit and terminate an external bonding conductor that runs parallel to the conduit
- The NEC code specifies length limitations and that the bonding jumper must be parallel to the conduit
- UL listed liquidtight flexible metal conduit fittings are suitable for use in the following hazardous locations under: NEC 501-4(b), 502-4(a), (2)503-3(a) Class 1 Div.2, Class II Div.1 and 2, Class III Div.1 and 2 and are suitable for grounding in sizes 3/8" through 1-1/2" under NEC 351-1

STANDARD MATERIAL

- Malleable iron
- Steel locknut
- Aluminum or Copper lug

STANDARD FINISH

- Zinc plated

CERTIFICATIONS

- UL 467 - UL 486A
- Fed. Spec: W-S-610E
- NEMA: GR 1-2017



230SGR



230CSGR



Rev. 0, 01/23

**BUILT FOR DURABILITY.
BUILT FOR RELIABILITY.
BUILT FOR WORK.™**

1-855-798-6657 | SOUTHWIRE.COM

©2023 Southwire Company, LLC. All rights reserved.
*Registered Trademark & ™Trademark of Southwire Company, LLC.



Southwire™

45° LIQUIDTIGHT CONNECTORS WITH GROUNDING LUG - MALLEABLE IRON

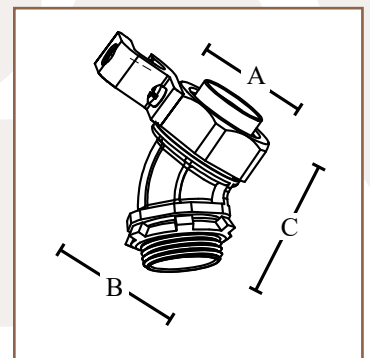
PART #	SIZE	LUG SIZE	INNER QTY.	MASTER QTY.	WEIGHT/ CASE (LBS.)	A	B	C
ALUMINUM GROUNDING LUG								
230SGR	3/8"	14-4	5	50	16	1.18"	1.39"	2.51"
231SGR	1/2"	14-4	5	50	17	1.36"	1.50"	2.51"
232SGR	3/4"	14-4	2	50	24	1.61"	1.73"	2.70"
233SGR	1"	14-4	2	20	16	1.89"	2.11"	3.05"
234SGR	1-1/4"	14-4	2	20	24	2.39"	2.56"	3.65"
235SGR	1-1/2"	14-4	2	20	26	2.62"	2.77"	4.01"
236SGR	2"	14-4	2	20	37	3.24"	3.38"	4.64"
237SGR	2-1/2"	1/0-14	---	1	8	3.89"	4.68"	6.46"
238SGR	3"	1/0-14	---	1	11	4.74"	5.33"	7.01"
239SGR	3-1/2"	6/250	---	1	12	5.31"	5.81"	7.33"
240SGR	4"	6/250	---	1	14	5.82"	6.42"	8.20"
COPPER GROUNDING LUG								
231CSGR	1/2"	14-4	5	50	17	1.36"	1.50"	2.51"
232CSGR	3/4"	14-4	5	50	24	1.61"	1.73"	2.70"
233CSGR	1"	14-4	2	20	16	1.89"	2.11"	3.05"
234CSGR	1-1/4"	14-4	2	20	24	2.39"	2.56"	3.65"
235CSGR	1-1/2"	14-4	2	20	26	2.62"	2.77"	4.01"
236CSGR	2"	14-4	2	20	37	3.24"	3.38"	4.64"



230SGR



230CSGR



Rev. 0, 01/23

**BUILT FOR DURABILITY.
BUILT FOR RELIABILITY.
BUILT FOR WORK.™**

1-855-798-6657 | SOUTHWIRE.COM

©2023 Southwire Company, LLC. All rights reserved.
*Registered Trademark & ™Trademark of Southwire Company, LLC.