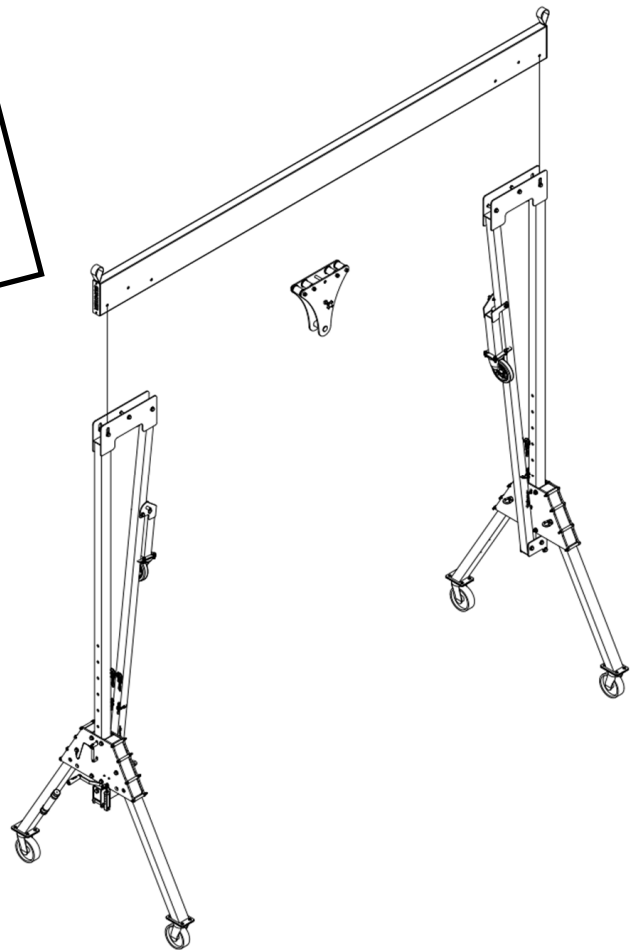

Operator's Manual GH5T Gantry Lift

WARNING!
Before operating this lift,
read and understand this
Operator's Manual.
Become familiar with the
potential hazards of this unit.
Call SUMNER
if you have any questions.



SUMNER*
A Southwire Company

USA

7514 Alabonson Road
Houston, Texas 77088
phone: 281.999.6900
fax: 281.999.6966

CANADA

75 Saltsman Drive, Unit 5
Cambridge, ON N3H 4R7
phone: 519.653.5300
fax: 519.653.5305

NETHERLANDS

Midden Engweg 21
NL-3882TS Putten
Netherlands
europeansales@sumner.com
phone: +31 (0) 85 489 0284

UNITED KINGDOM

Unit 3 Kempton Road
Keytec 7 Business Park
Pershore, Worcestershire
WR10 2TA, UK
phone: (44) 01386 556278
fax: (44) 01386 556776

Index

Owner's Responsibilities.....	3
Operator Safety Instructions.....	4
Inspect the Equipment.....	4
Work Area Hazards.....	5
Operating Procedure.....	5-9
Unpacking the Lift.....	5-6
Moving Lift (no Load).....	6
Moving Lift (with Load).....	6
Reversing the Forks.....	7
Lifting and Lowering Loads.....	7
Using the Stabilizer Legs.....	7-8
Folding the Base Legs.....	8
Storing the Forks.....	8-9
Loading into Vans/Trucks.....	9
Mast Hold Down Bar.....	9
Options.....	10-11
Safety Brakes.....	10
Fork Extensions.....	10
Boom.....	10-11
Specifications.....	11
Load Capacity.....	11-12
Lift Diagram.....	12
Maintenance Instructions.....	13-14
Troubleshooting.....	14-15
Maintenance Record.....	16

OWNER'S RESPONSIBILITIES

Throughout this publication, the words **WARNING**, **CAUTION** and **IMPORTANT** will be used to alert the user to special instructions concerning a particular operation that may be hazardous if performed incorrectly or carelessly.

OBSERVE THEM CAREFULLY !!



WARNING Hazards or unsafe practices which could result in severe personal injury or death.



CAUTION Hazards or unsafe practices which could result in minor personal injury, product or property damage.



IMPORTANT Indicates information or instructions that are necessary for proper operation and/or maintenance.

Introduction

Thank you for choosing Sumner's GH5T Gantry Lift to meet your material lifting needs. The GH5T Gantry Lift has a load capacity of 5 metric tons (10,000 kg) or 11,000 lbs. Following proper procedures for use and maintenance of Sumner's GH5T Gantry Lift described in this manual will provide you with years of dependable service.

Gantry Components

Sumner's GH5T Gantry Lift Consists of the below components. Before attempting to assemble Gantry Lift be certain that all components are available.

- 2 A-Frames
- Cross Beam (4m, 5m, 12' or 15')
- Trolley
- Attaching Hardware (6 bolts, 6 nuts & 12 washers)

OPERATOR SAFETY INSTRUCTIONS

1. Inspect the Equipment



IMPORTANT

Read and understand this instruction manual prior to operating or performing maintenance on this lift!

1. **ALWAYS** Inspect all equipment prior to use to make certain it is in proper working order.
2. **NEVER** use unit if any part of equipment appears damaged or does not assemble properly.
3. **ALWAYS** use only Sumner replacement parts. Any replacement parts not supplied by Sumner Manufacturing will severely compromise the quality and safety designed into this unit as well as invalidate the warranty.
4. As a precaution, **ALWAYS** wear proper clothing when operating unit, including hard hat, work gloves and safety shoes.
5. **ALWAYS** avoid horseplay around equipment, and keep bystanders at a safe distance. Do not allow children to operate this unit and always keep them out of work areas.
6. **NEVER** misuse the unit. Perform only the functions for which the unit is designed. Never attempt to operate the equipment at more than the recommended capacity.
7. No riders on unit. This unit was designed for material lifting purposes **ONLY** and is not designed to function as a personnel lift or carrier.

8. **NEVER** stand under an elevated load.
9. **NEVER** exceed rated load capacity.
10. **NEVER** operate during high winds or electrical storms.
11. **NEVER** use Gantry lift to support ladders or other climbing devices.
12. When possible **ALWAYS** move loads by moving the trolley on the Gantry cross beam while the lift is stationary with all casters locked.
13. It is not recommended to move the Gantry lift with a load. When moving the Gantry lift with a load be sure to secure trolley in center of cross beam to evenly distribute the weight across the unit and lower load as close to the ground as possible. Move lift by pushing the Gantry, not the load.
14. **NEVER** leave a load on the Gantry lift unattended.
15. **ALWAYS** adjust A-frame heights prior to attaching a load and make certain cross beam is level prior to attaching a load. See instructions in this manual on how to adjust A-frame heights.
16. **NEVER** adjust A-frame heights without first securing trolley to center of cross beam.
17. **ALWAYS** use Gantry lift on a hard, level, smooth surface that is free of debris and obstructions. Be certain the surface the Gantry is on can support the full weight of the intended load.
18. **NEVER** move a fully assembled Gantry lift using a fork lift or other lifting device.
19. **NEVER** use Gantry lift as an electrical ground.
20. **ALWAYS** ensure load is not secured to the ground before attempting to lift it.

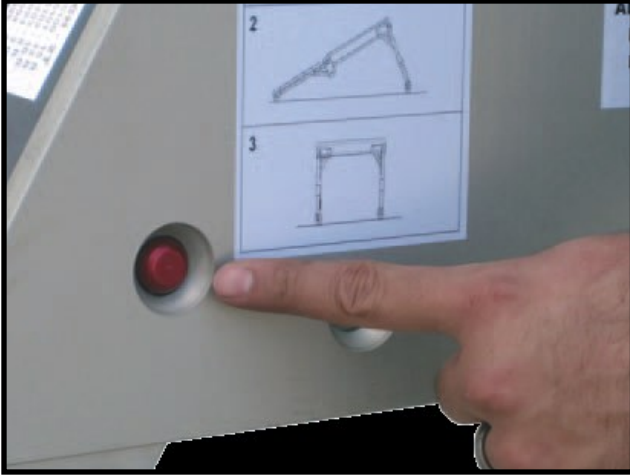
GH2T Gantry Lift Assembly

The following tools are required to properly assemble the GH5T Gantry Lift:

- 1" wrench
- 1" socket wrench
- Ladder

1. Erect A-Frame

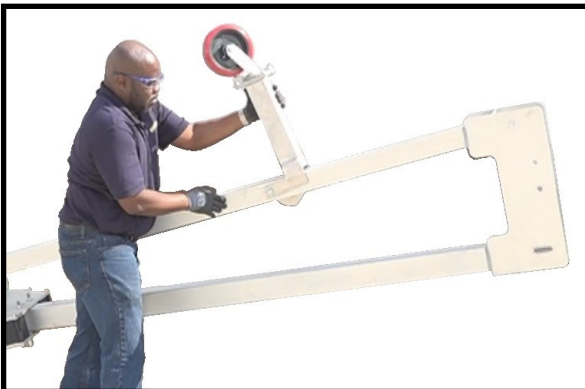
Begin with the A-frames lying flat on the ground. Assemble Gantry following instructions below.



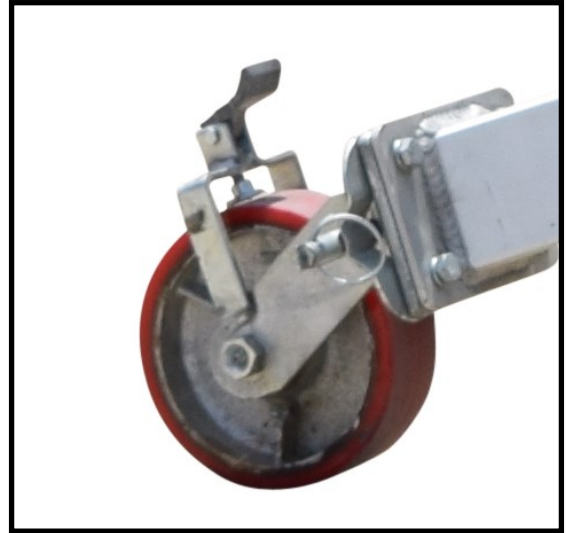
1. To extend one leg push the red leg locking button. The leg is now free to extend. Always support the weight of the leg while pressing the button.



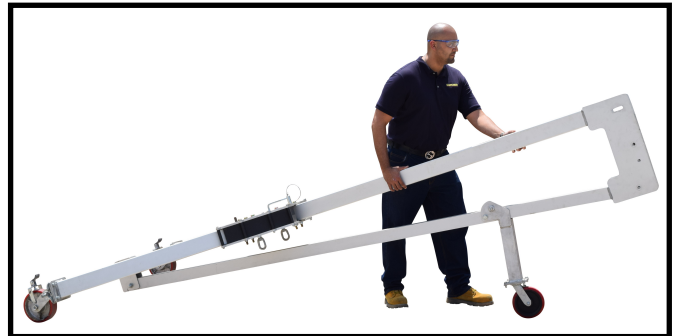
2. Extend one leg until the button clicks in place locking the leg in the open position.
3. Roll Over the A-Frame so that the Support Leg in facing up. Pull spring loaded plunger ring and extend Support Leg until the plunger locks.



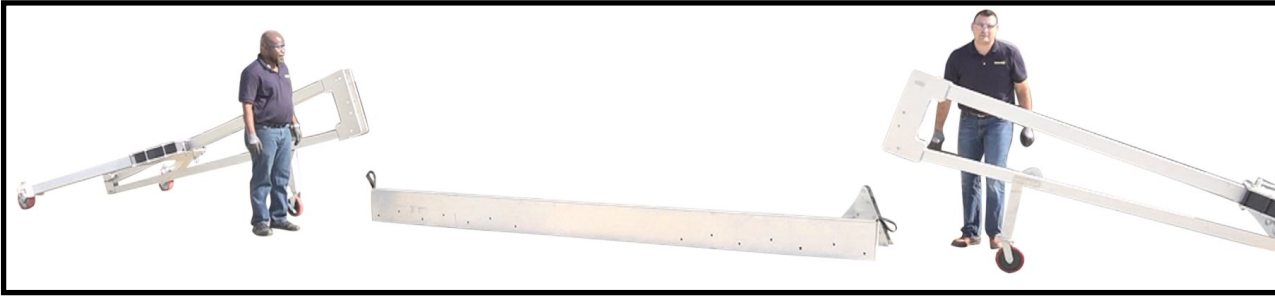
4. Roll over the A-Frame onto the Support Leg. Extend the second A-Frame leg as shown in step 2.
5. Casters can be locked at 90 degree angles to the A-Frame to make transporting easier.



6. The A-Frame can now be transported using the casters on the three legs.



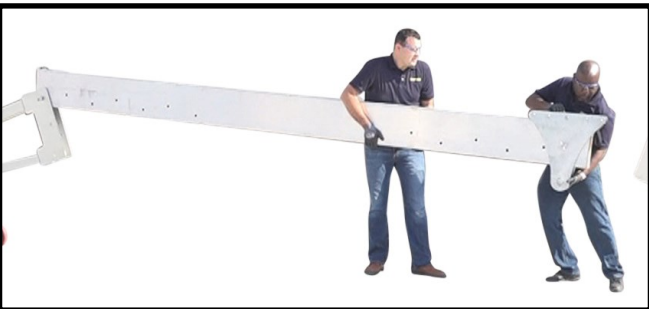
2. Assemble Components



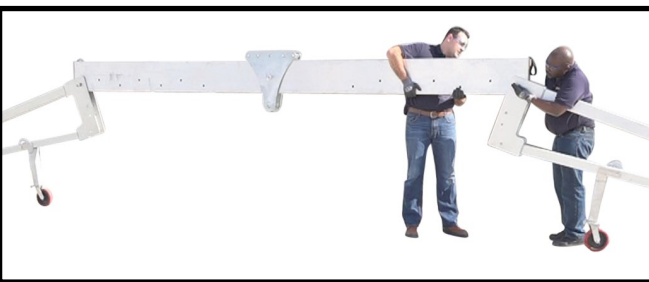
1. Lay out cross beam in a cleared area. Position one A-Frame at either end of the cross beam as shown.



2. Lift one side of cross beam onto A-frame saddle and line up outside bolt hole on A-frame with the outer most bolt hole on cross beam. Place bolt through bolt hole on A-frame and cross beam with washers on either side of the bolt. Loosely tighten so A-frame/Cross Beam joint can swivel when A-frame is erected.

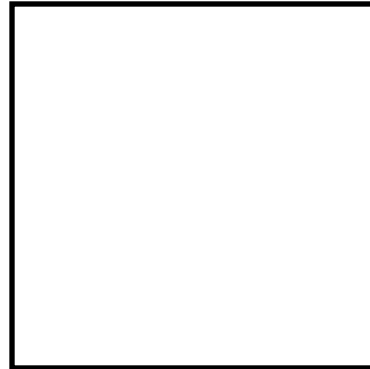


3. Place trolley onto the opposite end of the cross beam. Center trolley on cross beam and tighten with set screws.

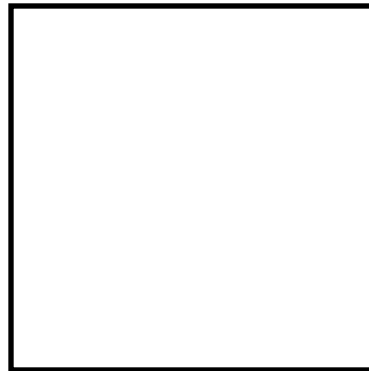


4. Lift opposite cross beam end and position onto second A-frame saddle lining up outside bolt hole on A-frame with outer most bolt hole on cross beam.

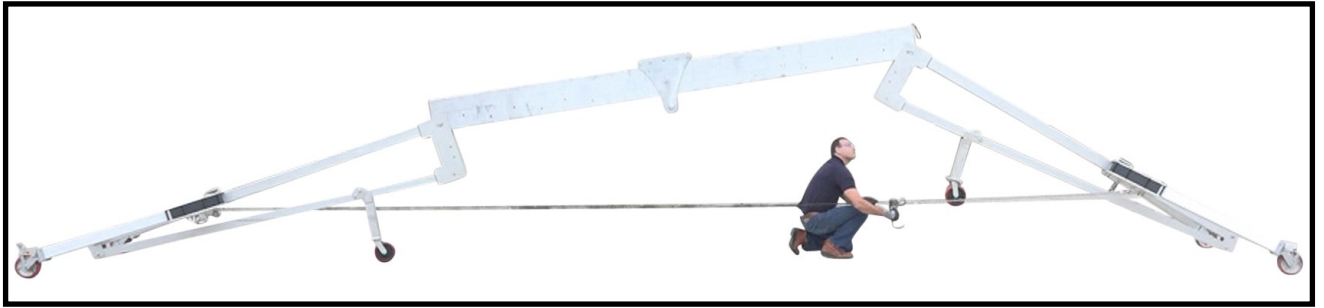
5. Place bolt through bolt hole on A-frame and cross beam with washers on either side of the bolt. Loosely tighten so A-frame/Cross Beam joint can swivel when A-frame is erected.



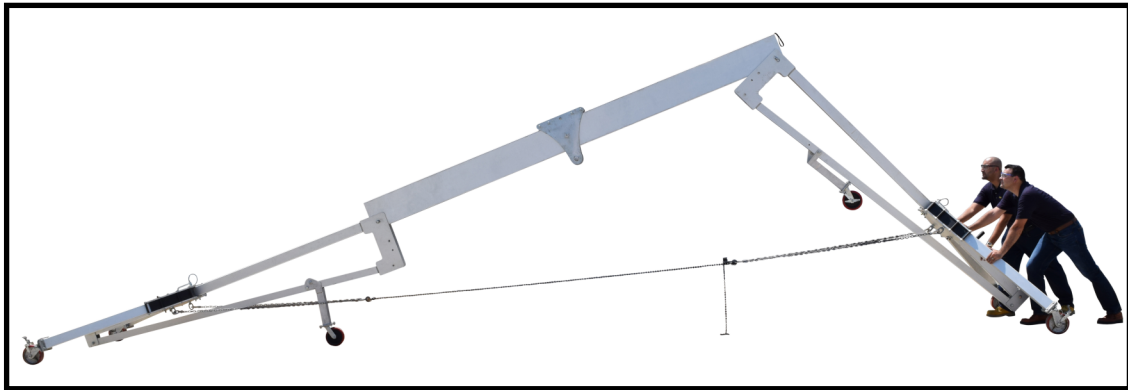
6. The supplied Chain Set and Hoist will be required to erect the A-Frames.



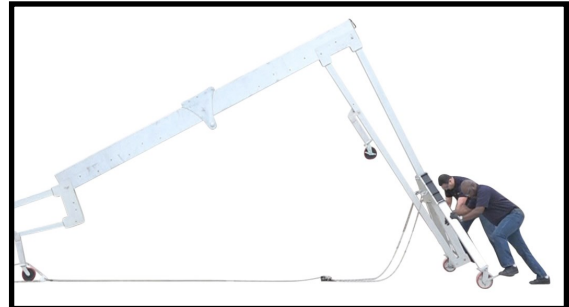
7. Attach the end most hooks on the Chain Sets to the eyelets on each A-Frame.
8. Attach the Hoist to the Spreader Plates on each Chain Set.




9. Using the supplied Hoist, raise one of the A-Frames. It does not matter which side raises first.
10. Continue using hoist until either the Cross Beam is fully seated in the A-Frame Saddle or until the unit has reached a position that allows for easy manual positioning of the A-Frame assembly as shown below.



11. When the Cross Beam is firmly seated in the A-Frame Saddle, lock both casters by setting the rolling brake.
12. Using a ladder, place two bolts through the A-Frame and Cross Beam using washers on both sides. Tighten all three bolts to that the connection is secure.





CAUTION
Be certain both casters A-Frame are locked before erecting

13. Reposition hooks on the Chain Set to the inner most hooks.
14. Using Hoist, raise second A-Frame and secure in the same manner as described above.
15. After bolting the Cross Beam to both A-Frames, ensuring that all bolts are tight, remove Chain Sets and Hoist and place in carrying bag for storage.



3. Gantry Height Adjustment

1. The GH5T comes equipped with an internal winch in each A-Frame assembly for raising and lowering the unit.



CAUTION
NEVER attempt to adjust the height while the lift is holding a load.



CAUTION
Be certain trolley is centered and held in place with set screws before attempting to adjust A-frame height.



2. To raise/lower the GH5T turn the winch handle clockwise 1/4 to 1/2 turn to release the pressure on the Height Locating Pin.
3. Raise the Height Locating Pin and pull completely out of A-Frame.
4. Turn the winch handle clockwise (to raise) or counter clockwise (to lower) the A-Frame to the desired position.
5. When desired position is reached, align holes in the Upright Support with the holes in the A-Frame.

6. Re-insert Height Locating Pin until it stops making sure it drops down into the slotted keyway in the A-Frame.
7. Turn the winch handle counter clockwise 1/4 to 1/2 turn to place the weight of the GH5T on the Height Locating Pin.



CAUTION
Be certain to check that lift is level after adjusting A-frame heights before attempting to add a load.



WARNING
Never attempt to lift a load without both Height Locating Pins installed.

4. Moving Gantry Lift



CAUTION
It is not recommended to move Gantry lift with a load. When moving Gantry lift with a load be sure to secure trolley in center of cross beam and lower load as close to the ground as possible prior to moving. Move lift by pushing the Gantry, not the load. Use caution to avoid the load swinging, possibly hitting the support

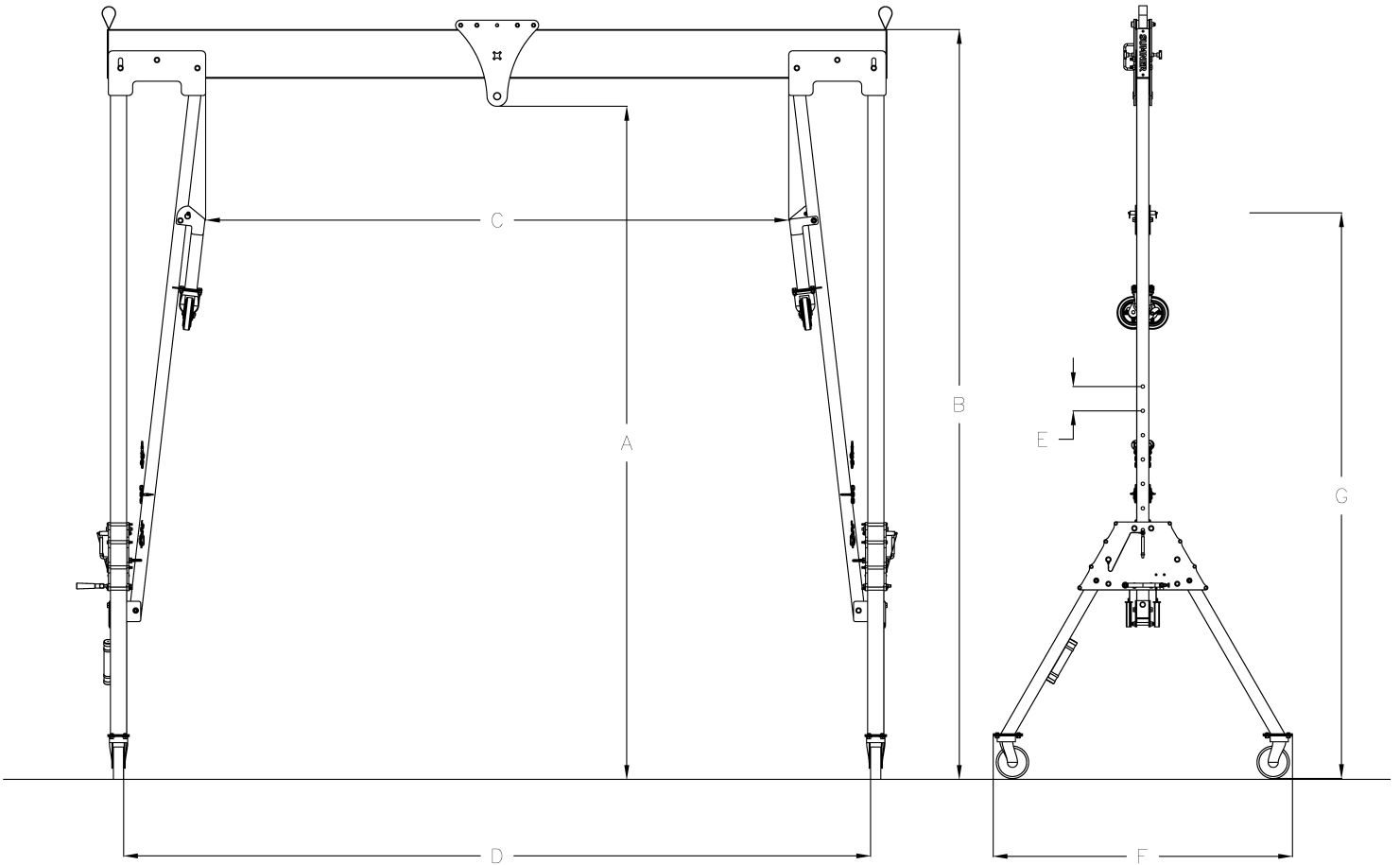


CAUTION
Never move assembled Gantry lift, with or without a load, with a forklift or other lifting mechanism.



1. Adjust A-frame heights to lowest possible position prior to moving.
2. Unlock all casters on both A-frames.
3. Gantry should be moved with at least two people, one on each end. Move by pushing or pulling on A-frames only.

GH5T GANTRY SPECIFICATIONS



Product Name	Part #	Gantry Model	A Max/Min Height to Lifting Eye	B Max Height to top of Trolley	C Max Working Span	D Span Between Wheels	E Height Adjustment	F Span Adjustment	G Max Width of "A" Frame	H Max Height of "A" Frame
GH5T	785805	GH5T (15' Beam)	168.5"	185" (469.9 cm)	132" (335.28 cm)	172" (436.88 cm)	6" (15.2 cm)	19" (48.26 cm)	75" (190.5 cm)	184" (375.9 cm)
GH5T	785806	GH5T (12' Beam)	(427.99 cm)		96" (243.84 cm)	144" (365.76 cm)				

Gantries come with two A-Frames with casters, Trolley, Cross Beam and attaching hardware.

Gantry Part #	Gantry Model	Weight		Beam Part #	Beam Model	Weight	
		lbs	kg			lbs	kg
785805	GH5T-15 (15' Beam)	689.0	312.5	785815	15'	125.0	57.0
785806	GH5T-12 (12' Beam)	664.0	301.2	785816	12'	100.0	45.0

Trolleys	
Part #	Description
785895	5T Trolley

MAINTENANCE RECORD

Lift Model Number _____

Lift Serial Number _____

Service Performed:

Action	Date
--------	------

Action	Date
--------	------

Action	Date
--------	------

Action	Date
--------	------

Action	Date
--------	------

Action	Date
--------	------

Action	Date
--------	------

Action	Date
--------	------

Action	Date
--------	------

Action	Date
--------	------

Action	Date
--------	------

Action	Date
--------	------

Action	Date
--------	------