



Southwire™

15A SINGLE OUTLET RIGHT ANGLE ADAPTERS

Provides GFCI and single mode surge protection with any appliance or tool used indoors.



14650013-6



GFCI WITH 4-6MA TRIP POINT

25MS TRIP RESPONSE TIME

MANUAL RESET

**PROVIDES COMPLIANCE WITH
NEC 2008 ARTICLE 590.6 FOR
TEMPORARY INSTALLATIONS**

**SMALL SIZE (LESS THAN 3" HIGH
AND 2" WIDE) MAKE IT PERFECT
FOR THE TOOLBOX**

**APPLICATIONS: INSTITUTIONAL AND
RESIDENTIAL**

APPLICATIONS
Power Tools
Saws
Drills
Extension Cords
Lighting

MODEL #	ELECTRICAL RATING	COLOR	RECEPTACLE COUNT
14650006-6	120V	White	Single
14650013-6	120V	Yellow	Single
14650032-6	120V	Black	Single

TECHNICAL DATA	TECHNICAL DATA 2
GROUNDING NEUTRAL	4 Ohms Typical
VOLTAGE SURGE WITHSTAND	3 Kv Ringwave Test and 4Kv/2Ka Surge Immunity Test
RADIO FREQUENCY NOISE SUSCEPTIBILITY	Operates Within Normal Limits With 0.5 Volts Injected On Power Line 150Khz-230Mhz
ENDURANCE	3,000 Operations Minimum
OVERLOAD CURRENT	Six Times Rated Current
OPERATING TEMPERATURE RANGE	-35°C to 66°C
EFFECT OF 10 AMP TURN DC SOCK FAULT TRIP	5% Maximum Trip Level Variation on Ground
INSULATION VOLTAGE	1500 Vrms - 1 Min.

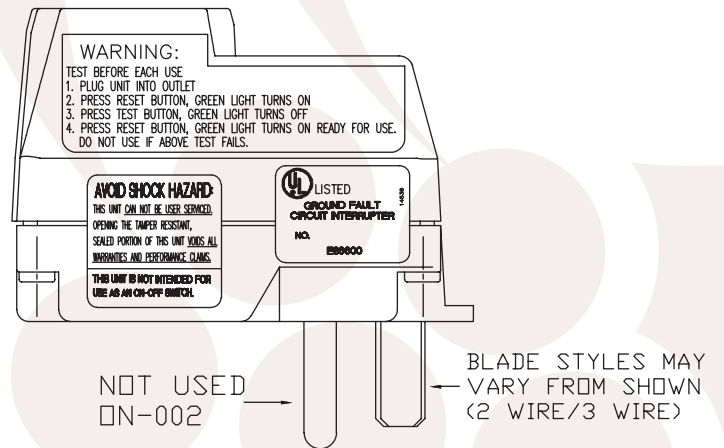
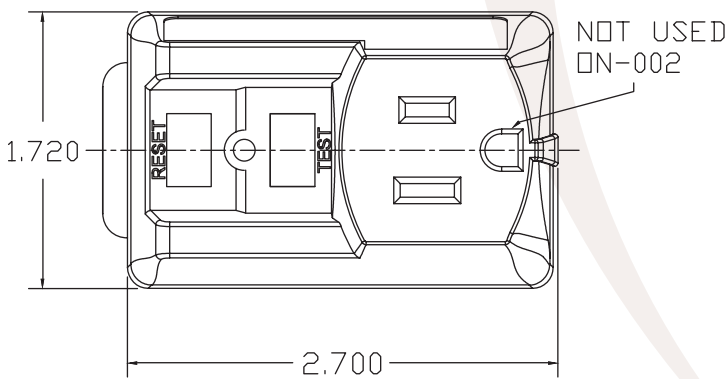
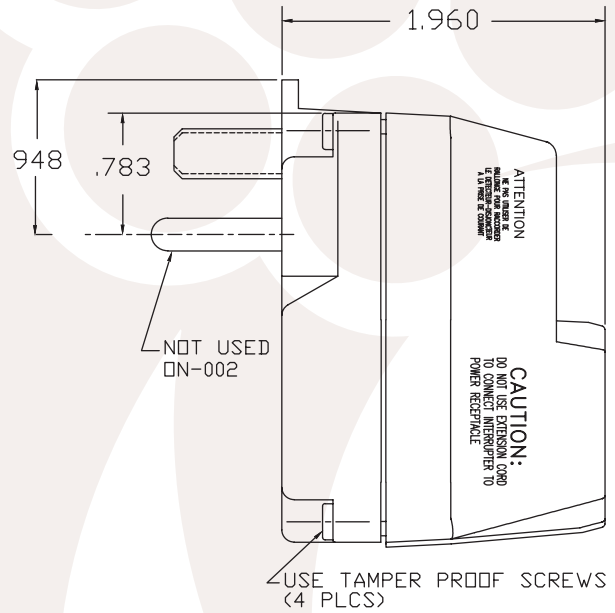
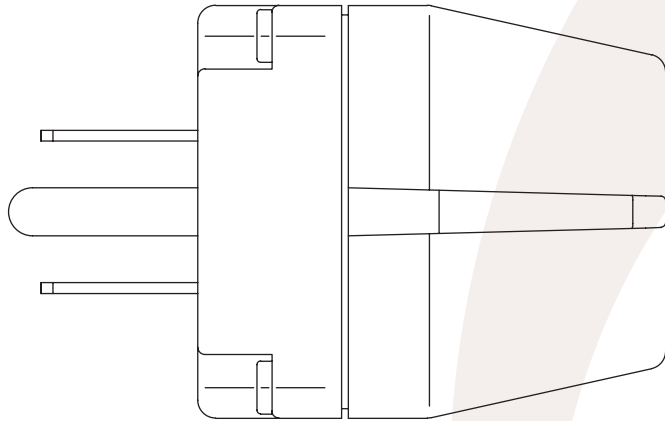
**BUILT FOR DURABILITY.
BUILT FOR RELIABILITY.
BUILT FOR WORK.™**

1-855-798-6657 | SOUTHWIRE.COM

©2023 Southwire Company, LLC. All rights reserved.
*Registered Trademark & ™Trademark of Southwire Company, LLC.



Southwire™



**BUILT FOR DURABILITY.
BUILT FOR RELIABILITY.
BUILT FOR WORK.™**

1-855-798-6657 | SOUTHWIRE.COM

©2023 Southwire Company, LLC. All rights reserved.
*Registered Trademark & ™Trademark of Southwire Company, LLC.