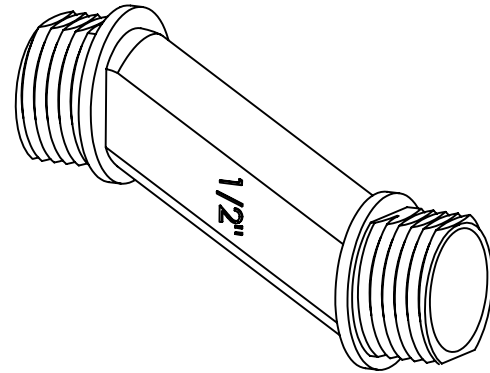
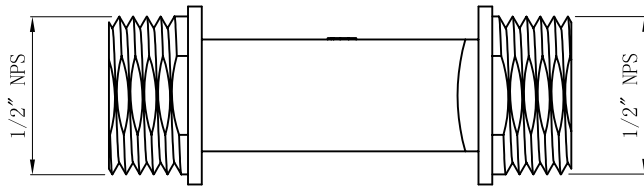
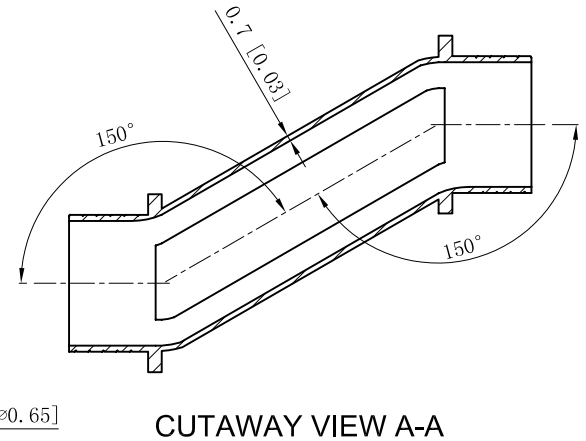
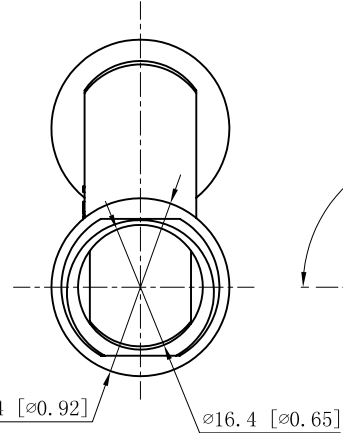
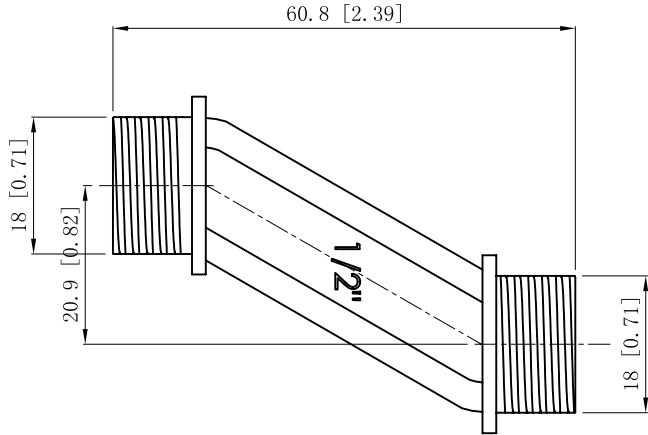
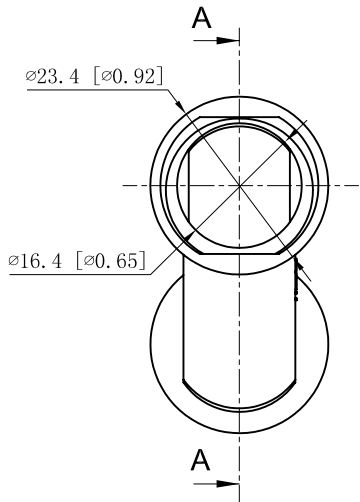


SIDES	BOTTOM
Material: ZAMAK-#3 ZAMAK	



This data sheet is for reference only .GARVIN INDUSTRIES reserves the right to make changes to the design without prior notice.

DESCRIPTION
TRADE REFERENCE TERMS

STANDARD PACKING
50/500 PCS

GARVIN INDUSTRIES		
TITLE OFFSET CONDUIT NIPPLES		
SIZE A4	DWG NO. OCN50	REV
DATA SHEET		