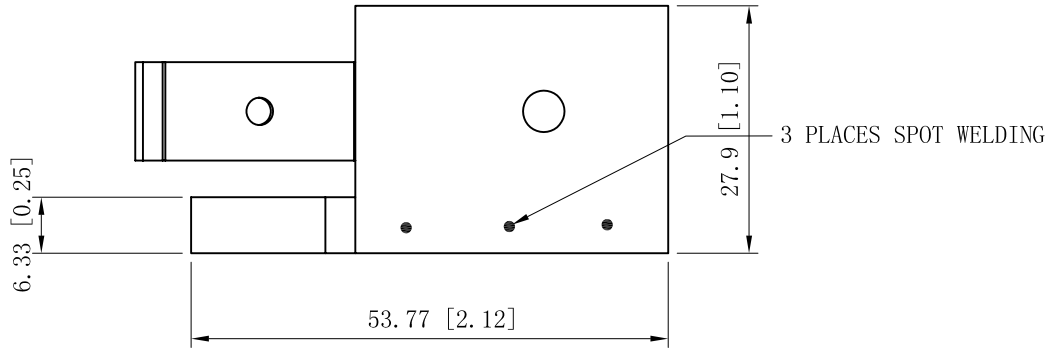
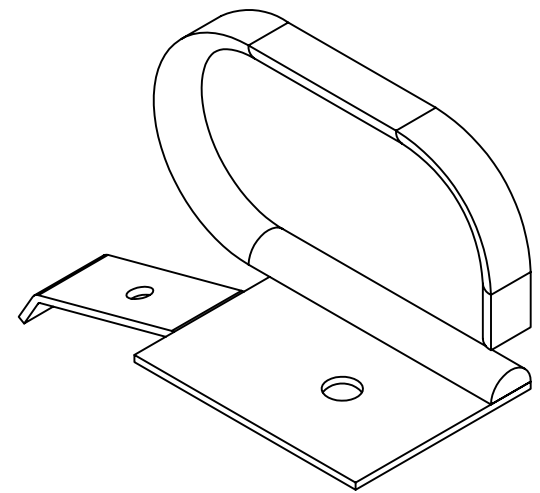
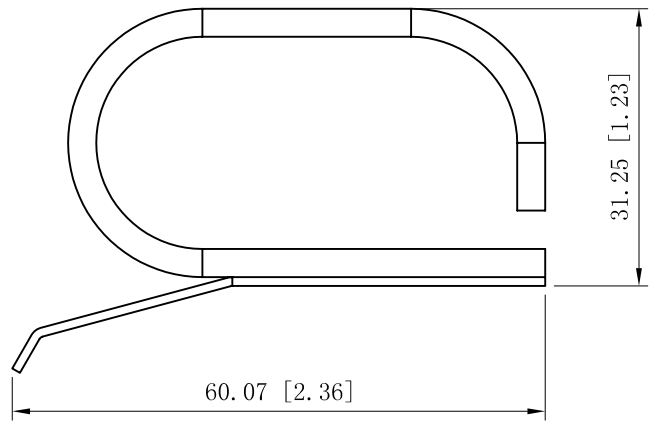


SIDES	BOTTOM
Material:Steel-0.04"-C. R. S Powder Coating Black	



DESCRIPTION
TRADE REFERENCE TERMS

STANDARD PACKING
100 PCS

This data sheet is for reference only .GARVIN INDUSTRIES reserves the right to make changes to the design without prior notice.

<b>GARVIN INDUSTRIES</b>		
TITLE BACKBOARD DISTRIBUTION "D" RINGS		
SIZE A4	DWG NO. 17BB	REV B
DATA SHEET		