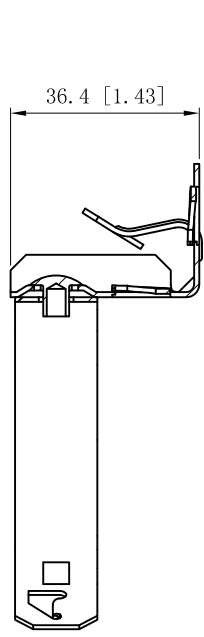
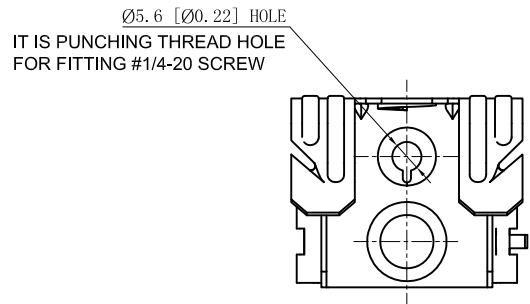
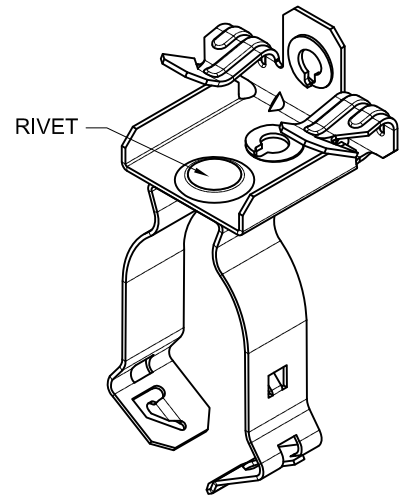
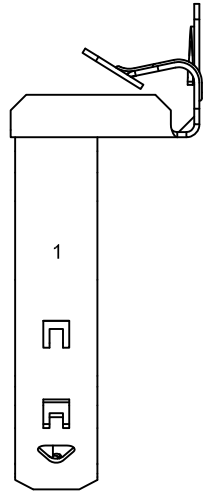
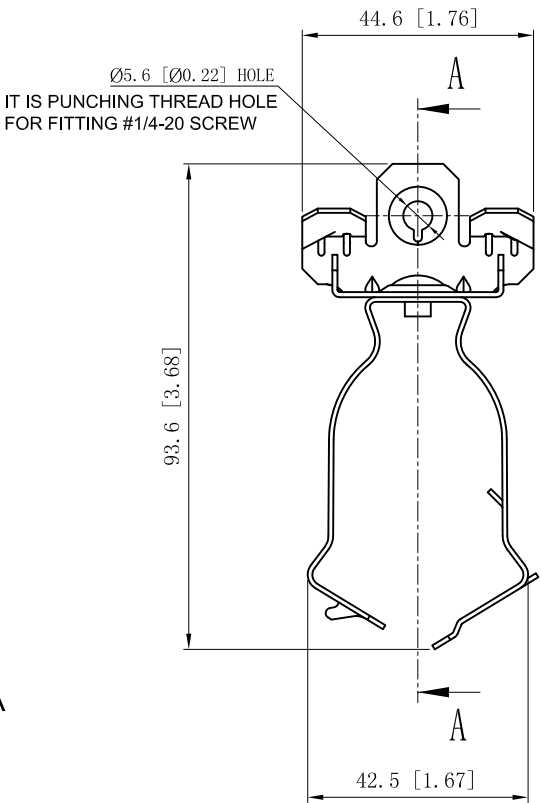


SIDES	BOTTOM
Material:Steel-0.035"-C1065 spring steel,Black oxide	



CUTAWAY VIEW A-A



This data sheet is for reference only .GARVIN INDUSTRIES reserves the right to make changes to the design without prior notice.

DESCRIPTION
TRADE REFERENCE TERMS

STANDARD PACKING
50 PCS

GARVIN INDUSTRIES		
TITLE COUDUIT HANGERS		
SIZE A4	DWG NO. BC18KC1	REV
DATA SHEET		