

INSTALLATION INSTRUCTIONS FOR LED RECESSED DOWNLIGHTS

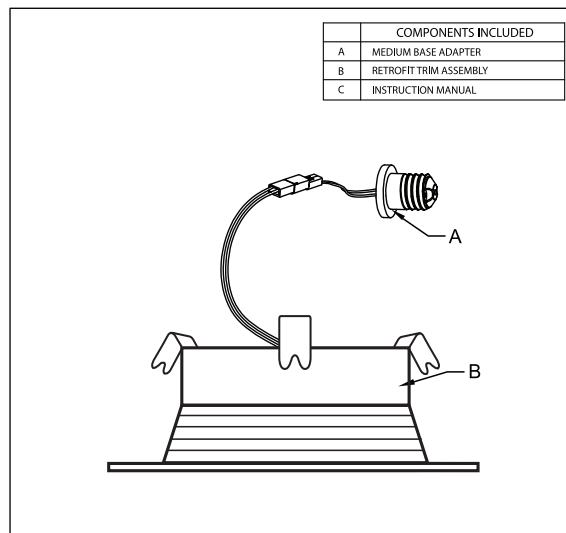
For Topaz Item: RTL/433WH/10W/D-61

Read and follow all safety instructions before beginning installation

WARNING

RISK OF FIRE OR ELECTRIC SHOCK

- This product should be installed, inspected, and maintained by a qualified electrician, in accordance with the NEC (National Electric Code) and all local codes.
- Turn off electrical power before inspection, installation or removal.
- Use only UL (or other NRTL) approved wire for input/output connections.
- Minimum size 18 AWG or 14 AWG for continuous runs.
- Make sure LEDs and drivers are cool to touch when performing maintenance.
- Ensure correct supply voltage; electrical rating of this product is 120VAC
- Do not install in a hazardous atmosphere, only where the ambient temperature does not exceed the rated operating temperature of the fixture.
- This device is not intended for use with emergency exits
- Suitable for damp or dry location
- LED recessed trim will retrofit into most existing 4 inch housings.
- Minimum fixture compartment dimensions: 103mm Dia x 190mm Height



PRODUCT ELECTRIC RATING

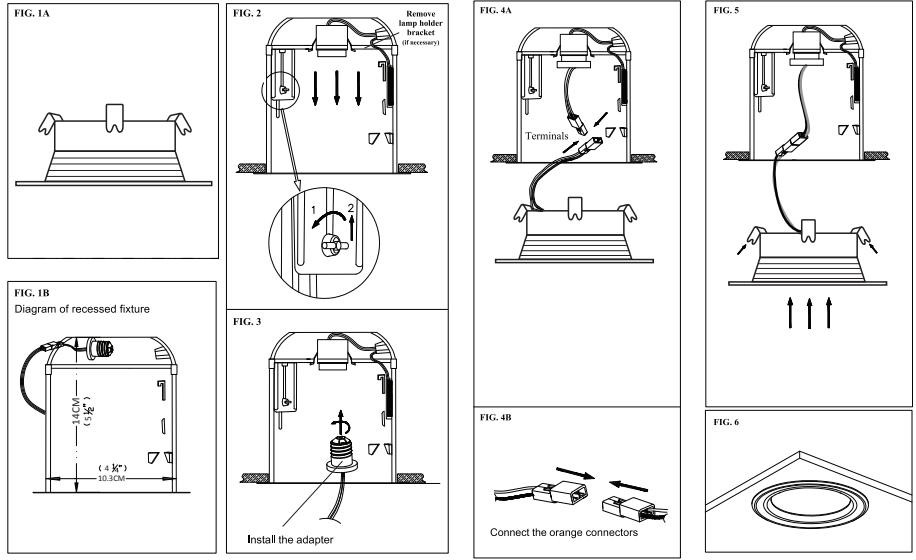
INPUT VOLTAGE / FREQUENCY	INPUT CURRENT	INPUT POWER
120V/60Hz	83mA	10W

INSTALLATION INSTRUCTIONS FOR LED RECESSED DOWNLIGHTS

For Topaz Item: RTL/433WH/10W/D-61

1. Installation into Existing Recessed Incandescent Fixture: LED recessed trim will retrofit into most existing 5 or 6" housings.

- Step 1. Turn OFF power at switch and fusebox or circuit breaker.
- Step 2. Remove existing trim installed in recessed housing (if necessary).
- Step 3. If applicable, slide lampholder bracket to its upward maximum position. If the lampholder bracket is less than 4.5 inches from the bottom edge of the fixture enclosure, the lampholder bracket must be removed.
- Step 4. If necessary, remove the lampholder and the lampholder mounting bracket (see FIG. 2), then attach the provided label to the existing luminaire.
- Step 5. Install adapter into socket (see FIG. 3).
- Step 6. Connect the orange connectors together (see FIG. 4B).
- Step 7. Insert torsion springs into fixture housing brackets (see FIG. 5).
- Step 8. Gently push up trim and torsion springs so they begin to expand and lift trim in place (see FIG. 6).



2. Installation into Existing Recessed LED Fixture with compatible orange connectors

- Step 1. Turn OFF power at switch and fusebox or circuit breaker.
- Step 2. Remove existing trim installed in recessed housing (if necessary).
- Step 3. Discard medium base adapter
- Step 4. Connect the orange connectors together (see FIG. 2B).
- Step 5. Insert torsion springs into fixture brackets (see FIG. 2A).
- Step 6. Gently push up trim and torsion springs so they begin to expand and lift trim in place (see FIG. 3).

