



Southwire™

TOP-BITE SADDLE TYPE CONNECTORS WITH INSULATED THROAT

FEATURES

- Dual gripping saddle clamps
- Saddle clamps ride up and down on screw for ease of installation
- Tri combo head screw

APPLICATION

- To connect Flex, AC, and MC cables to a box or enclosure

STANDARD MATERIAL

- 3/8" - 1" steel,
- 1-1/4" - 4" malleable iron
- Steel locknuts

STANDARD FINISH

- Zinc die cast



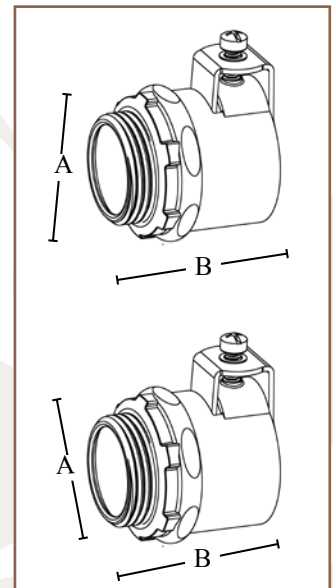
631TBS



634TBS

PART #	SIZE	KO	INNER QTY.	MASTER QTY.	WEIGHT/CASE (LBS.)	A	B
630TBS*	3/8"	1/2"	25	100	10	1.27"	1.64"
631TBS*	1/2"	1/2"	25	100	15	1.27"	1.64"
632TBS*	3/4"	3/4"	10	50	9	1.46"	1.64"
633TBS*	1"	1"	5	25	9	1.80"	1.78"
634TBS	1-1/4"	1-1/4"	5	25	14	2.24"	1.85"
635TBS	1-1/2"	1-1/2"	2	10	8	2.68"	2.40"
636TBS	2"	2"	---	5	5	3.25"	2.58"
637TBS	2-1/2"	2-1/2"	---	4	6	3.94"	2.93"
638TBS	3"	3"	---	5	11	4.53"	3.05"
639TBS	3-1/2"	3-1/2"	---	1	3	5.20"	3.82"
640TBS	4"	4"	---	1	3	5.91"	4.27"

*UL listed for MCAP/MCI-A & MCI-A HCF cables



Rev. 0, 05/23

**BUILT FOR DURABILITY.
BUILT FOR RELIABILITY.
BUILT FOR WORK.™**

1-855-798-6657 | SOUTHWIRE.COM

©2023 Southwire Company, LLC. All rights reserved.
*Registered Trademark & ™Trademark of Southwire Company, LLC.



Southwire™

TOP-BITE SADDLE TYPE CONNECTORS WITH INSULATED THROAT

UL LISTED COMPATIBLE CABLES

PART #	SIZE	CABLE TYPE	CABLE SIZE	CABLE MAX.	OPENING MIN.	WIRE BUNDLE DIAMETER MIN.	WIRE BUNDLE DIAMETER MAX.
630TBS	3/8"	AC STEEL	14/2, 14/3, 14/4, 12/2, 12/3, 12/4, 10/2 (.450-.660 DIA)	.656	.437	.350"	.370"
		AC STEEL HCF	(.450-.660 DIA)				
		AC ALUMINUM	14/2, 14/3, 14/4, 12/2, 12/3, 12/4, 10/2 (.450-.660 DIA)				
		AC ALUM HCF	(.450-.660 DIA)				
		MCI STEEL	14/2, 14/3, 14/4, 12/2, 12/3, 12/4, 10/2 (.450-.660 DIA)				
		MCI ALUMINUM	14/2, 14/3, 14/4, 12/2, 12/3, 12/4, 10/2 (.450-.660 DIA)				
		MCI-A	14/2, 14/3, 14/4, 12/2, 12/3, 12/4, 10/2, 10/3 (.400-.590 DIA)				
		MCI-A HCF	(.400-.590 DIA)				
FLEX CONDUIT	3/8"						
631TBS	1/2"	AC STEEL	12/4, 10/2, 10/3, 10/4, 8/2, 8/3, 8/4, 6/2, 6/3 (.550-.920 DIA)	.937	.750	.531"	.625"
		AC STEEL HCF	(.550-.920 DIA)				
		AC ALUMINUM	12/4, 10/2, 10/3, 10/4, 8/2, 8/3, 8/4, 6/2, 6/3 (.550-.920 DIA)				
		AC ALUM HCF	(.550-.920)				
		MCI STEEL	10/4, 8/2, 8/3 (.640-.920)				
		MCI ALUMINUM	10/4, 8/2, 8/3 (.640-.920)				
		MCI-A	12/4, 10/3, 8/4 (.520-.770)				
		MCI-A HCF	(.520-.770)				
FLEX CONDUIT	1/2"						
632TBS	3/4"	AC STEEL	6/4, 4/2, 4/3 (.930-1.075 DIA)	1.125	.906	.691"	.813"
		AC STEEL HCF	(.930-1.075 DIA)				
		AC ALUMINUM	1 8/3, 6/3, 6/4, 4/3 (.680-1.075)				
		AC ALUM HCF	(.680-1.075 DIA)				
		MCI STEEL	8/3, 8/4, 6/3, 6/4, 4/3 (.730-1.075 DIA)				
		MCI ALUMINUM	6/4, 4/3 (.930-1.075 DIA)				
		MCI-A	8/4, 6/4 (.770-1.110 DIA)				
		MCI-A HCF	(.770-1.110 DIA)				
FLEX CONDUIT	3/4"						
633TBS	1"	AC STEEL	6/4, 4/4, 4/3, 3/3, 3/2, 2/4, 2/3, 1/3 (.930-1.375)	1.468	1.250	.850"	1.000"
		AC STEEL HCF	(.930-1.375 DIA)				
		AC ALUMINUM	6/4, 4/4, 4/3, 3/3, 3/2, 2/4, 2/3, 1/3 (.930-1.375 DIA)				
		AC ALUM HCF	(.930-1.375)				
		MCI STEEL	3/4 (.960-1.375)				
		MCI ALUMINUM	6/4, 4/3, 3/4 (.960-1.375)				
		MCI-A	(.880-1.110 DIA)				
		MCI-A HCF	(.880-1.110 DIA)				
FLEX CONDUIT	1"						

Rev. 0, 05/23

**BUILT FOR DURABILITY.
BUILT FOR RELIABILITY.
BUILT FOR WORK.™**

1-855-798-6657 | SOUTHWIRE.COM

©2023 Southwire Company, LLC. All rights reserved.
*Registered Trademark & ™Trademark of Southwire Company, LLC.

Job Name/Title: _____

Model #: _____

Contractor: _____



Southwire™

TOP-BITE SADDLE TYPE CONNECTORS WITH INSULATED THROAT

UL LISTED COMPATIBLE CABLES

PART #	SIZE	CABLE TYPE	CABLE SIZE	CABLE MAX.	OPENING MIN.	WIRE BUNDLE DIAMETER MIN.	WIRE BUNDLE DIAMETER MAX.
634TBS	1-1/4"	AC ALUMINUM	1.150-1.335 DIA	1.500	1.312	1.063"	1.250"
		MCI ALUMINUM	1.200-1.635 DIA				
		FLEX CONDUIT	1-1/4"				
635TBS	1-1/2"	MCI ALUMINUM	1.490-1.820	1.750	1.562	1.275"	1.500"
		FLEX CONDUIT	1-1/2"				
636TBS	2"	MCI ALUMINUM	1.765-2.250 DIA	2.031	1.812	1.700"	2.000"
		FLEX CONDUIT	2"				
637TBS	2-1/2"	MCI ALUMINUM	2.270-2.950 DIA	3.062	2.812	2.125"	2.500"
		FLEX CONDUIT	2-1/2"				
638TBS	3"	MCI ALUMINUM	3.160-3.480 DIA	3.562	3.312	2.550"	3.000"
		FLEX CONDUIT	3"				
639TBS	3-1/2"	FLEX CONDUIT	3-1/2"	4.060	3.620	2.975"	3.500"
640TBS	4"	FLEX CONDUIT	4"	4.560	4.120	3.400"	4.000"

Rev. 0, 05/23

**BUILT FOR DURABILITY.
BUILT FOR RELIABILITY.
BUILT FOR WORK.™**

1-855-798-6657 | SOUTHWIRE.COM

©2023 Southwire Company, LLC. All rights reserved.
*Registered Trademark & ™Trademark of Southwire Company, LLC.