

LED Outdoor Security Light



Sleek & Safe

Topaz knows the value of your safety, but we also understand your reluctance to compromise on style. Our Security Lights combine crisp illumination with a sleek, clean housing. Available in bronze or white finish, these lights are sure to complement any building or home façade. Adjustable lamp heads allow light to be directed where it is needed most. Motion sensor models are available and offer 180° detection area and up to 39' range.

FEATURES

- Strong die-cast aluminum construction with impact-resistant polycarbonate lens
- Light heads can be adjusted (without tools) to direct light exactly where needed
- Mounts horizontally or vertically on standard J-box
- Available with or without motion sensor in bronze or white finish
- Motion sensor models offer:
 - 180° detection area and up to 39' range
 - Adjustable timeout, motion sensitivity, and ambient light operating threshold
 - Manual override function to temporarily disable motion detection

SUGGESTED APPLICATIONS

- Residential and commercial
- Entrances, walkways, corridors, yards, driveways and patios for egress or security lighting





Job Name/Title: _____ Catalog Number _____

Contractor: _____ Notes: _____

LED Outdoor Security Light

GENERAL SPECIFICATIONS

Input Voltage, Frequency: 120V, 50/60Hz
Power Factor, THD %: >0.9, <10%
Non-Dimmable
Efficacy: 83 LPW
Minimum CRI: 80
Functional Life (L70): 50,000 hours
Location Rating: Wet
IP Rating: IPX4
Ambient Operating Temperature: -4°F to 104°F
Mounting: Standard J-box



Motion sensor models allow for ambient light, time and motion sensitivity detection to be adjusted as needed.

ITEM SPECIFICATIONS / ORDER INFO

Item #	Order Code	UPC	Lumens	Wattage	Input Current	CCT
SL/24W/40K/BZ	72989	751338039469	2,000	24W	0.22A	4000K
SL/24W/40K/BZ/MS	72990	751338039476	2,000	24W	0.22A	4000K
SL/24W/40K/WH	72991	751338039483	2,000	24W	0.22A	4000K
SL/24W/40K/WH/MS	72992	751338039490	2,000	24W	0.22A	4000K

NOMENCLATURE

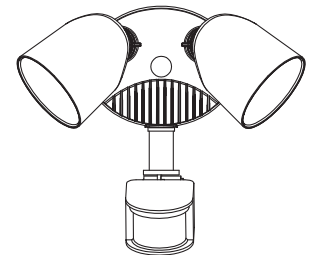
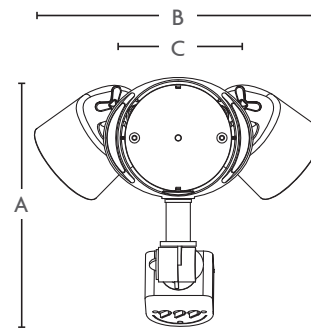
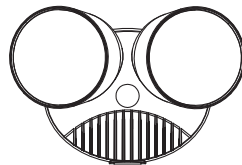
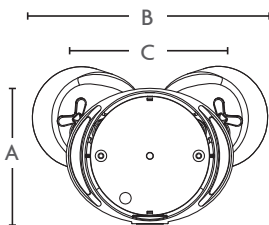
SL = Security Light / 24W = 24 Watts / 40K = 4000K / BZ = Bronze / MS = Motion Sensor
 WH = White

ENERGY SAVINGS

Catalog Number	LED Wattage	Halogen Replacement Wattage	Watts Saved	Yearly Savings	5 Year Savings
Based on 12 hours/day and \$0.11/kWh					
SL/24W/40K/xx	24W	120W (2x60W)	96W	\$46	\$231
SL/24W/40K/xx/MS	24W	120W (2x60W)	96W	\$46	\$231

DIMENSIONS / WEIGHTS

Catalog Number	(A)	(B)	(C)	Backplate	Weight
SL/24W/40K/xx	4.1"	10.2"	5.1"	5.1" x 4.1"	2.0 Lbs.
SL/24W/40K/xx/MS	8.5"	10.2"	5.1"	5.1" x 4.1"	2.3 Lbs.



NOTES:

Specifications subject to change without prior notice. Replacement wattage shown depends on application and fixture.

This device complies with Part 15 of the FCC Rules. Operation is subject to the following two conditions: (1) this device may not cause harmful interference, and (2) this device must accept any interference received, including interference that may cause undesired operation.

WARNING: Some products included in this specification may be subject to the warning requirements of California's Proposition 65. Please refer to product packaging for more information.

Revised July 2021