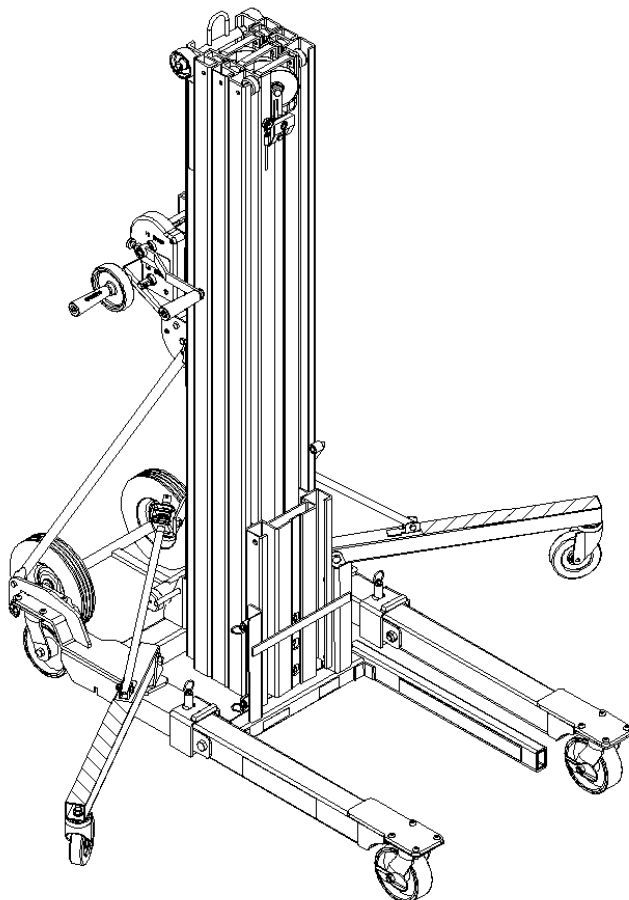


---

# PARTS MANUAL

## SERIES 2600 MATERIAL LIFT

---



**SUMNER\***  
A Southwire Company

---

**USA**

7514 Alabonson Rd.  
Houston, TX 77088  
p: 281-999-6900  
f: 281-999-6966

**CANADA**

75 Saltsman Drive, Unit 5  
Cambridge, Ontario N3H 4R7  
p: 519-653-5300  
f: 519-653-5305

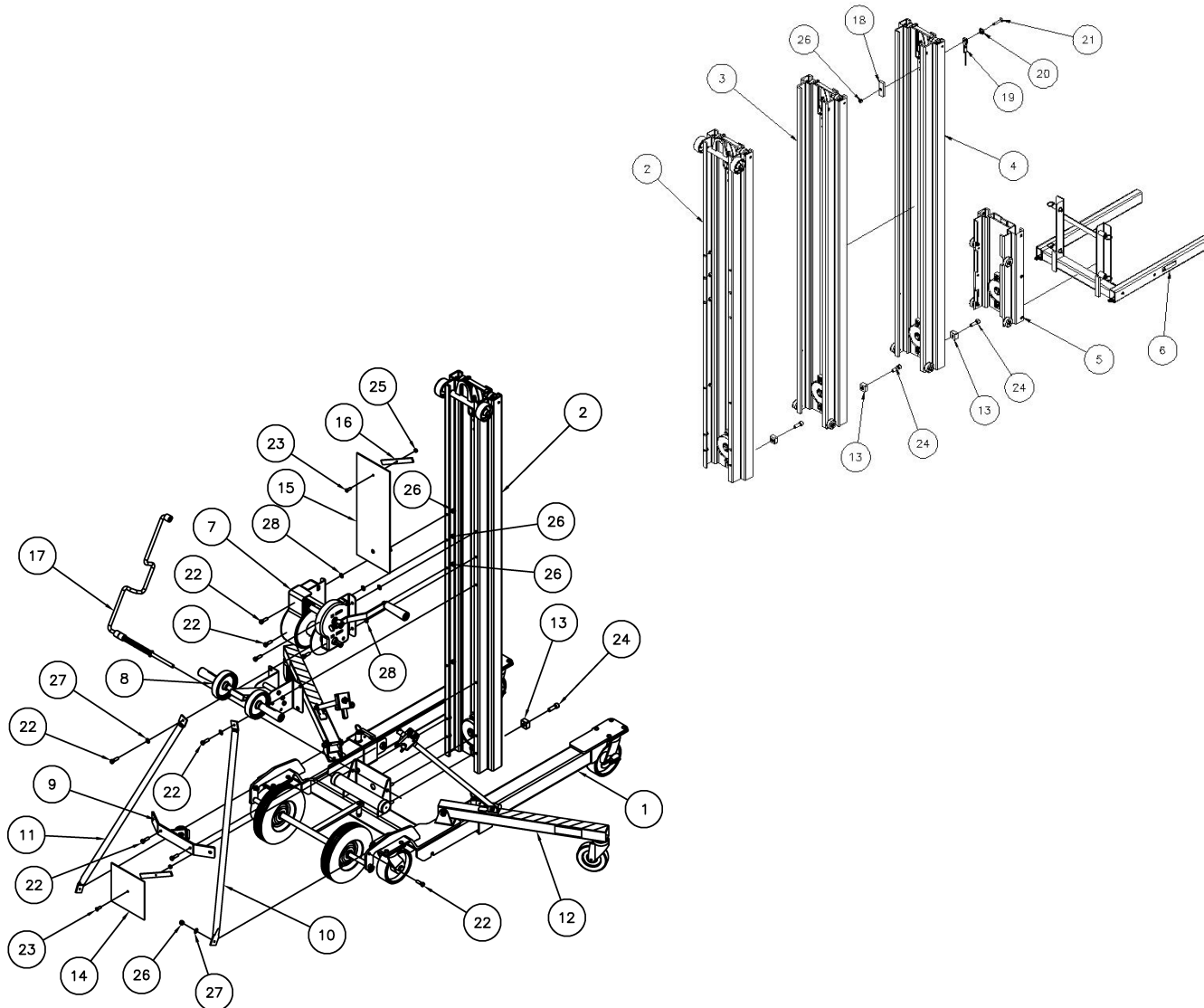
**NETHERLANDS**

Midden Engweg  
21NL-3882TS Putten  
Netherlands  
europeansales.com  
p: + 31 (0) 85 489 0284

**UK**

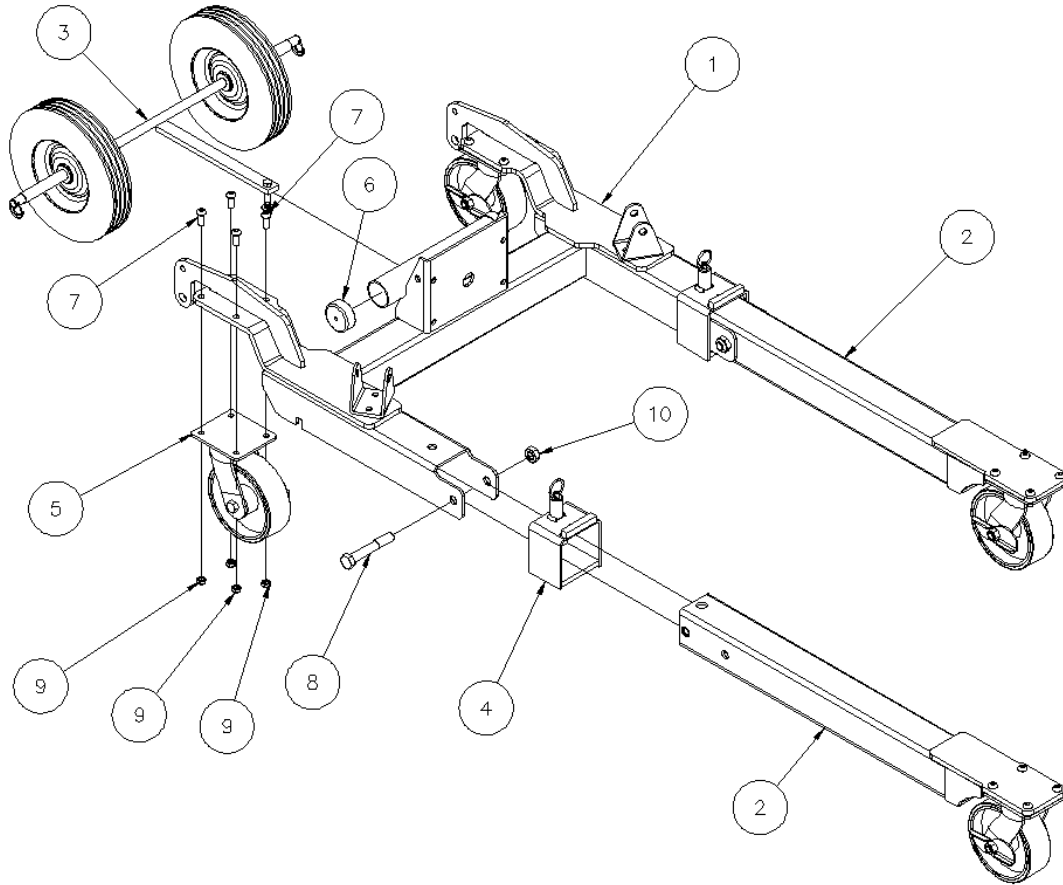
Unit 3 Kempton Road Keytec 7  
Business Park Pershore,  
Worcestershire WR 10 2TA, UK  
p: + 44 (0) 1386 556278

# 2600 LIFT ASSEMBLY



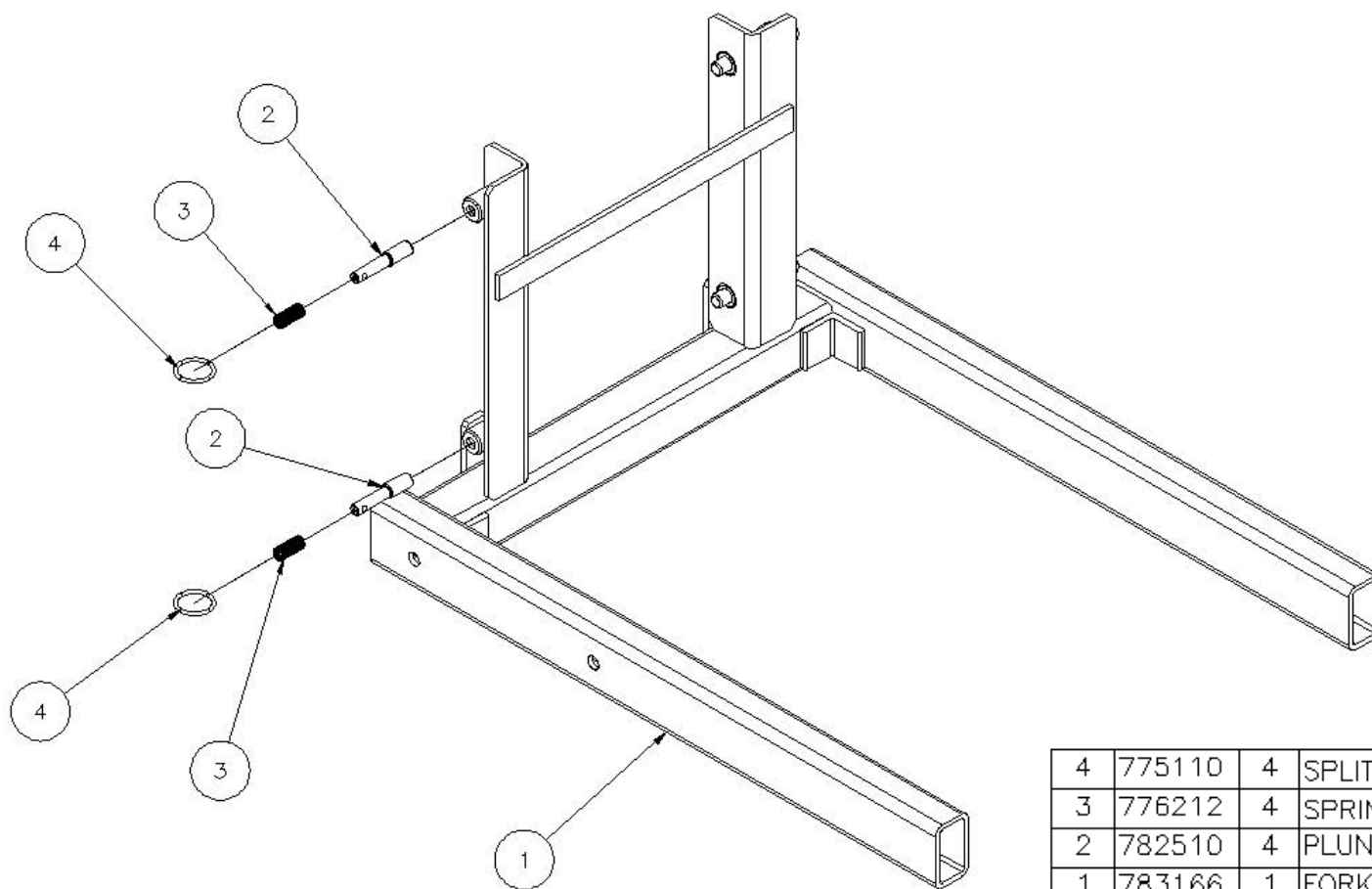
29	783552	2	STANDOFF (MODEL 2610 ONLY)
28	773005	4	WASHER, FLAT 3/8 RUBBER SEALING
27	773040	4	WASHER, FLAT 3/8 USS
26	772355	15	NUT, INSERT LOCK 3/8-16 (MODEL 2615)
	772355	19	NUT, INSERT LOCK 3/8-16 (MODEL 2610)
25	772502	3	NUT, INSERT JAM 5/16-18
24	771257	3	SCREW, SHC 1/2-13 X 1-1/2 (MODEL 2615)
	771257	2	SCREW, SHC 1/2-13 X 1-1/2 (MODEL 2610)
23	771239	3	SCREW, BHC 5/16-18 X 7/8
22	771060	14	SCREW, HHC 3/8-16 X 1-1/4 (MODEL 2615)
	771060	18	SCREW, HHC 3/8-16 X 1-1/4 (MODEL 2610)
21	771248	1	SCREW, FHSC 3/8-16 X 2
20	782910	1	ROPE RET WASHER 715/720
19	783834	1	LOAD LINE ASSY 2015 LIFT
	783886	1	LOAD LINE ASSY 2010 LIFT
18	783551	1	LOCK BLOCK
17	783040	1	MAST HOLD DOWN ASSY, BAR TYPE
16	783545	3	STRAP
15	783813	1	MAST COVER, TOP- EVENTER
14	783504	1	MAST COVER - BOTTOM
13	783575	3	STOP BLOCK (MODEL 2615)
	783575	2	STOP BLOCK (MODEL 2610)
12	783959	1	OUTRIGGER ASSEMBLY, 2000/2100 GALV (MODEL 2615 ONLY)
	783935	1	OUTRIGGER ASSEMBLY, 2000/2100 (MODEL 2615 ONLY)
11	780820	1	BRACE, MAST, RIGHT 2000/2100
10	780819	1	BRACE, MAST, LEFT 2000/2100
9	783582	1	SPREADER PLATE ASSEMBLY
8	786575	1	HANDLE ASSEMBLY, CB LIFT
7	785379	1	WINCH ASSEMBLY, 2-SPEED 2600 LIFT
6	783164	1	FORK EXT KIT, 2600 SERIES LIFT GALV
	783163	1	FORK EXT KIT, 2600 SERIES LIFT
5	783533	1	CARRIAGE ASSEMBLY
4	783162	1	TOP MAST ASSEMBLY, 2600 SERIES LIFT
3	783161	1	CENTER MAST ASSY, 2600 SERIES LIFTS (MODEL 2615 ONLY)
2	783160	1	BOTTOM MAST ASSY, 2600 SERIES LIFT
1	783071	1	BASE ASSEMBLY, 2600 SERIES LIFT GALV
	783070	1	BASE ASSEMBLY, 2600 SERIES LIFT
Item No.	Part No.	Qty	Description
Parts List			

# 783070 – 2600 BASE ASSEMBLY



10	772503	2	NUT, INSERT JAM 5/8-11
9	772350	8	NUT, INSERT JAM 3/8-16
8	771146	2	SCREW, HHC 5/8-11 X 4
7	771266	8	SCREW, BHC 3/8-16 X 1
6	779905	2	CAP, 2" OD TUBE, BLACK
5	779038	2	CASTER, 6" SWIVEL - TAINER MAC
4	783746	2	LEG LOCK ASSEMBLY, 2100 SERIES
3	783094	1	10" WHEEL KIT, 2600 SERIES
2	783083	2	LEG ASSEMBLY, 2600 SERIES LIFTS
1	783072	1	BASE WELDMENT, 2600 SERIES LIFTS
Item	Part No.	Qty	Description
Parts List			

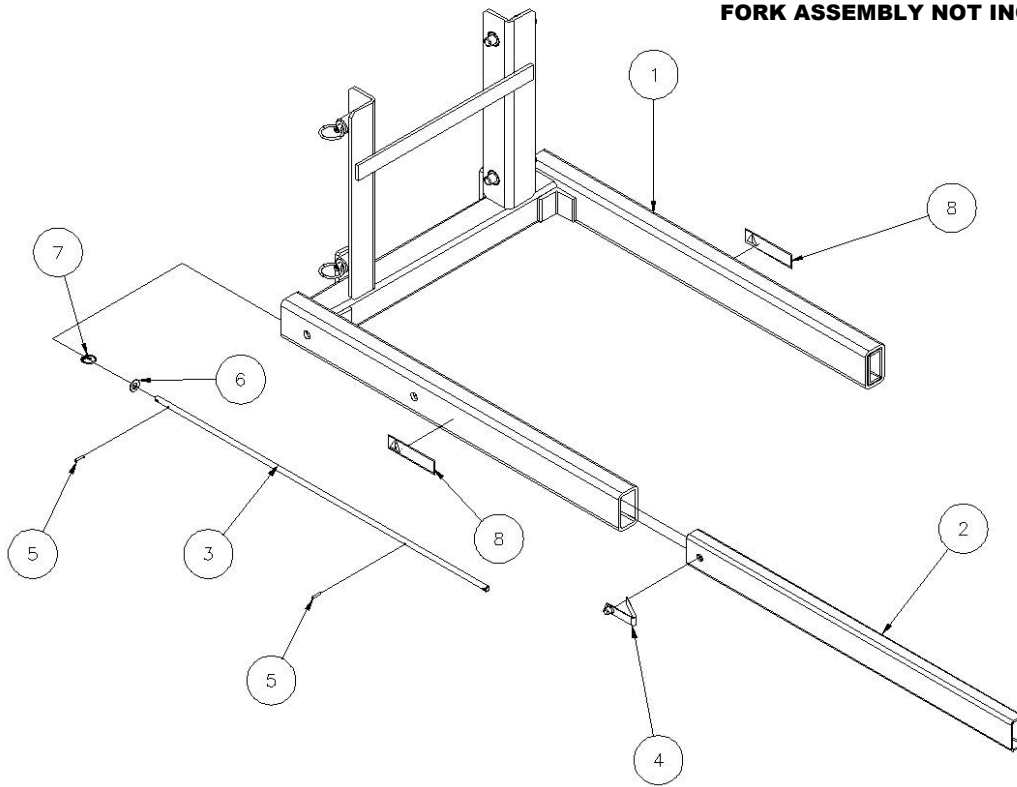
# 783165 – 2600 FORK ASSEMBLY



4	775110	4	SPLIT RING, 1-1/4" NICKLE PLTD.
3	776212	4	SPRING, #DWC-042-G-9
2	782510	4	PLUNGER
1	783166	1	FORK WELDMENT, 2600 SERIES LIFTS
Item	Part No.	Qty	Description
Parts List			

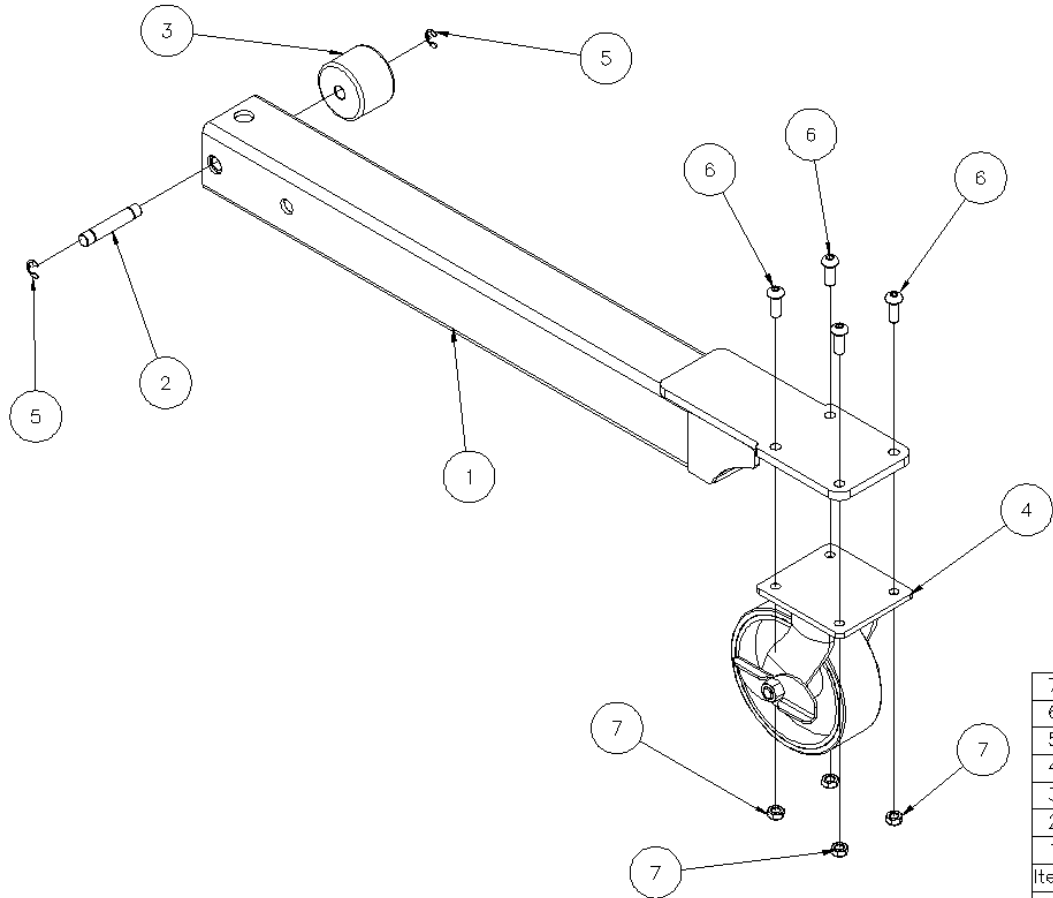
# 783163 – FORK EXTENSION KIT, 2600 SERIES LIFT

**\*  
FORK ASSEMBLY NOT INCLUDED**



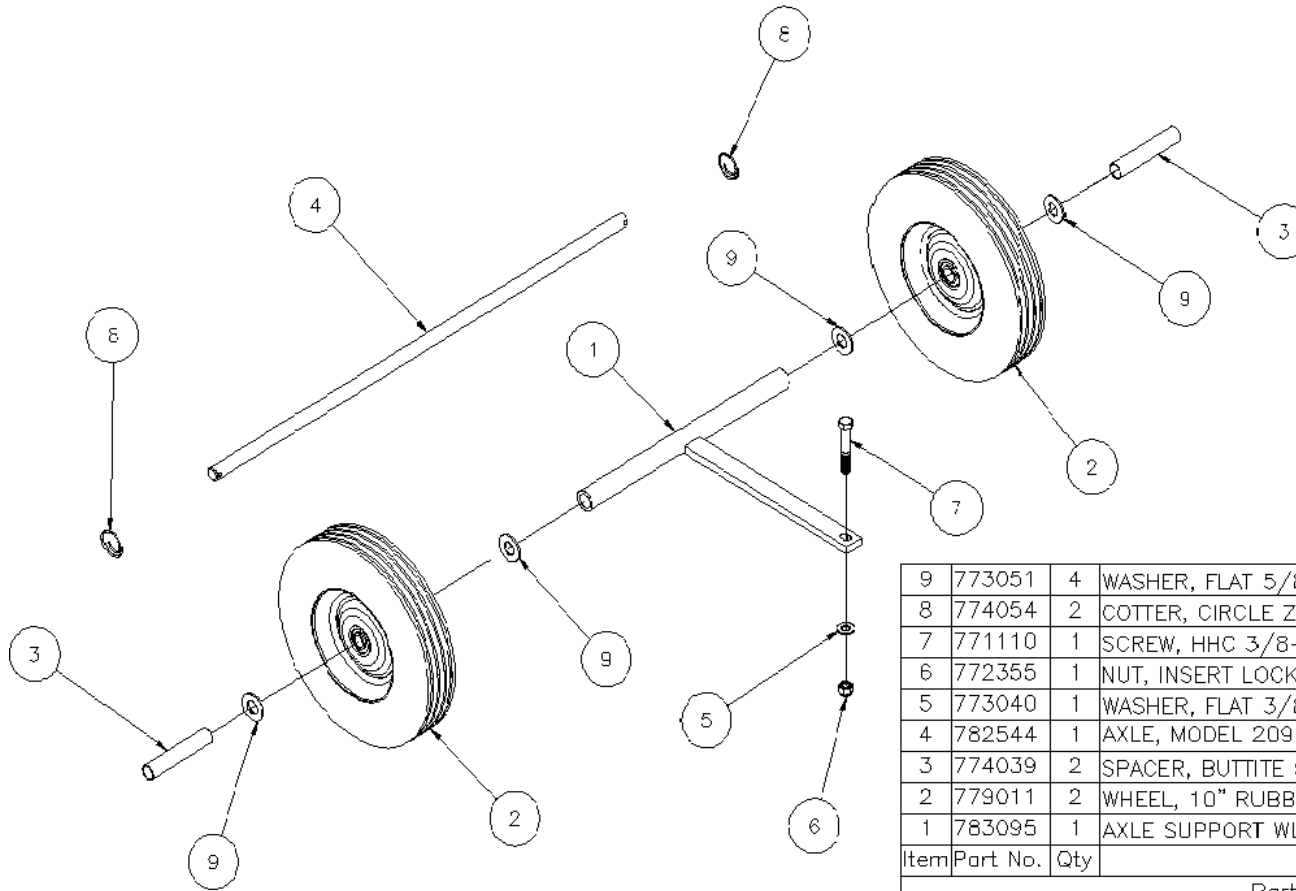
8	778340	2	LABEL, FORK EXTENSION WARNING
7	774053	2	COTTER, CIRCLE Z/P .048 X 3/4
6	773042	2	WASHER, FLAT 5/16
5	774092	4	PIN, ROLL 1/8 X 5/8
4	774010	2	QUICK RELEASE BUTTON CONNECTOR
3	783589	2	LIMIT ROD
2	783168	2	FORK EXTENSION WELDMENT, 2600 LIFTS
1		1	FORK ASSEMBLY, 2600 SERIES LIFTS (NOT INCLUDED)
Item	Part No.	Qty	Description
Parts List			

# 783083 – LEG ASSEMBLY



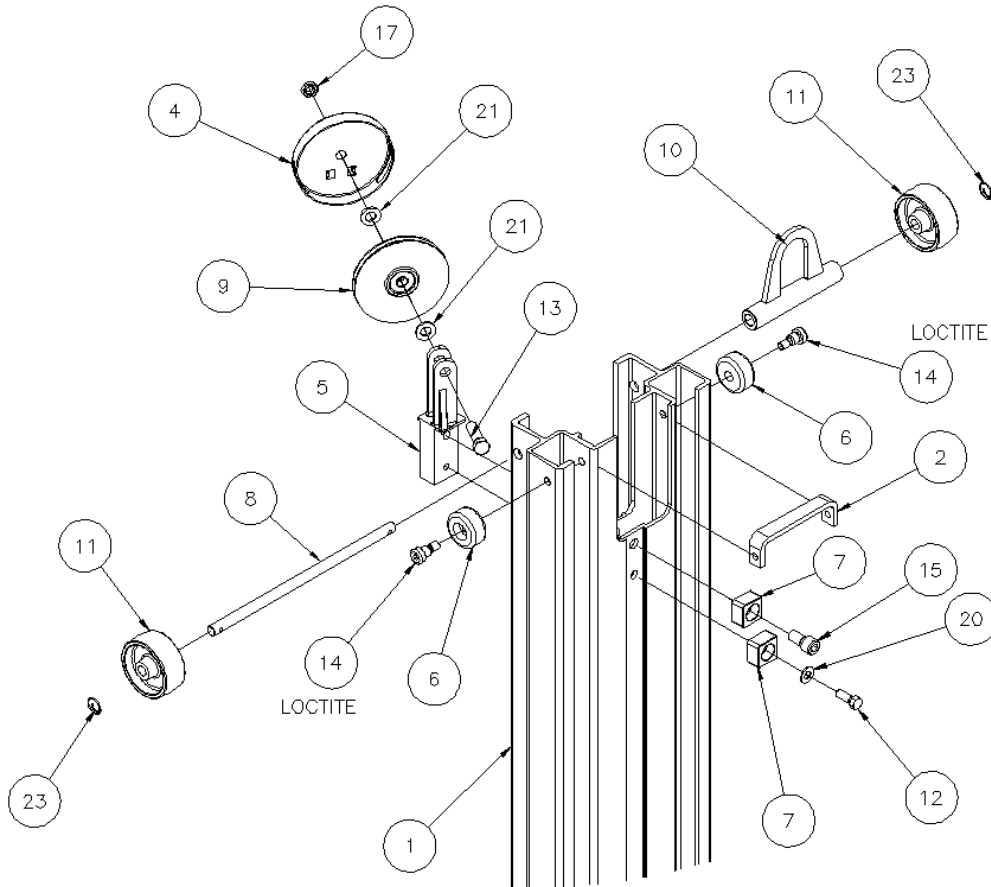
7	772350	4	NUT, INSERT JAM 3/8-16
6	771266	4	SCREW, BHC 3/8-16 X 1
5	776079	2	RETAINING RING #5133-50
4	779038	1	CASTER, 6" SWIVER – TAINER MAC
3	783091	1	ROLLER, LEG 2600 SERIES LIFTS
2	783090	1	SHAFT, LEG ROLLER 2600 SERIES LIFTS
1	783085	1	FRONT LEG WELDMENT, 2600 SERIES LIFTS
Item	Part No.	Qty	Description
Parts List			

# 783094 – 10" WHEEL KIT



9	773051	4	WASHER, FLAT 5/8 USS
8	774054	2	COTTER, CIRCLE Z/P .072 X 1-1/8
7	771110	1	SCREW, HHC 3/8-16 X 2-1/2
6	772355	1	NUT, INSERT LOCK 3/8-16
5	773040	1	WASHER, FLAT 3/8 USS
4	782544	1	AXLE, MODEL 209
3	774039	2	SPACER, BUTTITE 5/8 X 4
2	779011	2	WHEEL, 10" RUBBER TIRE
1	783095	1	AXLE SUPPORT WLDMT, 10" WHEEL KIT 2600 LIFTS
Item	Part No.	Qty	Description
Parts List			

# 783160 – BOTTOM MAST ASSY. (1 OF 2)

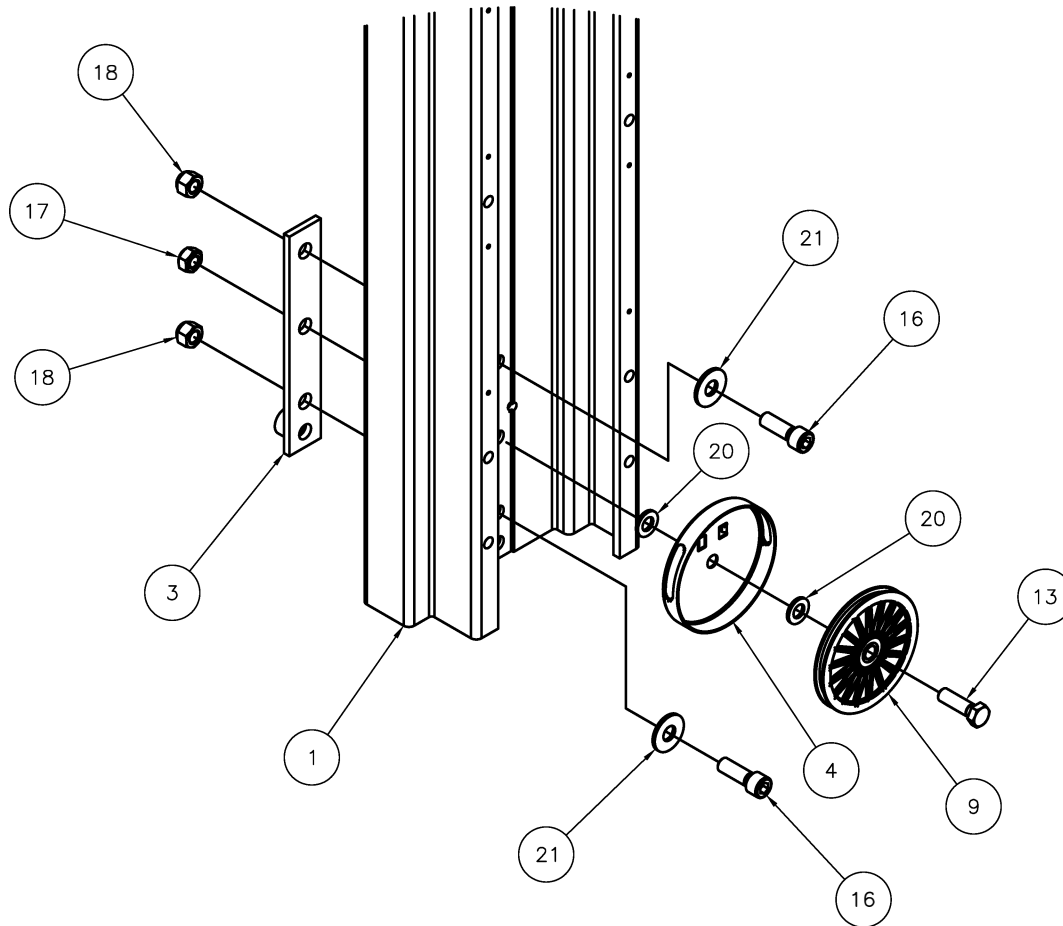


TORQUE ITEMS 9 & 12 TO 125 FT-LBS.  
 APPLY LOCTITE 242 WHERE SHOWN

23	774053	2	COTTER, CIRCLE Z/P .048 X 3/4
22	773060	2	WASHER, FLAT 1/2 USS
21	773096	3	WASHER, FLAT M12
20	773022	1	WASHER, FLAT 3/8 SAE HARDENED
19	772357	2	NUT, INSERT LOCK 1/2-13
18	772800	1	NUT, INSERT LOCK 12MM
17	772505	1	NUT, INSERT JAM 12MM
16	771257	2	SCREW, SHC 1/2-13 X 1-1/2
15	771258	1	SCREW, SHC 1/2-13 X 1
14	771350	2	SCREW, SHOULDER 1/2 X 1/2
13	771161	2	SCREW, HHC M12-1.75 X 40
12	771107	1	SCREW, HHC 3/8-16 X 1
11	779012	2	WHEEL, POLY OLEFIN 3"
10	786585	1	LIFTING HOOK WELDMENT, CB LIFT
9	783812	2	PULLEY ASSEMBLY, ALUMINUM
8	783620	1	SHAFT, ROLLER
7	783575	2	STOP BLOCK
6	783540	2	MAST ROLLER
5	783537	1	PULLEY MOUNTING BRACKET
4	783536	2	PULLEY GUARD
3	783503	1	BACKING PLATE WELDMENT
2	783248	1	TOP REINFORCEMENT BRACKET, 2600 LIFTS
1	783245	1	BOTTOM MAST MACHINED, 2600 SERIES LIFTS
Item	Part No.	Qty	Description
Parts List			

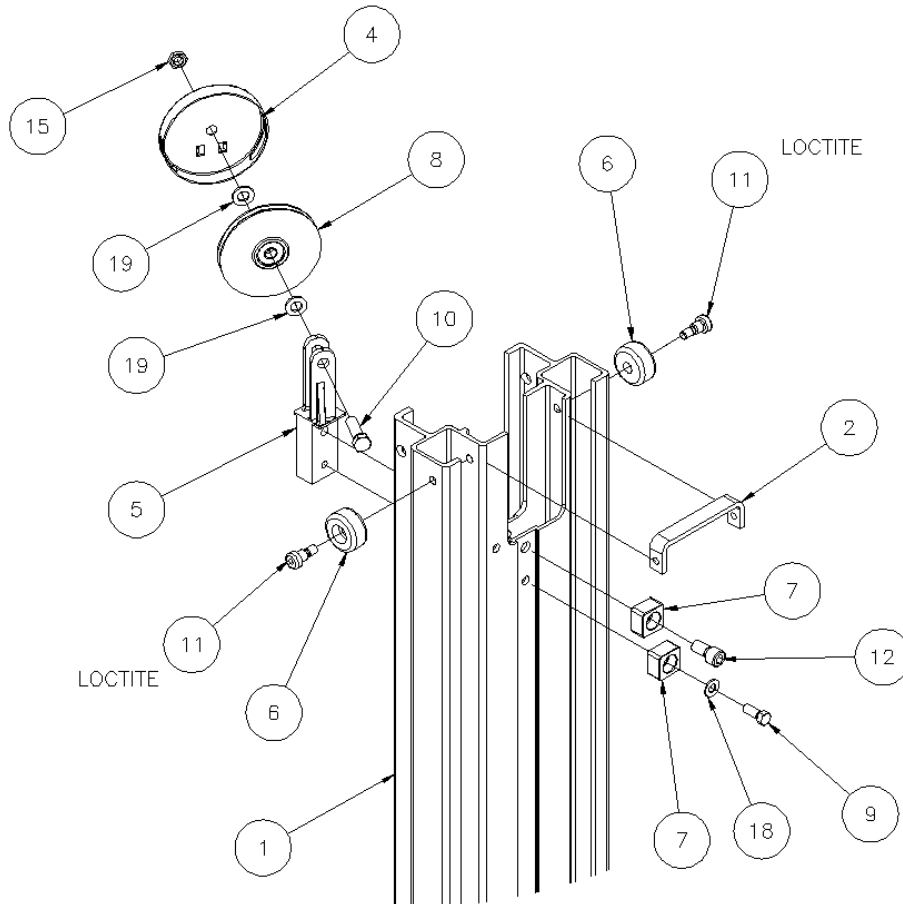


# 783160 – BOTTOM MAST ASSY. (2 OF 2)



23	783484	1	PLATE, TOP PULLEY MOUNT 2600
22	774053	2	COTTER, CIRCLE Z/P .048 X 3/4
21	773060	2	WASHER, FLAT 1/2 USS
20	773096	2	WASHER, FLAT M12
19	773022	1	WASHER, FLAT 3/8 SAE HARDENED
18	772357	2	NUT, INSERT LOCK 1/2-13
17	772800	1	NUT, INSERT LOCK 12MM
16	771257	2	SCREW, SHC 1/2-13 X 1-1/2
15	771258	1	SCREW, SHC 1/2-13 X 1
14	771350	2	SCREW, SHOULDER 1/2 X 1/2
13	771161	1	SCREW, HHC M12-1.75 X 40
12	771107	1	SCREW, HHC 3/8-16 X 1
11	779012	2	WHEEL, POLY OLEFIN 3"
10	786585	1	LIFTING HOOK WELDMENT, CB LIFT
9	783921	1	PULLEY ASSEMBLY, 2000/2100 LIFTS
8	783620	1	SHAFT, ROLLER
7	783575	2	STOP BLOCK
6	783540	2	MAST ROLLER
5	783924	1	PULLEY MOUNTING BRACKET ASSY 2600
4	783536	1	PULLEY GUARD
3	783503	1	BACKING PLATE WELDMENT
2	783248	1	TOP REINFORCEMENT BRACKET, 2600 LIFTS
1	783245	1	BOTTOM MAST MACHINED, 2600 SERIES LIFTS
Item	Part No.	Qty	Description
Parts List			

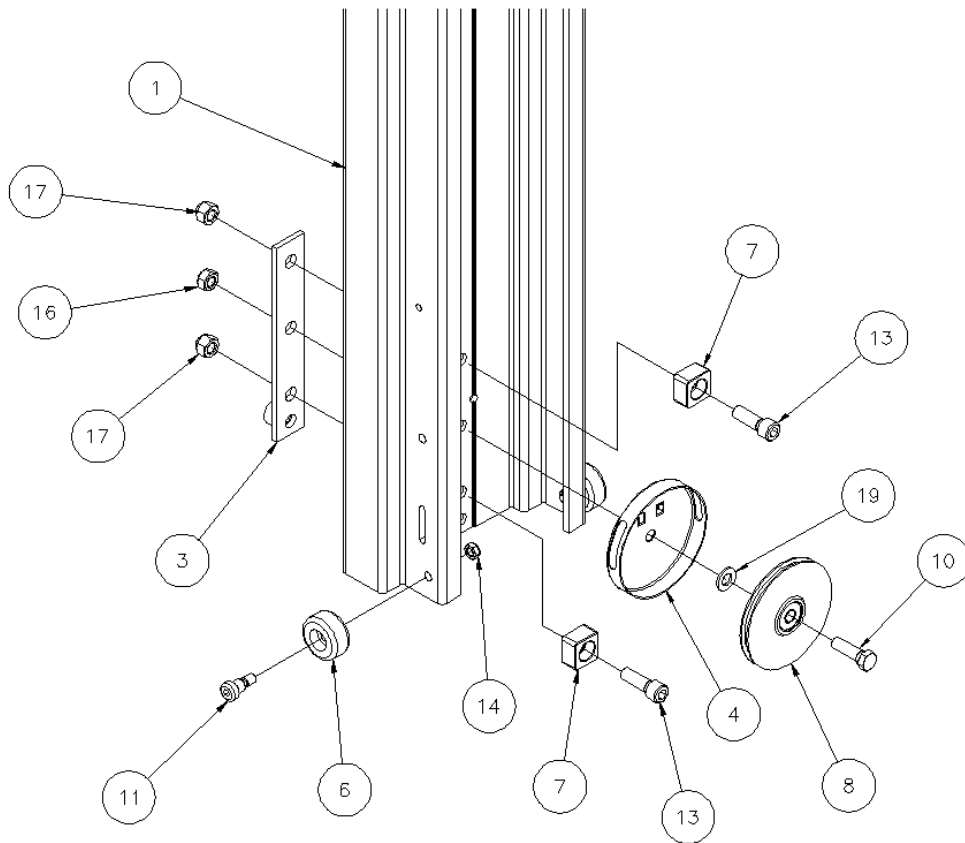
# 783161 – CENTER MAST ASSY. (1 OF 2)



TORQUE ITEMS 11, 17, & 18 TO 125 FT-LBS.  
 APPLY LOCTITE 242 WHERE SHOWN

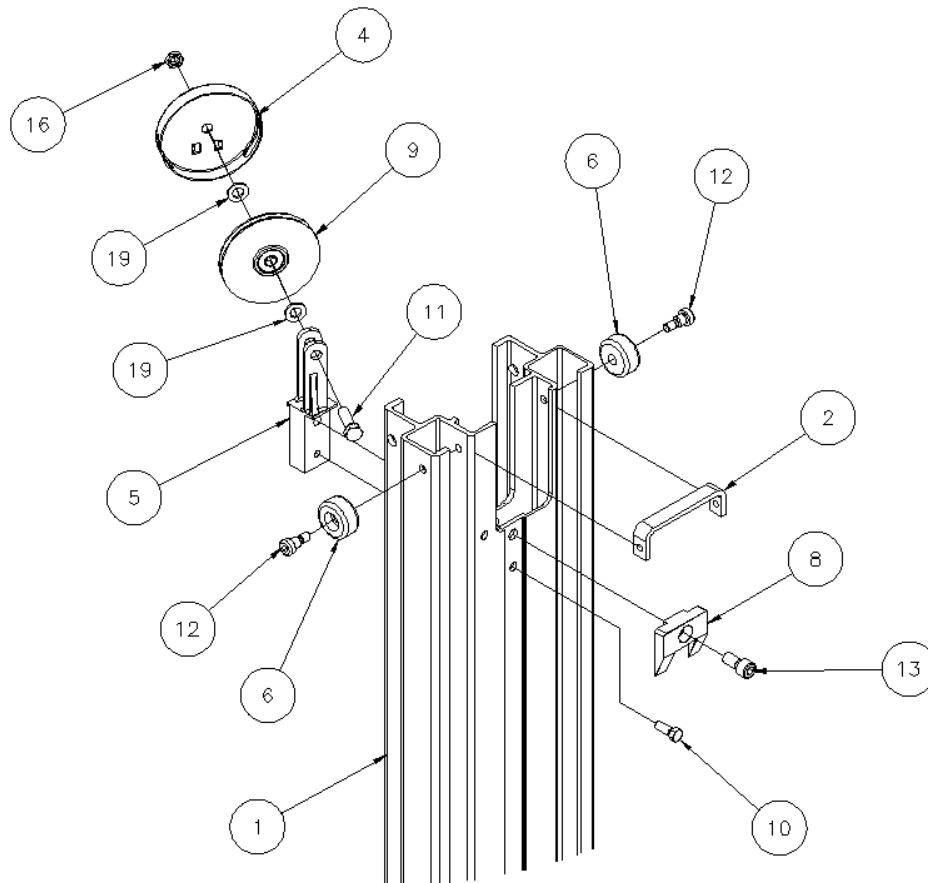
19	773096	3	WASHER, FLAT M12
18	773022	1	WASHER, FLAT 3/8 SAE HARDENED
17	772357	2	NUT, INSERT LOCK 1/2-13
16	772800	1	NUT, INSERT LOCK 12MM
15	772505	1	NUT, INSERT JAM 12MM
14	772350	2	NUT, INSERT JAM 3/8-16
13	771257	2	SCREW, SHC 1/2-13 X 1-1/2
12	771258	1	SCREW, SHC 1/2-13 X 1
11	771350	4	SCREW, SHOULDER 1/2 X 1/2
10	771161	2	SCREW, HHC M12-1.75 X 40
9	771107	1	SCREW, HHC 3/8-16 X 1
8	783812	2	PULLEY ASSEMBLY, ALUMINUM
7	783575	4	STOP BLOCK
6	783540	4	MAST ROLLER
5	783537	1	PULLEY MOUNTING BRACKET
4	783536	2	PULLEY GUARD
3	783503	1	BACKING PLATE WELDMENT
2	783248	1	TOP REINFORCEMENT BRACKET, 2600 LIFTS
1	783246	1	CENTER & TOP MAST MACHINED, 2600 LIFTS
Item	Part No.	Qty	Description
Parts List			

# 783161 – CENTER MAST ASSY. (2 OF 2)



19	773096	3	WASHER, FLAT M12
18	773022	1	WASHER, FLAT 3/8 SAE HARDENED
17	772357	2	NUT, INSERT LOCK 1/2-13
16	772800	1	NUT, INSERT LOCK 12MM
15	772505	1	NUT, INSERT JAM 12MM
14	772350	2	NUT, INSERT JAM 3/8-16
13	771257	2	SCREW, SHC 1/2-13 X 1-1/2
12	771258	1	SCREW, SHC 1/2-13 X 1
11	771350	4	SCREW, SHOULDER 1/2 X 1/2
10	771161	2	SCREW, HHC M12-1.75 X 40
9	771107	1	SCREW, HHC 3/8-16 X 1
8	783812	2	PULLEY ASSEMBLY, ALUMINUM
7	783575	4	STOP BLOCK
6	783540	4	MAST ROLLER
5	783537	1	PULLEY MOUNTING BRACKET
4	783536	2	PULLEY GUARD
3	783503	1	BACKING PLATE WELDMENT
2	783248	1	TOP REINFORCEMENT BRACKET, 2600 LIFTS
1	783246	1	CENTER & TOP MAST MACHINED, 2600 LIFTS
Item	Part No.	Qty	Description
Parts List			

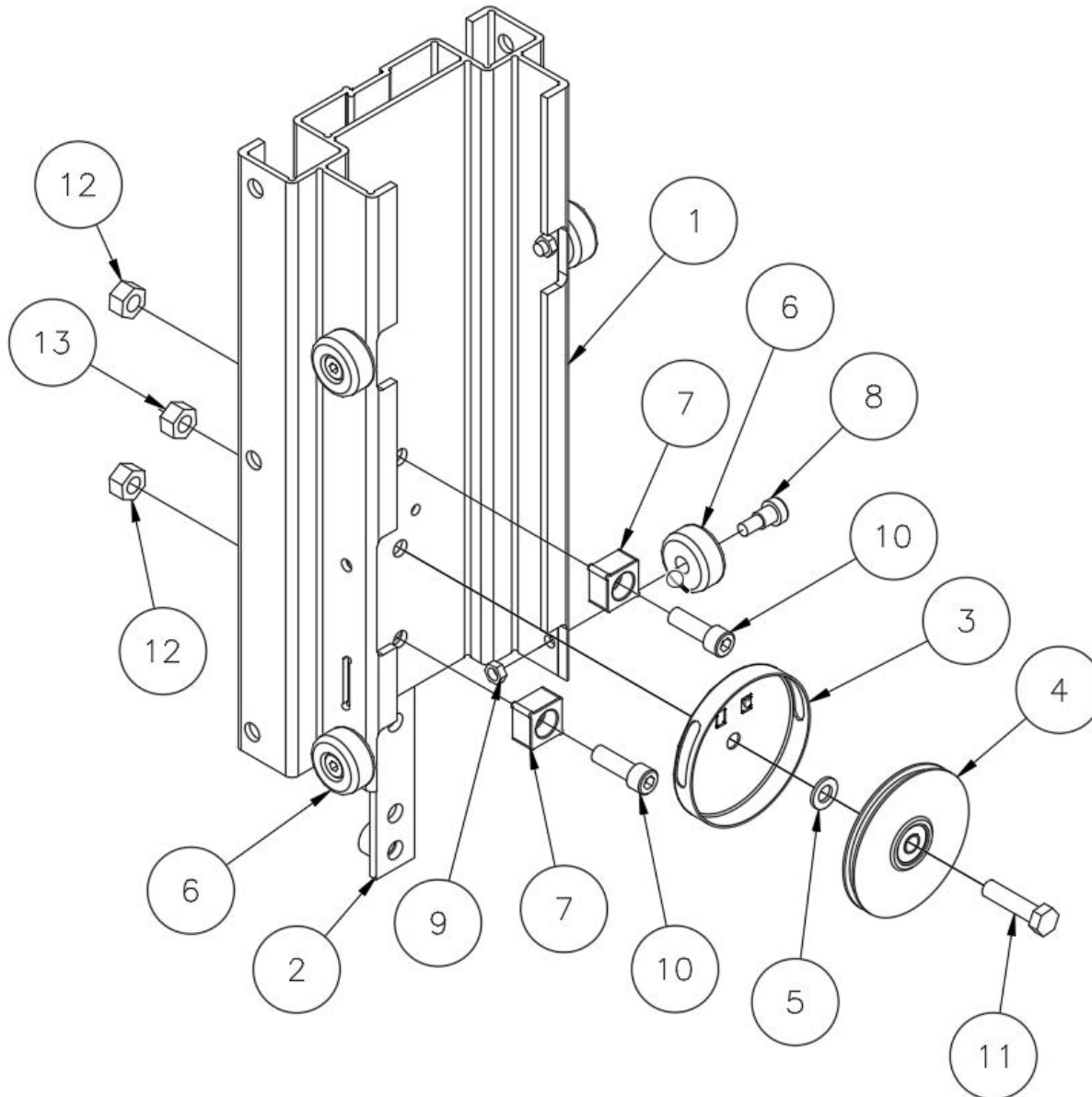
# 783162 – TOP MAST ASSEMBLY (1 OF 2)



TORQUE ITEMS 13 & 14 TO 125 FT-LBS.

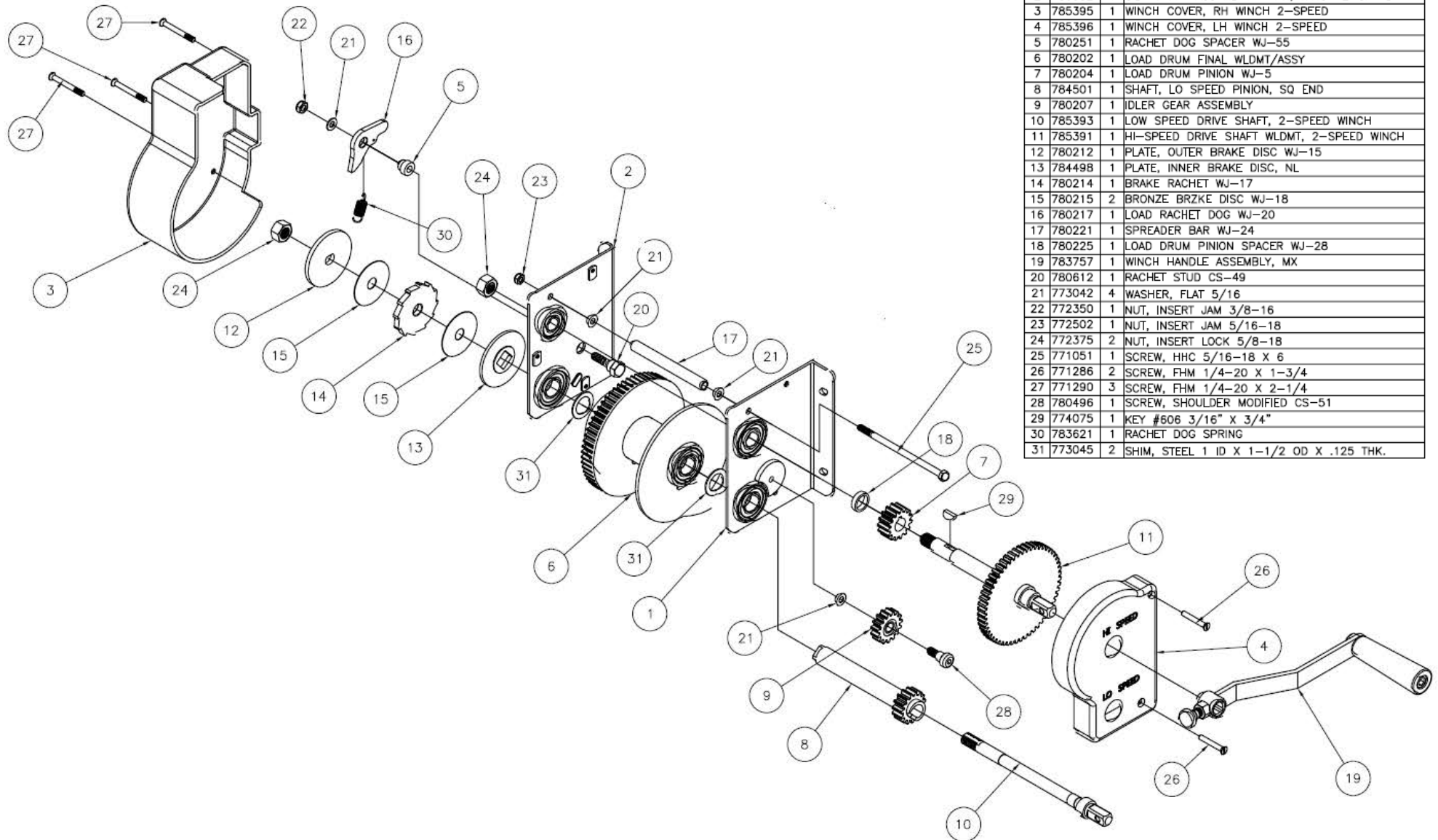
19	773096	3	WASHER, FLAT M12
18	772357	2	NUT, INSERT LOCK 1/2-13
17	772800	1	NUT, INSERT LOCK 12MM
16	772505	1	NUT, INSERT JAM 12MM
15	772350	2	NUT, INSERT JAM 3/8-16
14	771257	2	SCREW, SHC 1/2-13 X 1-1/2
13	771258	1	SCREW, SHC 1/2-13 X 1
12	771350	4	SCREW, SHOULDER 1/2 X 1/2
11	771161	2	SCREW, HHC M12-1.75 X 40
10	771107	1	SCREW, HHC 3/8-16 X 1
9	783812	2	PULLEY ASSEMBLY, ALUMINUM
8	783694	1	STOP BLOCK WEDGE
7	783575	2	STOP BLOCK
6	783540	4	MAST ROLLER
5	783537	1	PULLEY MOUNTING BRACKET
4	783536	2	PULLEY GUARD
3	783503	1	BACKING PLATE WELDMENT
2	783248	1	TOP REINFORCEMENT BRACKET, 2600 LIFTS
1	783246	1	CENTER & TOP MAST MACHINED, 2600 LIFTS
Item	Part No.	Qty	Description
Parts List			

# 783533 – CARRIAGE ASSEMBLY



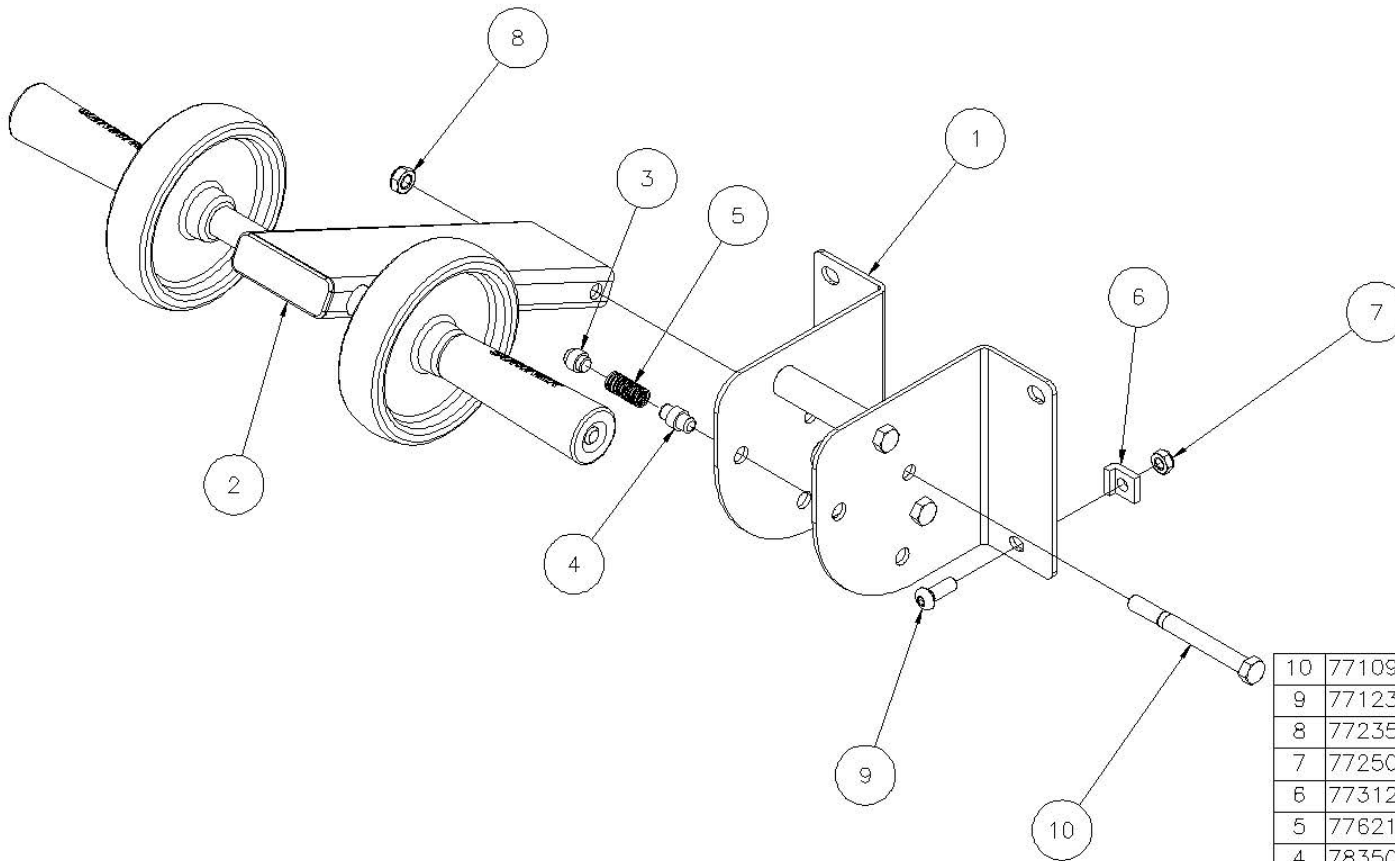
13	772800	1	INSERT LOCKNUT 12mm
12	772357	2	INSERT LOCKNUT 1/2-13
11	771161	1	HHCS-12mm X 40mm
10	771257	2	SHCS 1/2-13 X 1-1/2
9	772350	4	INSERT JAM LOCKNUT 3/8-16
8	771350	4	SHOULDER BOLT 1/2 X 1/2
7	783575	2	STOP BLOCK
6	783540	4	MAST ROLLER
5	773096	1	WASHER, FLAT M12
4	783812	1	PULLEY ASSEMBLY
3	783536	1	PULLEY GUARD
2	783503	1	BACKING PLATE WELDMENT
1	783534	1	CARRIAGE
Item No.	Part No.	Qty	Description
Parts List			

# 785379 - WINCH ASSEMBLY, 2 SPEED 2600 LIFT



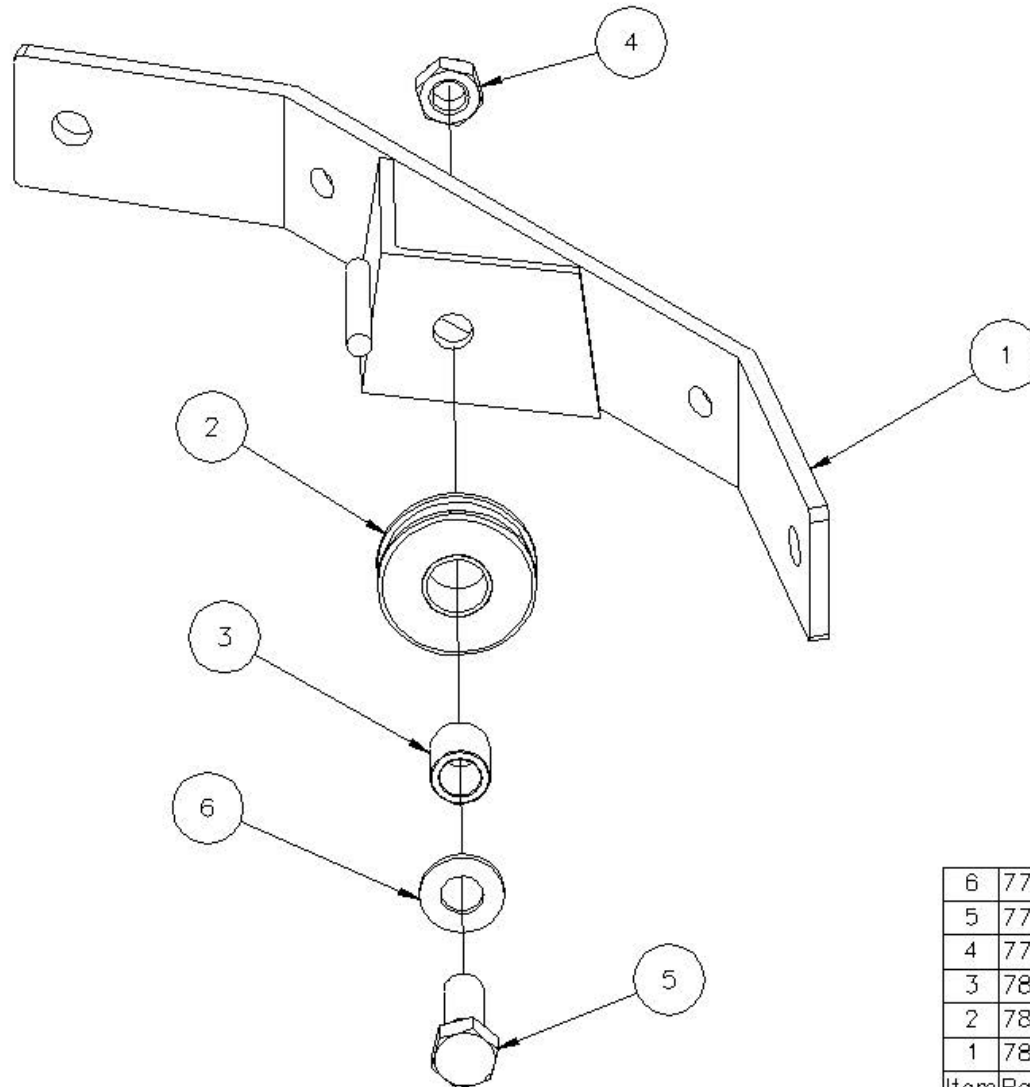
Parts List			
Item	Part No.	Qty	Description
1	785381	1	SIDE PLATE ASSEMBLY - LH, WINCH 2-SPEED
2	785382	1	SIDE PLATE ASSEMBLY - RH, WINCH 2-SPEED
3	785395	1	WINCH COVER, RH WINCH 2-SPEED
4	785396	1	WINCH COVER, LH WINCH 2-SPEED
5	780251	1	RACHET DOG SPACER WJ-55
6	780202	1	LOAD DRUM FINAL WLDMT/ASSY
7	780204	1	LOAD DRUM PINION WJ-5
8	784501	1	SHAFT, LO SPEED PINION, SQ END
9	780207	1	IDLER GEAR ASSEMBLY
10	785393	1	LOW SPEED DRIVE SHAFT, 2-SPEED WINCH
11	785391	1	HI-SPEED DRIVE SHAFT WLDMT, 2-SPEED WINCH
12	780212	1	PLATE, OUTER BRAKE DISC WJ-15
13	784498	1	PLATE, INNER BRAKE DISC, NL
14	780214	1	BRAKE RACHET WJ-17
15	780215	2	BRONZE BRZKE DISC WJ-15
16	780217	1	LOAD RACHET DOG WJ-20
17	780221	1	SPREADER BAR WJ-24
18	780225	1	LOAD DRUM PINION SPACER WJ-28
19	783757	1	WINCH HANDLE ASSEMBLY, MX
20	780612	1	RACHET STUD CS-49
21	773042	4	WASHER, FLAT 5/16
22	772350	1	NUT, INSERT JAM 3/8-16
23	772502	1	NUT, INSERT JAM 5/16-18
24	772375	2	NUT, INSERT LOCK 5/8-18
25	771051	1	SCREW, HHC 5/16-18 X 6
26	771286	2	SCREW, FHM 1/4-20 X 1-3/4
27	771290	3	SCREW, FHM 1/4-20 X 2-1/4
28	780496	1	SCREW, SHOULDER MODIFIED CS-51
29	774075	1	KEY #606 3/16" X 3/4"
30	783621	1	RACHET DOG SPRING
31	773045	2	SHIM, STEEL 1 ID X 1-1/2 OD X .125 THK.

# 786575 - HANDLE ASSEMBLY



10	771098	1	SCREW, HHC 3/8-16 X 3-3/4
9	771239	2	SCREW, BHC 5/16-18 X 7/8
8	772350	1	NUT, INSERT JAM 3/8-16
7	772502	2	NUT, INSERT JAM 5/16-18
6	773120	2	CLAMP, 5/16
5	776212	1	SPRING, #DWC-042-G-9
4	783509	1	PIN, DETENT
3	783508	1	PIN, LOCATOR
2	786580	1	WHEEL HANDLE ASSEMBLY
1	786576	1	HANDLE MOUNTING PLATE ASSEMBLY
Item	Part No.	Qty	Description
Parts List			

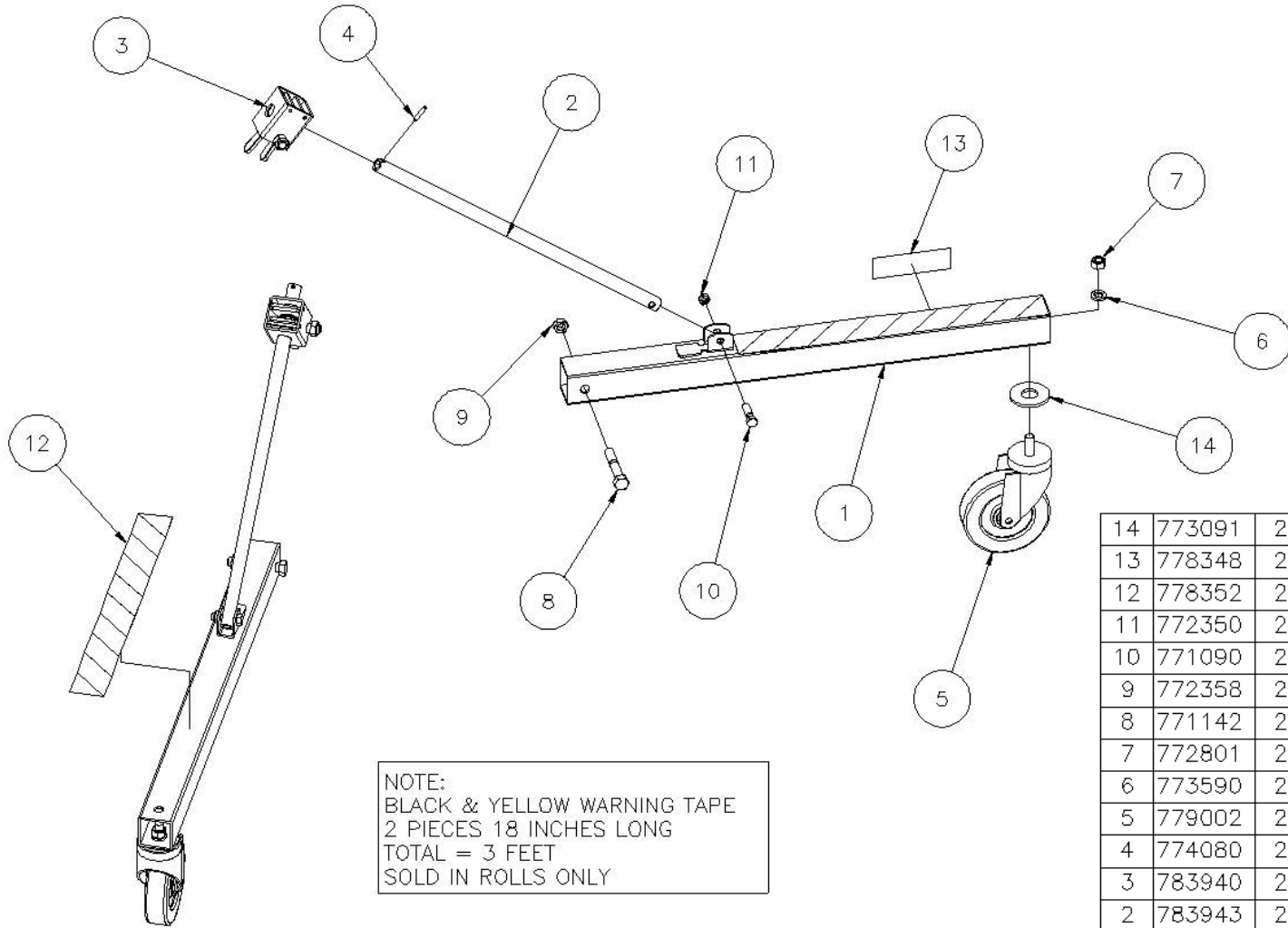
# 783582 – SPREADER PLATE ASSEMBLY



6	773094	1	WASHER, FLAT 1/2 SAE
5	771120	1	SCREW, HHC 1/2-13 X 1-1/2
4	772358	1	NUT, INSERT JAM 1/2-13
3	782960	1	ROLLER SHAFT
2	780025	1	SHEAVE, RAB-222 (2") Z-22
1	783581	1	SPREADER PLATE WELDMENT
Item	Part No.	Qty	Description
Parts List			



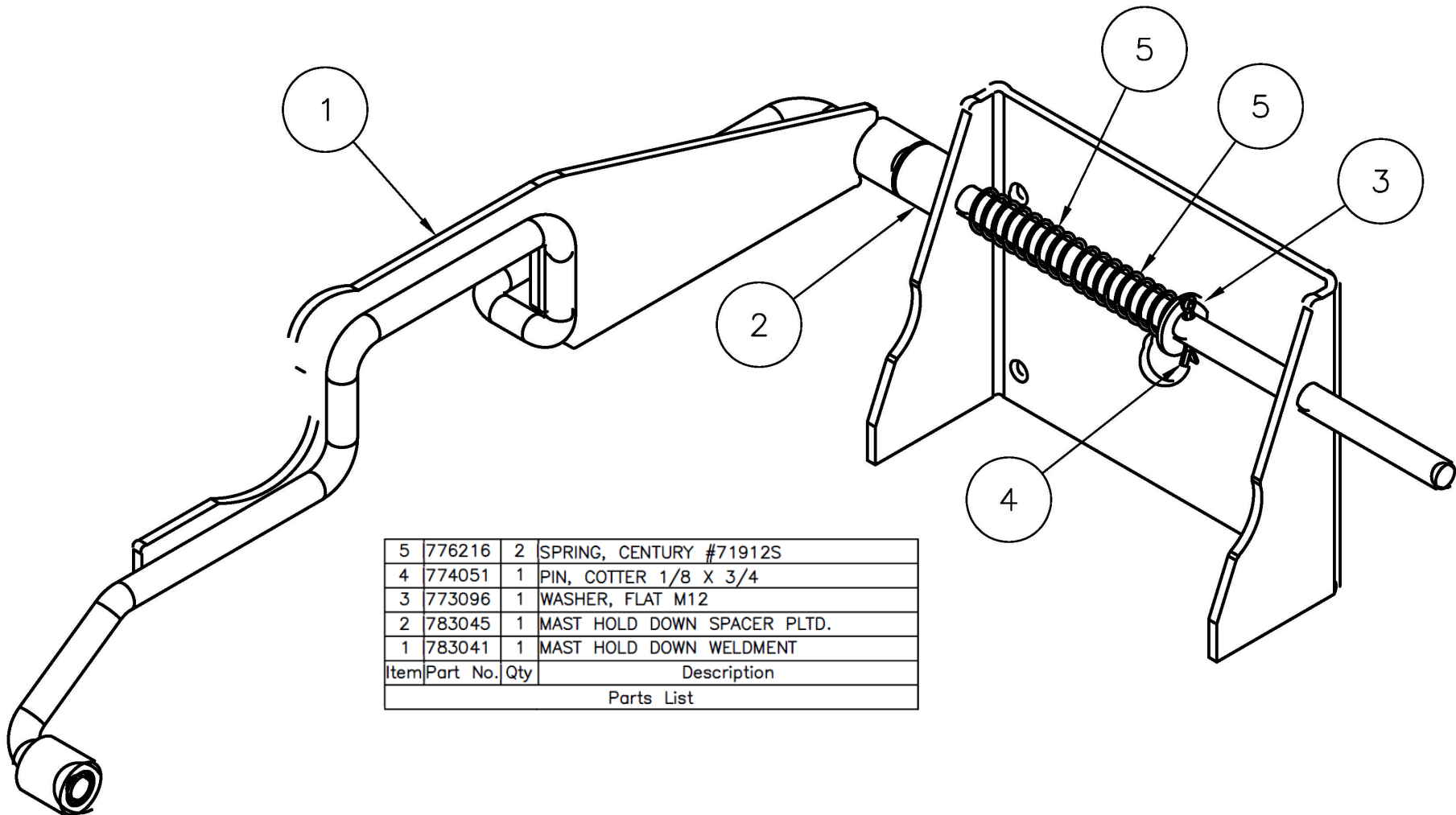
# 783935 – OUTRIGGER ASSEMBLY



NOTE:  
 BLACK & YELLOW WARNING TAPE  
 2 PIECES 18 INCHES LONG  
 TOTAL = 3 FEET  
 SOLD IN ROLLS ONLY

14	773091	2	WASHER, FLAT 7/8" USS PLT'D.
13	778348	2	LABEL, LOWER STAB'LZR LEGS
12	778352	2	TAPE, 2" B/Y CAUTION STRIPE
11	772350	2	NUT, INSERT JAM 3/8-16
10	771090	2	SCREW, HHC 3/8-16 X 1-1/2
9	772358	2	NUT, INSERT JAM 1/2-13
8	771142	2	SCREW, HHC 1/2-13 X 3
7	772801	2	NUT, HEX 12MM PLT'D.
6	773590	2	WASHER, LOCK 1/2"
5	779002	2	CASTER, 125 X 32 12MM STEM
4	774080	2	PIN, ROLL 3/16 X 1
3	783940	2	OUTRIGGER LOCK ASSEMBLY
2	783943	2	OUTRIGGER SUPPORT TUBE
1	783528	2	LEG WELDMENT, OUTRIGGER
Item	Part No.	Qty	Description
Parts List			

# 783040 – MAST HOLD DOWN ASSEMBLY



5	776216	2	SPRING, CENTURY #71912S
4	774051	1	PIN, COTTER 1/8 X 3/4
3	773096	1	WASHER, FLAT M12
2	783045	1	MAST HOLD DOWN SPACER PLTD.
1	783041	1	MAST HOLD DOWN WELDMENT
Item	Part No.	Qty	Description
Parts List			