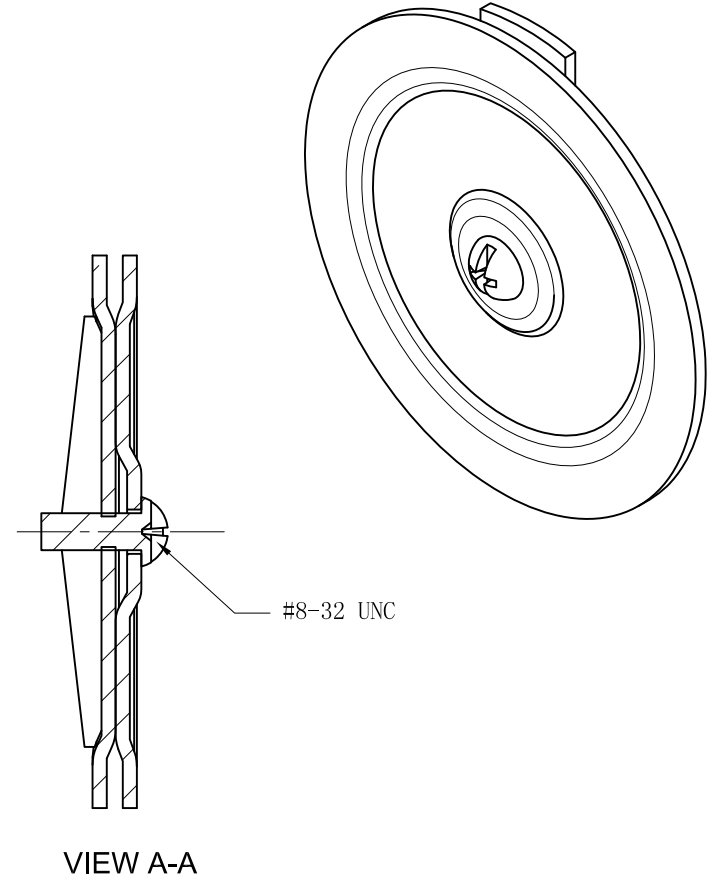
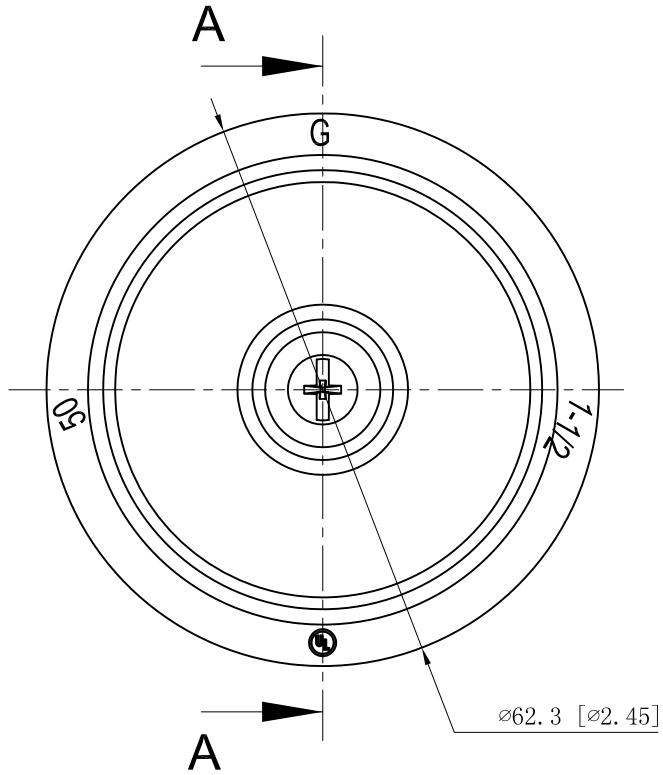
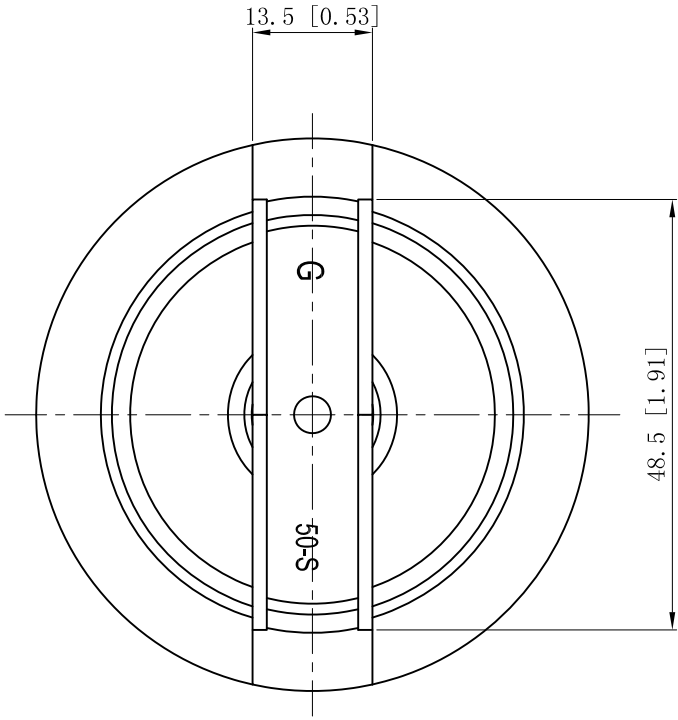


SIDES	BOTTOM
1 PCS 6-32×1/2 Screws Installed	
Material:Steel-0.0625"-C.R.S Zinc Plated	



DESCRIPTION
TRADE REFERENCE TERMS

STANDARD PACKING
10 PCS

This data sheet is for reference only .GARVIN INDUSTRIES reserves the right to make changes to the design without prior notice.

GARVIN INDUSTRIES		
TITLE KNOCKOUT SEALS		
SIZE A4	DWG NO. KOS-150	REV A
DATA SHEET		