

Items:
 WP/40W/PCTS/BZ/PC
 WP/80W/PCTS/BZ/PC
 WP/120W/PCTS/BZ/PC



LED TRADITIONAL WALLPACK CCT AND POWER SELECT INSTALLATION INSTRUCTIONS

READ AND FOLLOW ALL SAFETY INSTRUCTIONS!



WARNING

- Make all electrical and grounded connections in accordance with local codes or the National Electrical Code. If you are not familiar with these codes and requirements, consult a qualified electrician. This professional should be familiar with the construction and operation of this product and hazards involved. Failure to do so may result in serious personal injury.
- To reduce the risk of fire, electric shock personal injury, or property damage, please read and follow all safety instructions. If you do not understand these instructions or if any additional information is required, contact your local Topaz representative. Retain these instructions for maintenance reference.
- Make certain electrical supply is OFF before energizing fixture.
- Do not exceed the allowed supply voltage marked on the luminaire label information.



CAUTION

- Do not expose wires to any sharp objects such as sheet metal to prevent wiring damage or abrasion.
- To avoid risk of burn, be sure fixture temperature is cool enough to touch before handling.
- While the light is on please avoid direct eye exposure.
- Combustible materials should be kept away from fixture/lens.
- Make sure luminaire is mounted to a secure structure use appropriate mounting hardware to install fixture rated for your application. Failure to mount fixture correctly could result in serious injury.

This device complies with part 15 of the FCC Rules. Operation is subject to the following two conditions: (1) This device may not cause harmful interference, and (2) this device must accept any interference received, including interference that may cause undesired operation. Note: This equipment has been tested and found to comply with the limits for a Class B digital device, pursuant to part 15 of the FCC Rules. These limits are designed to provide reasonable protection against harmful interference in a residential installation. This equipment generates, uses and can radiate radio frequency energy and, if not installed and used in accordance with the instructions, may cause harmful interference to radio communications.

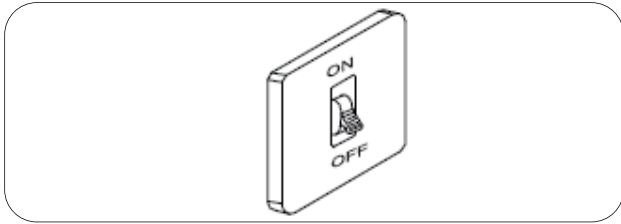
However, there is no guarantee that interference will not occur in a particular installation. If this equipment does cause harmful interference to radio or television reception, which can be determined by tuning the equipment off and on, the user is encouraged to try to correct the interference by one or more of the following measures: Reorient or relocate the receiving antenna. Increase the separation between the equipment and receiver. Connect the equipment into an outlet on a circuit different from that to which the receiver is connected. Consult the dealer or an experienced radio/TV technician for help.

ELECTRICAL PARAMETERS

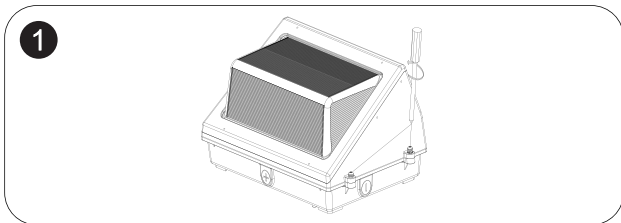
Model No.	Input Voltage	Frequency	Power	Rated Current
WP/40W/PCTS/BZ/PC	120-277V	50/60Hz	28/40W	Max. 0.4A
WP/80W/PCTS/BZ/PC	120-277V	50/60Hz	40/60/80W	Max. 0.8A
WP/120W/PCTS/BZ/PC	120-277V	50/60Hz	80/100/120W	Max. 1.2A

LED TRADITIONAL WALLPACK CCT AND POWER SELECT INSTALLATION INSTRUCTIONS

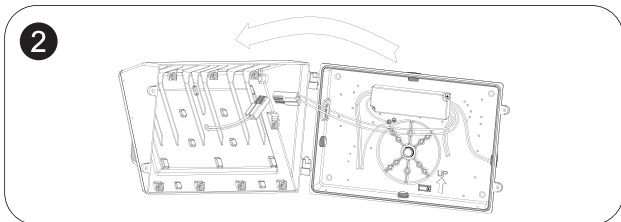
INSTALLATION STEPS



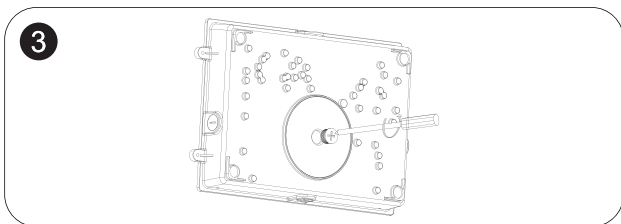
Turn off Power at circuit breaker box.



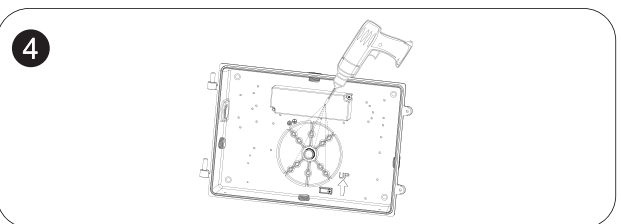
1. Remove the Door Assembly (2) by loosening the two screws located on the side of the fixture.



2. Open the fixture and disconnect the orange connector and remove the front cover of the fixture.

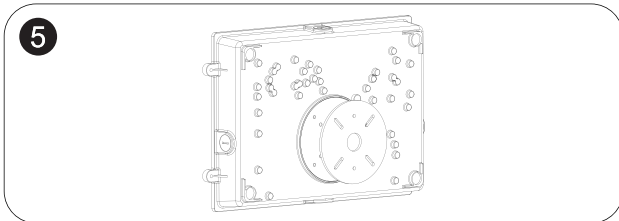


3. Remove the center knockout with screwdriver.

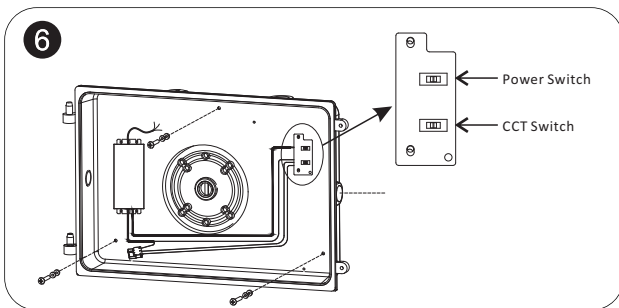


4. Drill out appropriate mounting hole knock outs located on the rear housing. Use the mounting holes for surface or junction box mounting.

LED TRADITIONAL WALLPACK CCT AND POWER SELECT INSTALLATION INSTRUCTIONS

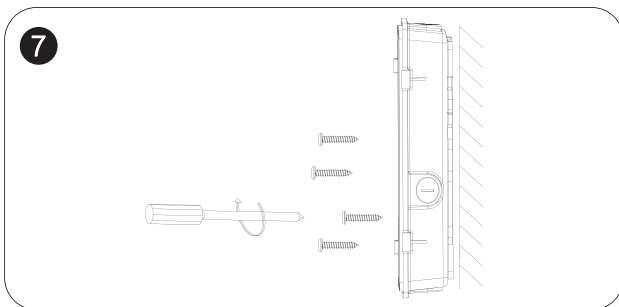


5. Attached circular gasket to the back of the fixture.

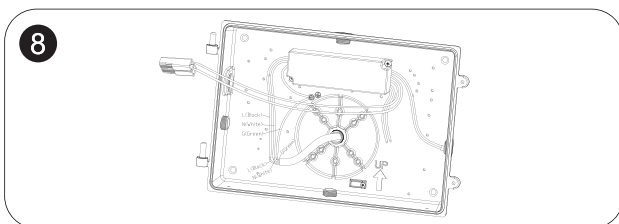


6. The CCT and Power Switch can control three different CCT and Power.

Power Select (Wattage)	28W 40W	40W 60W 80W	80W 100W 120W
Lumens	3,920 5,600	5,600 8,400 11,200	11,200 14,000 16,800
HID Replacement	100W-150W	150W-275W	320-400W
CCT Select	3000K 4000K 5000K	3000K 4000K 5000K	3000K 4000K 5000K

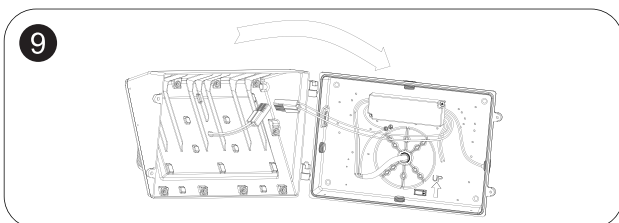


7. Align the back housing correctly and secure the rear housing to the wall. Note: Assure that fixture is mounted onto a structurally sound surface and use mounting hardware appropriate for your application. For Wet Location compliance, fixture must be properly sealed! For moisture seal apply silicone caulking between the mounting surface and rear housing as well as around sides of rear housing.



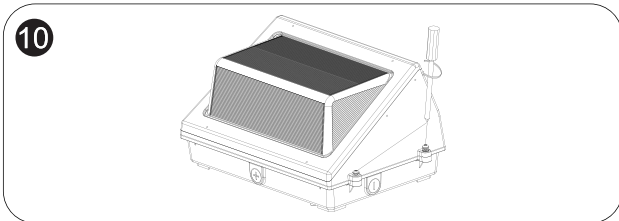
8. Connect the AC wires to the corresponding wires (BLACK to BLACK, WHITE to WHITE and GREEN to GREEN, PURPLE to DIM+, GRAY to DIM-) in the junction box and secure using wire nuts.

Note: Dimming is optional and requires use of 0-10V dimmer.
Note: For 240V operation Connect BLACK to BLACK and WHITE to WHITE.

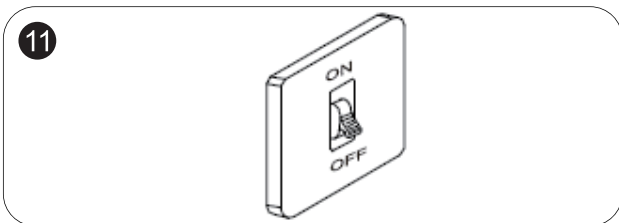


9. Replace front cover. Re-connect the orange connector. Make sure that the lens gasket is properly seated around the perimeter of the cover to insure a weathertight seal.

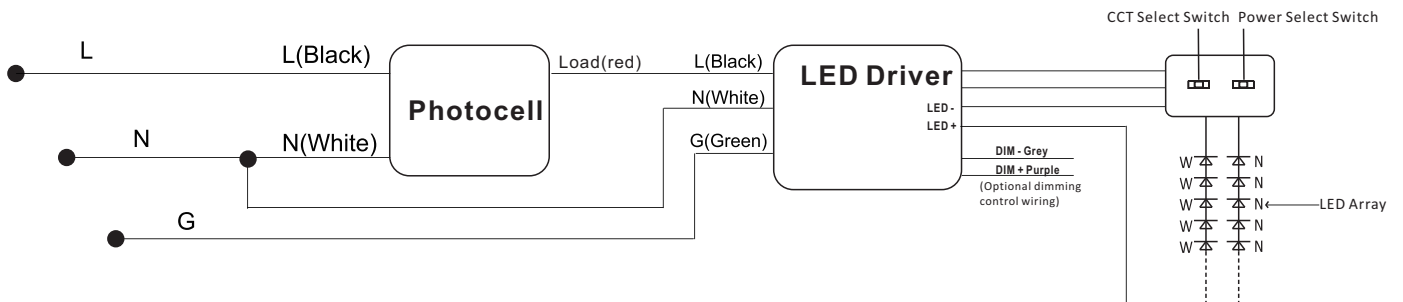
LED TRADITIONAL WALLPACK CCT AND POWER SELECT INSTALLATION INSTRUCTIONS



10. Tighten screws on the housing cover.



11. Make sure the installation is complete before turning on the power switch.



Note: If not required, simply by-pass photocell.

1. Connect the black fixture lead to the black supply lead.
2. Connect the white fixture lead to the white supply lead.
3. Connect the green fixture lead to the green supply lead.

Failure to follow any of these instructions could void product warranties. For a complete listing of product Terms and Conditions, please visit www.topaz-usa.com/led-fixtures-warranty