



Southwire™

90° PULL ELBOWS

EMT AND RIGID COMBO TO BOX - ZINC DIE CAST

FEATURES

- EMT and Rigid combo to box pull elbows
- Removable cover facilitates wire pulling
- Neoprene gasket

APPLICATION

- Indoor or outdoor use
- Use to connect a run of threaded Rigid or IMC conduit to an outlet box or other metal enclosure
- Can be used with EMT indoors only

STANDARD MATERIAL

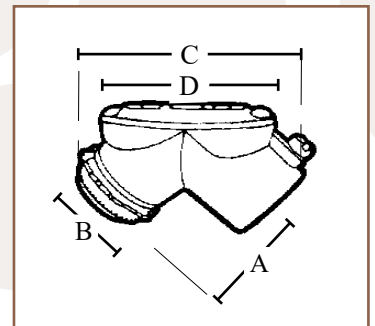
- Zinc die cast



361SS



PART #	SIZE	INNER QTY.	MASTER QTY.	WEIGHT/ CASE (LBS.)	A	B	C	D
361SS	1/2"	10	100	31	1.31"	1.09"	2.40"	1.80"
362SS	3/4"	5	50	18	1.47"	1.29"	2.66"	2.14"
363SS	1"	---	25	21	2.80"	1.60"	3.66"	3.16"
364SS	1-1/4"	---	20	25	3.13"	1.96"	5.16"	3.24"



Rev. 0, 01/23

**BUILT FOR DURABILITY.
BUILT FOR RELIABILITY.
BUILT FOR WORK.™**

1-855-798-6657 | SOUTHWIRE.COM

©2023 Southwire Company, LLC. All rights reserved.
*Registered Trademark & ™Trademark of Southwire Company, LLC.