



LED COMMERCIAL DOWNLIGHTS

CANLESS RECESSED WITH POWER & CCT SELECT

SUGGESTED APPLICATIONS

- Commercial (Offices, conference rooms and hallways)
- Multi-family buildings (interior, bathrooms and exterior)
- Hospitality (Hotel lobbies, collaborative spaces and restaurants)
- Retail, Education, Hospitals and Airports

FEATURES

- Power & CCT field selectable switch to adjust between 3 wattages and 5 color temperatures
- Canless design - no housing needed for easy installation
- Available with Integrated or Remote Drivers in 4", 6", 8" and 10" sizes
- Deep regress design provides low glare and comfortable optical distribution
- Spring clips and quick-connects allow for hassle free installation
- Emergency battery backup option with remote mounted test switch
- Suitable for insulated and non-insulated applications

INPUT VOLTAGE: 120-277V

FREQUENCY: 50-60HZ

POWER FACTOR, THD %:
>0.9/20%

DIMMABLE: 0-10V,
DOWN TO 10%

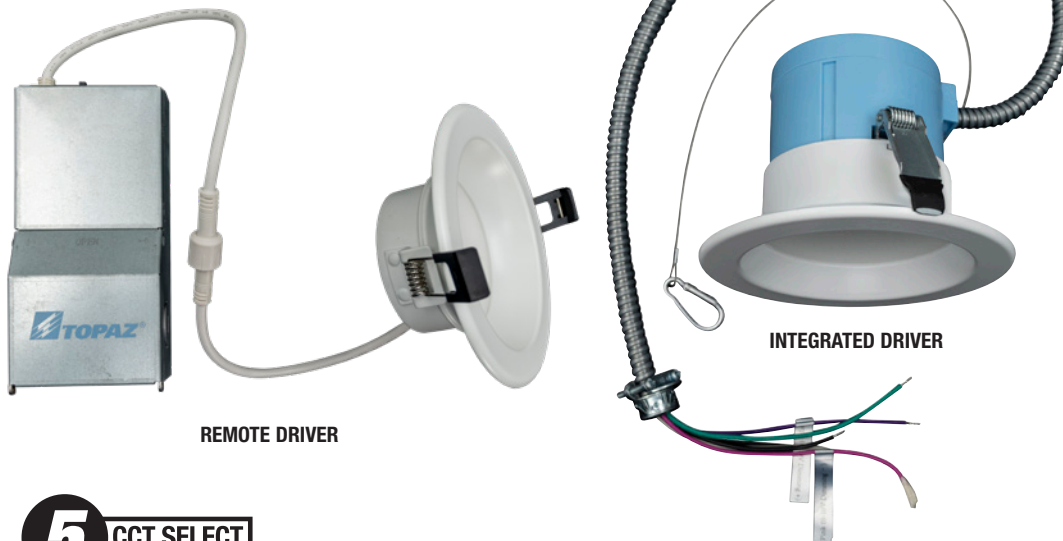
EFFICACY: UP TO 85 LPW

MINIMUM CRI: 90

LIFETIME (L70): 50,000 HOURS

AMBIENT OPERATING
TEMPERATURE: -13°F TO 104°F

SUITABLE FOR CLOSET
APPLICATIONS: NO



REMOTE DRIVER

INTEGRATED DRIVER



BUILT FOR DURABILITY.
BUILT FOR RELIABILITY.
BUILT FOR WORK.™

800-666-2852 | SOUTHWIRE.COM

©2024 Southwire Company, LLC. All rights reserved.
*Registered Trademark & ™Trademark of Southwire Company, LLC.

Job Name/Title: _____

Model #: _____

Fixture Type: _____



LED COMMERCIAL DOWNLIGHTS

CANLESS RECESSED WITH POWER & CCT SELECT



ITEM SPECIFICATIONS | ORDER INFO

MODEL #	ORDER CODE	UPC	SIZE (TRADE)	INPUT VOLTAGE MAX. INPUT CURRENT	POWER SELECTABLE WATTAGE	LUMENS @2700K	LUMENS @3000K	LUMENS @3500K	LUMENS @4000K	LUMENS @5000K	BEAM ANGLE
CDL4S-13WPCS-U	75865	032886314186	4"	120-277V 120mA	6W	600	600	600	630	630	90°
					9W	850	850	850	900	900	
					13W	1,150	1,150	1,150	1,200	1,200	
CDL6S-16WPCS-U	75866	032886314193	6"	120-277V 150mA	8W	750	750	750	800	800	95°
					12W	1,100	1,100	1,100	1,150	1,150	
					16W	1,450	1,450	1,450	1,500	1,500	
CDL8S-26WPCS-U	75867	032886314056	8"	120-277V 240mA	15W	1,500	1,500	1,550	1,550	1,550	95°
					20W	1,950	1,950	1,950	2,000	2,000	
					26W	2,450	2,450	2,450	2,500	2,500	
CDL10S-36WPCS-U	75868	032886314063	10"	120-277V 340mA	20W	1,950	1,950	1,950	2,000	2,000	100°
					25W	2,450	2,450	2,450	2,500	2,500	
					36W	3,350	3,350	3,350	3,500	3,500	
WITH REMOTE DRIVER											
CDL4S-RM-12WPCS-U	75869	032886314070	4"	120-277V 110mA	6W	600	600	600	630	630	95°
					9W	850	850	850	900	900	
					12W	1,050	1,050	1,050	1,100	1,100	
CDL6S-RM-24WPCS-U	75870	032886314087	6"	120-277V 220mA	12W	1,100	1,100	1,100	1,100	1,100	95°
					16W	1,500	1,500	1,500	1,500	1,500	
					24W	1,950	1,950	1,950	2,000	2,000	
CDL8S-RM-30WPCS-U	75871	032886314094	8"	120-277V 280mA	16W	1,450	1,450	1,450	1,500	1,500	95°
					22W	1,950	1,950	1,950	2,000	2,000	
					30W	2,450	2,450	2,500	2,500	2,600	

ORDERING GUIDE

Example: CDL6S-RM-24WPCS-U

PRODUCT	SIZE	TRIM STYLE	DRIVER TYPE	POWER SELECTABLE	OPTIONS
CDL = COMMERCIAL DOWNLIGHTS	4"	S = SMOOTH	BLANK = INTEGRATED DRIVER	13WPCS = 6I9I13W	U = UNIVERSAL INPUT VOLTAGE 120-277V
	6"			16WPCS = 8I12I16W	
	8"			26WPCS = 15I20I26W	
	10"			36WPCS = 20I25I36W	
	4"		RM = REMOTE DRIVER	12WPCS = 6I9I12W	
	6"			24WPCS = 12I16I24W	
	8"			30WPCS = 16I22I30W	

**BUILT FOR DURABILITY.
BUILT FOR RELIABILITY.
BUILT FOR WORK.™**

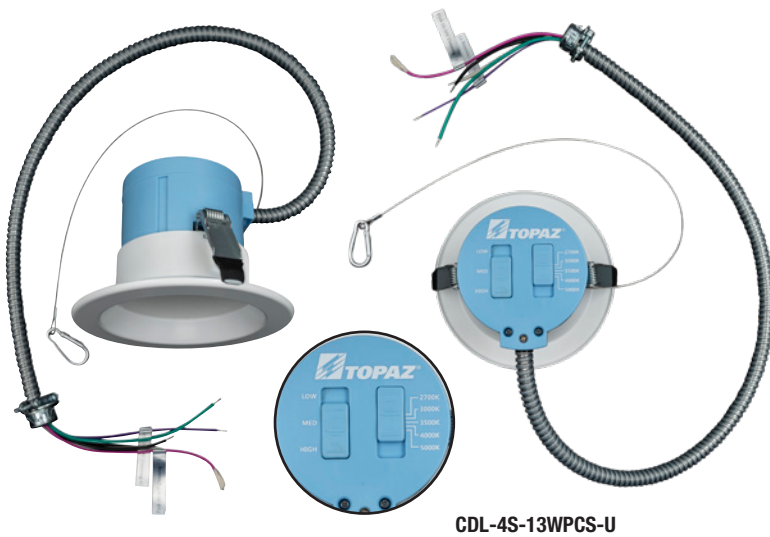
800-666-2852 | SOUTHWIRE.COM

©2024 Southwire Company, LLC. All rights reserved.
*Registered Trademark & ™Trademark of Southwire Company, LLC.



LED COMMERCIAL DOWNLIGHTS

CANLESS RECESSED WITH POWER & CCT SELECT



CDL-4S-13WPCS-U

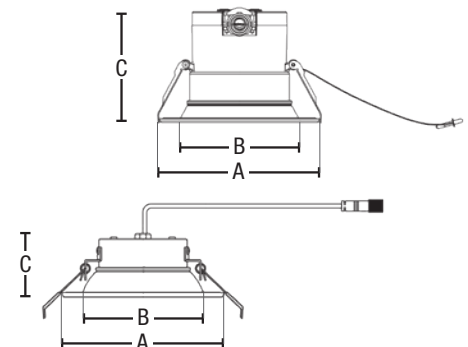


CDL-4S-RM-12WPCS-U

DIMENSIONS | WEIGHT

MODEL #	INCANDESCENT REPLACEMENT	A (IN)	B (IN)	C (IN)	WEIGHT (LBS)	PALLET QUANTITY (PCS)* 48" X 40" X 60"
CDL4S-13WPCS-U	40W/60W/75W	5.98	4.53	4.21	1.34	144
CDL6S-16WPCS-U	60W/75W/100W	8.41	5.87	4.84	1.76	96
CDL8S-26WPCS-U	100W/125W/150W	10.04	7.32	5.17	1.92	72
CDL10S-36WPCS-U	125W/150W/200W	11.38	8.63	5.64	2.27	48
CDL4S-RM-12WPCS-U	40W/60W/75W	5.04	3.89	1.98	0.76	270
CDL6S-RM-24WPCS-U	75W/100W/125W	7.36	4.31	2.85	0.91	144
CDL8S-RM-30WPCS-U	100W/126W/150W	8.66	6.41	3.39	1.05	96

* Pallet quantities may vary



NOTES

Dimming with standard 0-10V control system or wall dimmers. Dimming complies with IEC60929 Annex E. Fixture may not be compatible with all dimmers. Dimming performance may vary based on selected dimmer. Contact your local Southwire representative for a list of compatible dimmers.

Power & CCT selectable models: default settings are 4000K at the highest wattage.

FIVE (5) YEAR LIMITED WARRANTY: SOUTHWIRE COMPANY, LLC. For details visit: <https://southwire.com/resources/warranties>.

This device complies with Part 15 of the FCC Rules. Operation is subject to the following two conditions: (1) this device may not cause harmful interference, and (2) this device must accept any interference received, including interference that may cause undesired operation. CAN-ICES-003B/NMB-003B

Specifications are subject to change without prior notice. Replacement wattage shown depends on application and fixture.

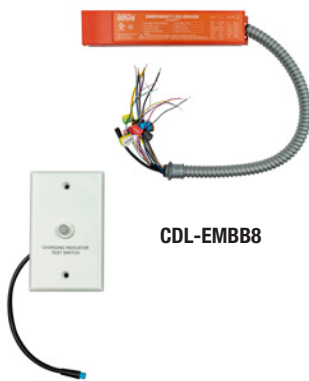
**BUILT FOR DURABILITY.
BUILT FOR RELIABILITY.
BUILT FOR WORK.™**

800-666-2852 | SOUTHWIRE.COM

©2024 Southwire Company, LLC. All rights reserved.
*Registered Trademark & ™Trademark of Southwire Company, LLC.



LED COMMERCIAL DOWNLIGHTS ACCESSORIES (SOLD SEPARATELY)



CDL-EMBB8

EMERGENCY BATTERY BACKUP WITH REMOTE TEST SWITCH

This inline EMBB is for use with all Topaz Commercial Canless Downlights with Internal or Remote Drivers. Can also be used for most Topaz lighting platforms (email Lighting@Southwire.com for details).

- 8W EMBB
- Provides 90-minute duration
- 120-277V input
- Battery capacity is greater than 60% from factory
- 12-month shelf life

Note: Be sure to follow your local fire and safety regulations regarding testing.



CDL-GR10

GOOF RINGS

This overlay solution is ideal for hiding oversized or miscut ceiling holes.

- **SIMPLE INSTALL** - The overlay easily slips between the ceiling and the commercial downlight trims. There is also at least one small nail hole in the goof ring to allow more permanent mounting.



CDL-DWP

NEW CONSTRUCTION PAN AND ACCESSORIES

- **CDL-DWP (New Construction/Drywall Pan)**: recommended for drywall ceilings and suspended drop ceilings. Designed to fit between standard joists from 12 to 24 inches; also fits standard bar channels in grid drop ceilings. The universal pan fits 3, 4, 6, 8 and 10-inch canless downlight fixtures.



CDL-HB

- **CDL-HB (Hanger Bars)**: recommended for new construction projects where joists are present. Extend from 12 to 24 inches. Hanger Bars are required for T-grid ceilings as they provide support for the tile by removing the weight of the fixture. Extend the Hanger Bars and secure to the channel bars.



CDL-J-BOX

- **CDL-J-BOX (Junction Box)**: recommended for integrated driver fixtures only (remote driver fixtures include j-box). Once assembled, the j-box attaches to the top of frame pan using metal tabs.

COLOR TRIM FINISHES

These smooth high-quality aluminum trims easily attach to the downlights by bending the metal tabs around the edges of the trims. Note: only compatible with the integrated driver fixtures.



BRUSHED NICKLE SMOOTH (BN-S)



MATTE BLACK SMOOTH (MB-S)



BRONZE SMOOTH (BZ-S)



MATTE SILVER SMOOTH (MS-S)

**BUILT FOR DURABILITY.
BUILT FOR RELIABILITY.
BUILT FOR WORK.™**

800-666-2852 | SOUTHWIRE.COM

©2024 Southwire Company, LLC. All rights reserved.
*Registered Trademark & ™Trademark of Southwire Company, LLC.



LED COMMERCIAL DOWNLIGHTS ACCESSORIES (SOLD SEPARATELY)

ACCESSORIES (SOLD SEPARATELY)

MODEL #	ORDER CODE	DESCRIPTION
CDL-EMBB8	75876	8W EMERGENCY BATTERY BACKUP DRIVER
MOUNTING		
CDL-DWP	75877	DRY WALL PAN
CDL-HB	75878	HANGER BARS
CDL-J-BOX	75879	J-BOX
GOOF RINGS		
CDL-GR4	75872	4" GOOF RING
CDL-GR6	75873	6" GOOF RING
CDL-GR8	75874	8" GOOF RING
CDL-GR10	75875	10" GOOF RING



CDL-EMBB8



CDL-DWP



CDL-HB



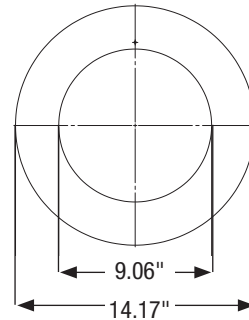
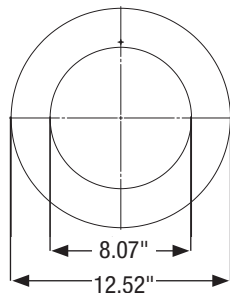
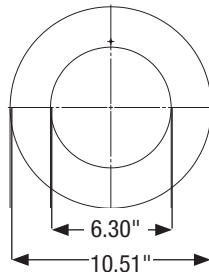
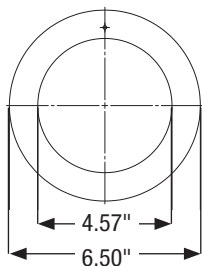
CDL-J-BOX

CDL-GR4

CDL-GR6

CDL-GR8

CDL-GR10



**BUILT FOR DURABILITY.
BUILT FOR RELIABILITY.
BUILT FOR WORK.™**

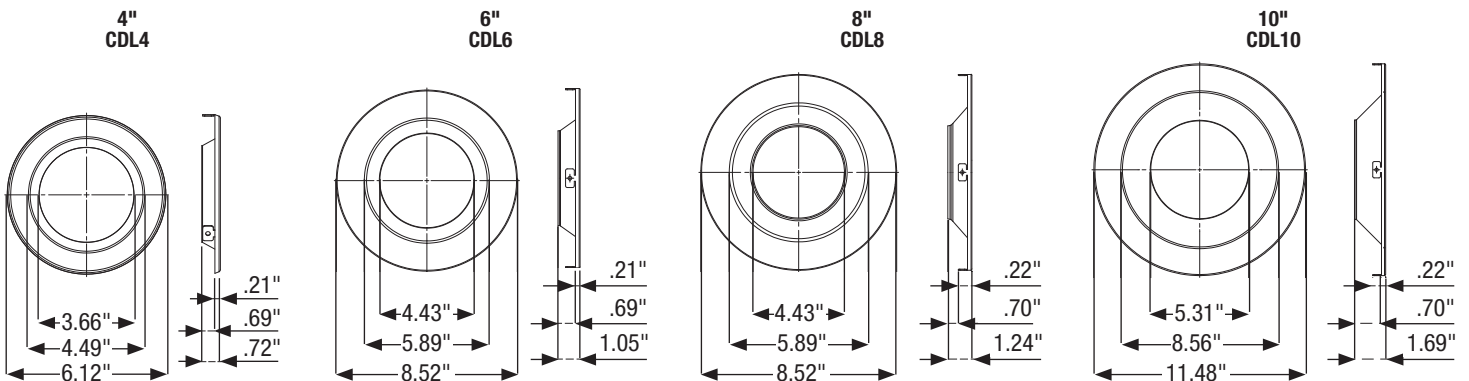


LED COMMERCIAL DOWNLIGHTS

COLOR TRIMS (SOLD SEPARATELY)

COLOR TRIMS (FOR INTEGRATED DRIVER FIXTURES ONLY)

MODEL #	ORDER CODE	DESCRIPTION
CDL4-TRIM-MB-S	76922	4" MATTE BLACK SMOOTH TRIM
CDL4-TRIM-BN-S	76923	4" BRUSHED NICKLE SMOOTH TRIM
CDL4-TRIM-BZ-S	76924	4" BRONZE SMOOTH TRIM
CDL4-TRIM-MS-S	76925	4" MATTE SILVER SMOOTH TRIM
CDL6-TRIM-MB-S	76926	6" MATTE BLACK SMOOTH TRIM
CDL6-TRIM-BN-S	76927	6" BRUSHED NICKLE SMOOTH TRIM
CDL6-TRIM-BZ-S	76928	6" BRONZE SMOOTH TRIM
CDL6-TRIM-MS-S	76929	6" MATTE SILVER SMOOTH TRIM
CDL8-TRIM-MB-S	76930	8" MATTE BLACK SMOOTH TRIM
CDL8-TRIM-BN-S	76931	8" BRUSHED NICKLE SMOOTH TRIM
CDL8-TRIM-BZ-S	76932	8" BRONZE SMOOTH TRIM
CDL8-TRIM-MS-S	76933	8" MATTE SILVER SMOOTH TRIM
CDL10-TRIM-MB-S	76934	10" MATTE BLACK SMOOTH TRIM
CDL10-TRIM-BN-S	76935	10" BRUSHED NICKLE SMOOTH TRIM
CDL10-TRIM-BZ-S	76936	10" BRONZE SMOOTH SMOOTH TRIM
CDL10-TRIM-MS-S	76937	10" MATTE SILVER SMOOTH TRIM



**BUILT FOR DURABILITY.
BUILT FOR RELIABILITY.
BUILT FOR WORK.™**

800-666-2852 | SOUTHWIRE.COM

©2024 Southwire Company, LLC. All rights reserved.
*Registered Trademark & ™Trademark of Southwire Company, LLC.