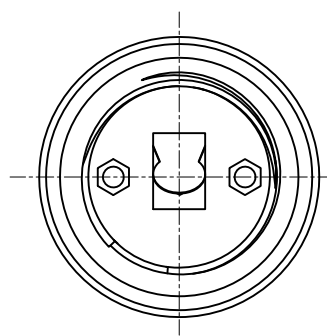
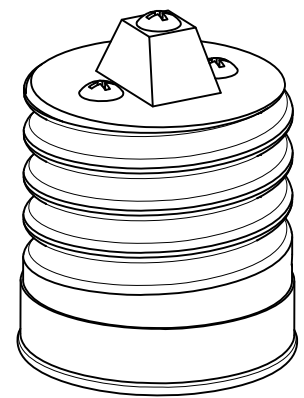
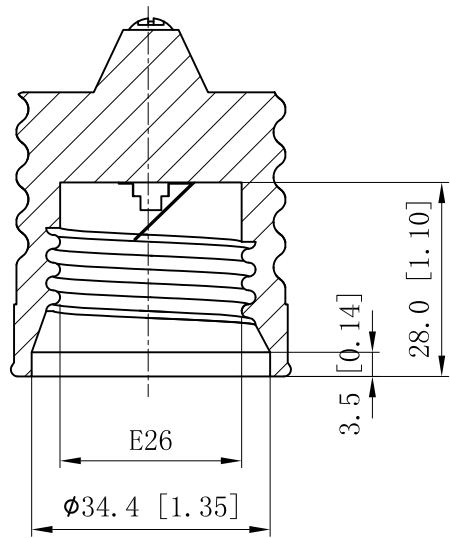
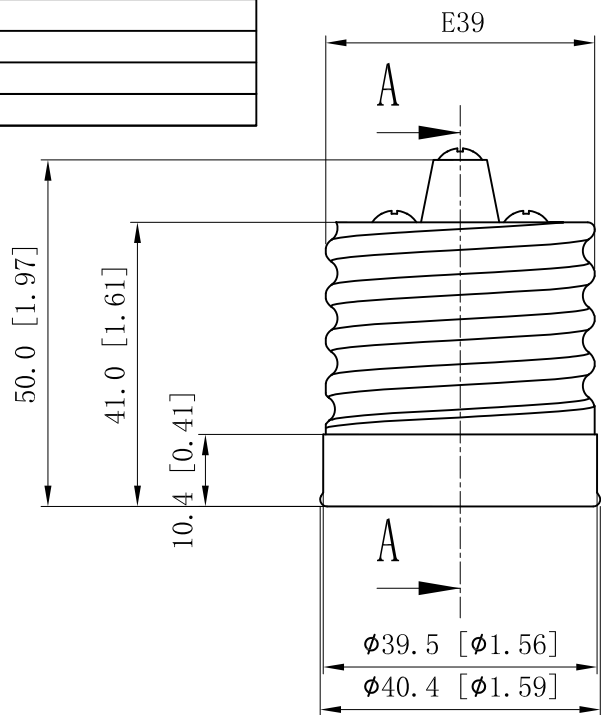


SIDES	BOTTOM



CUTAWAY VIEW A-A

This data sheet is for reference only .GARVIN INDUSTRIES reserves the right to make changes to the design without prior notice.

DESCRIPTION
TRADE REFERENCE TERMS

STANDARD PACKING	<h1>GARVIN INDUSTRIES</h1>		
1 PCS			
TITLE	ADAPTER CONVERTS OVERSIZED "MOGUL" BASE FIXTURES TO ACCEPT MEDIUM BASE LAMPS/BULBS		
SIZE	DWG NO.	MOGADP	REV
A4			
DATA SHEET			
www.garvinindustries.com			