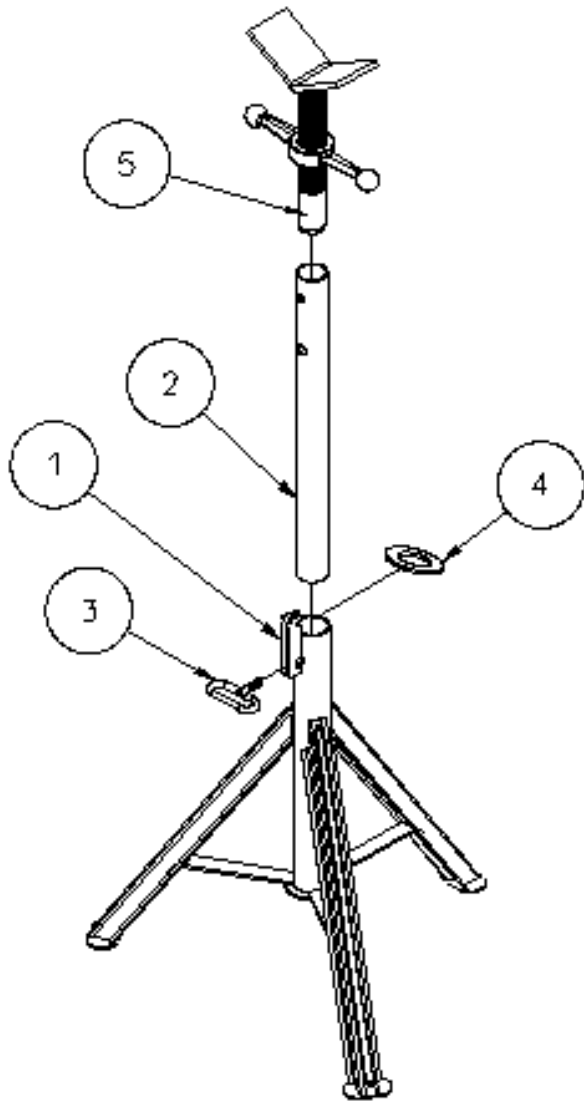
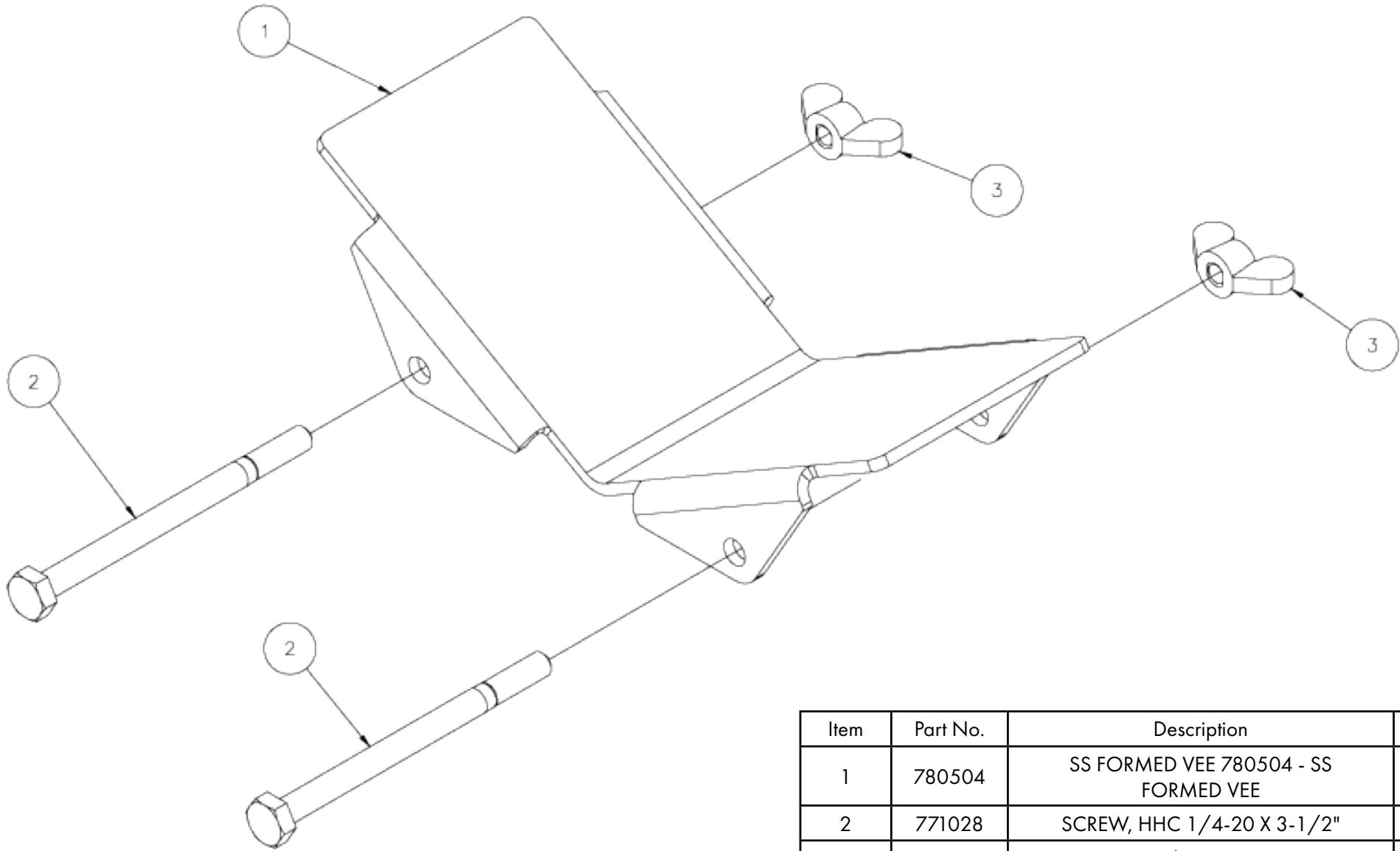


PRO JACK* PARTS



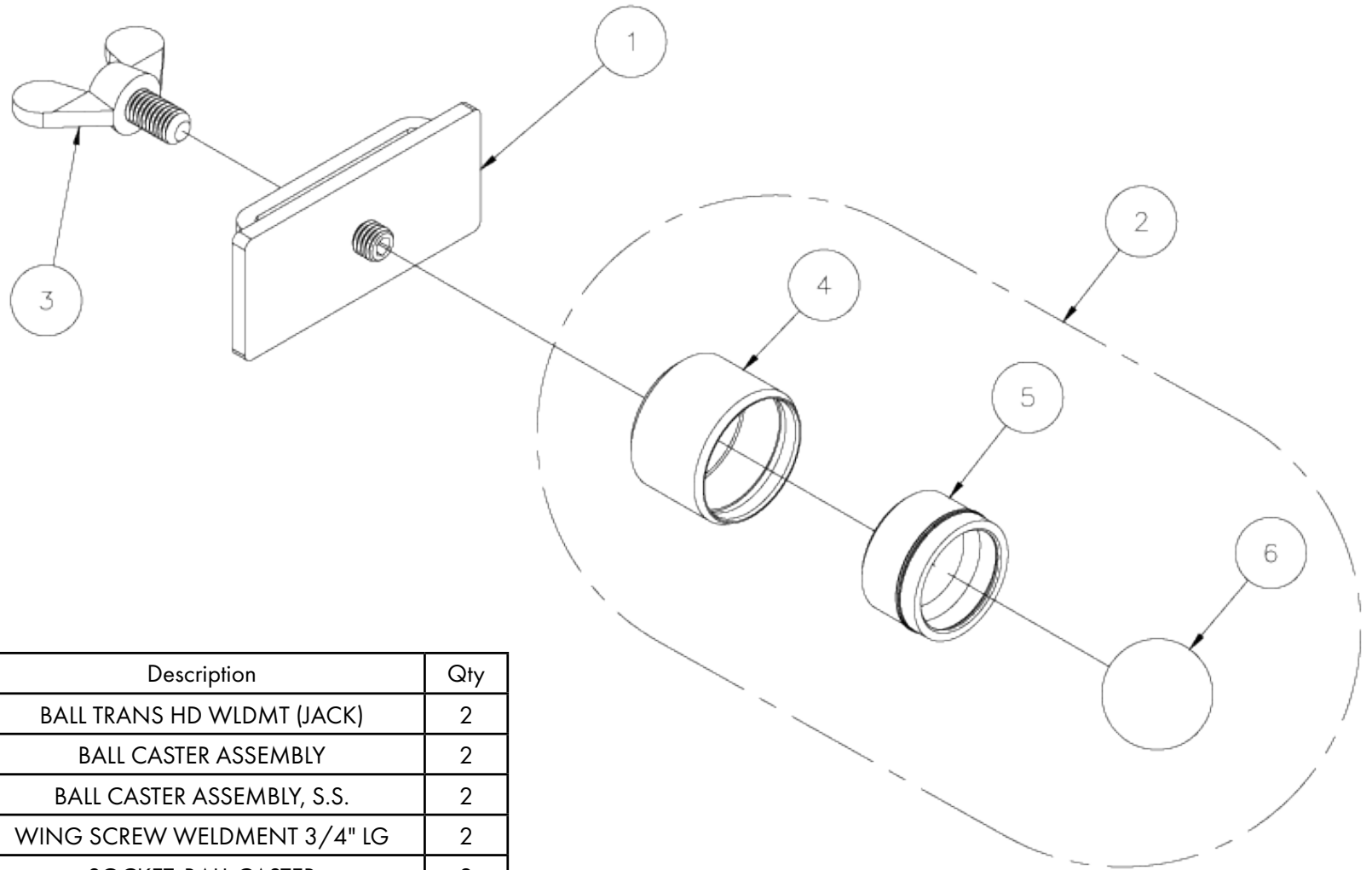
Item	Part No.	Description	Qty
1	780516	BASE WELDMENT, HI PRO-JACK*	1
2	780424	HI ID BBL PLN 20.5"LG.	1
3	780552	SETSCREW C-110W	1
4	780510	LOCKWASHER J-20A	1
5	780518	VEE HD ASSY., B-16F	1

SS SLEEVE KIT (780502)



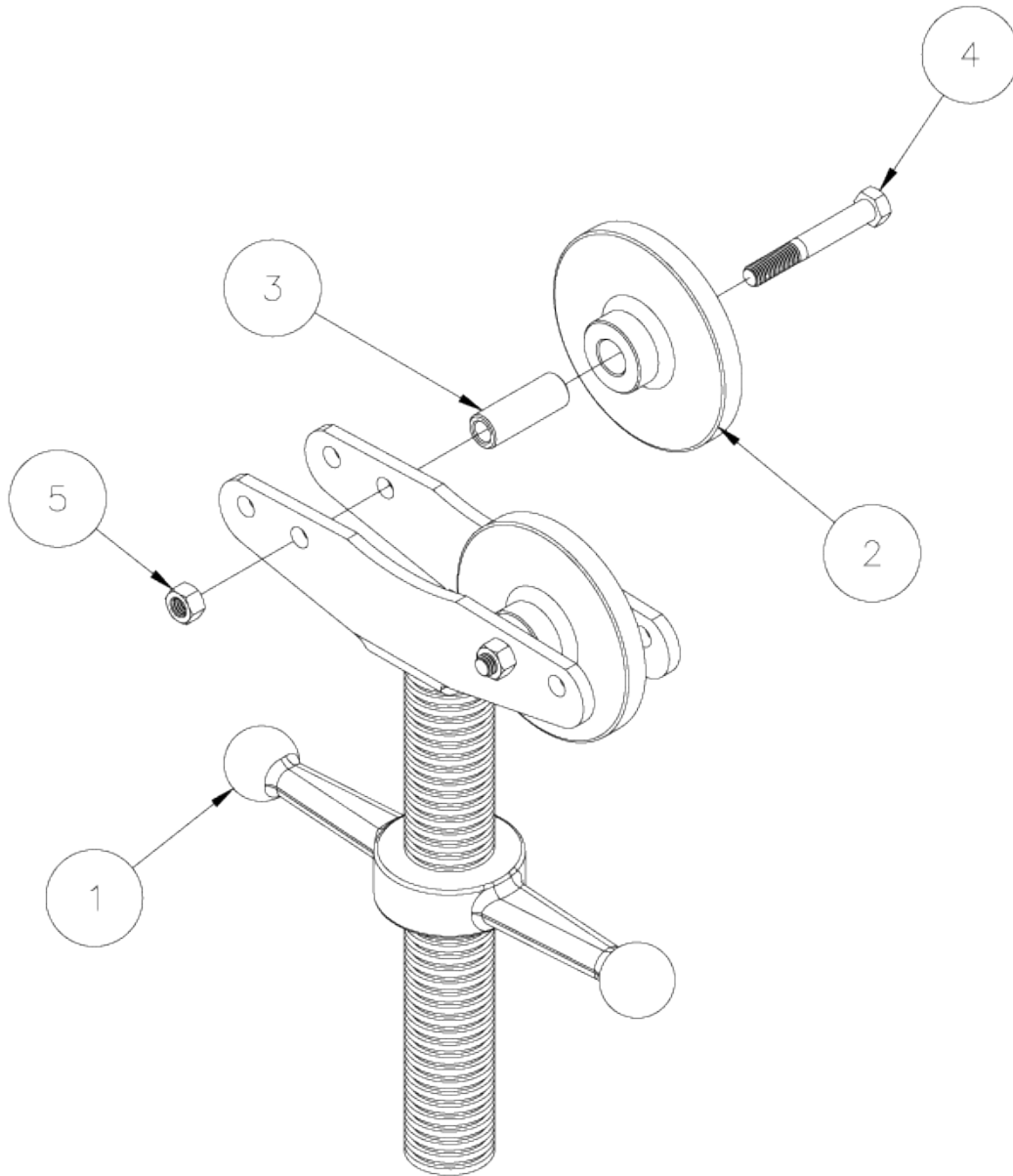
Item	Part No.	Description	Qty
1	780504	SS FORMED VEE 780504 - SS FORMED VEE	1
2	771028	SCREW, HHC 1/4-20 X 3-1/2"	2
3	776023	NUT, WING 1/4-20 COLD FORGED	2

BALL TRANSFER HEAD (780274 & 780551)



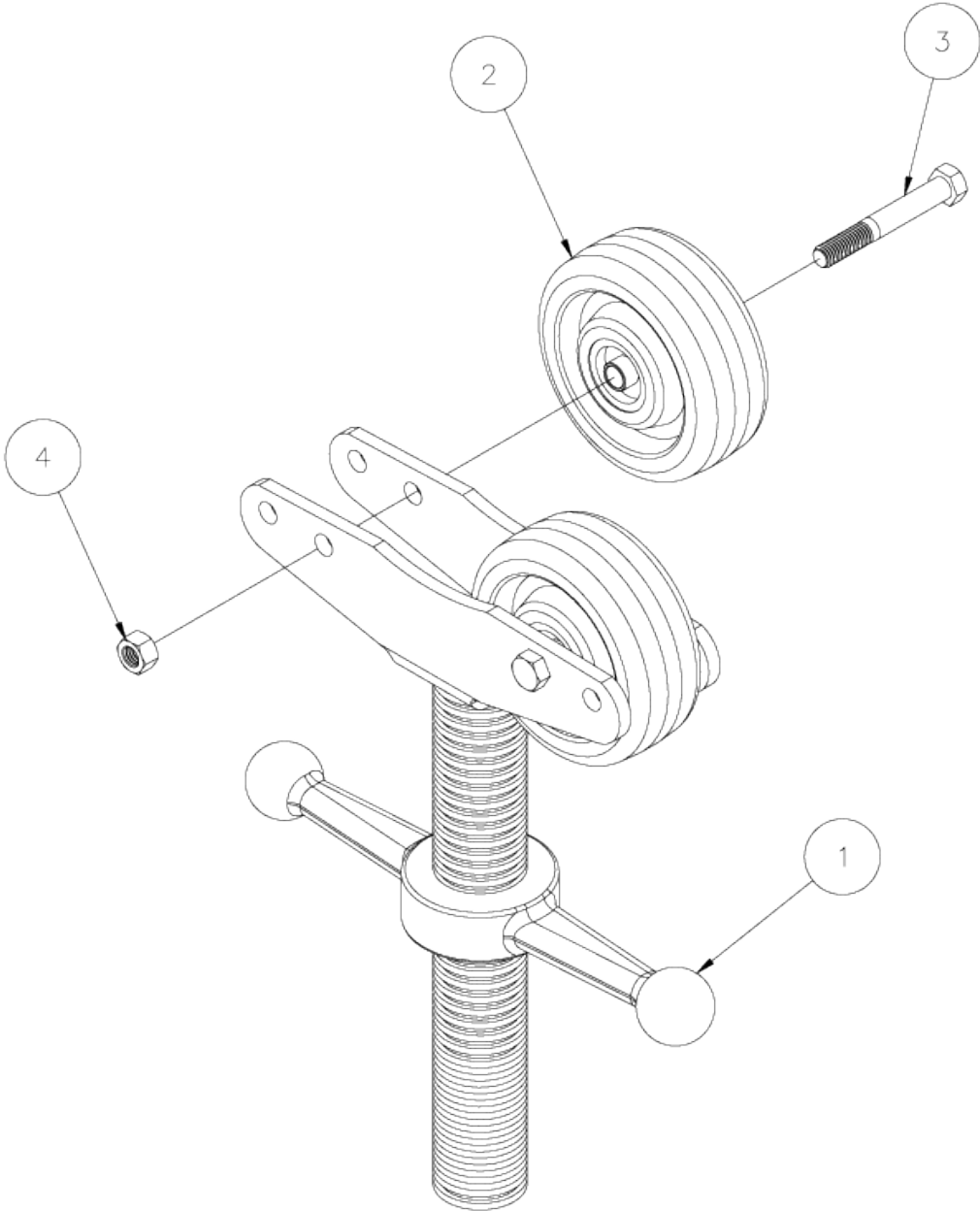
Item	Part No.	Description	Qty
1	780555	BALL TRANS HD WLDMT (JACK)	2
2	780271	BALL CASTER ASSEMBLY	2
2	780273	BALL CASTER ASSEMBLY, S.S.	2
3	780286	WING SCREW WELDMENT 3/4" LG	2
4	780267	SOCKET, BALL CASTER	2
5	780276	BEARING POCKET, BALL CASTER	2
6	779019	BALL, STEEL 1-1/2" DIA.	2
6	779021	BALL, S.S. 1-1/2 DIA.	2

ROLLER HEAD W/STEEL OR ALUMINUM WHEEL (780514 & 780517)



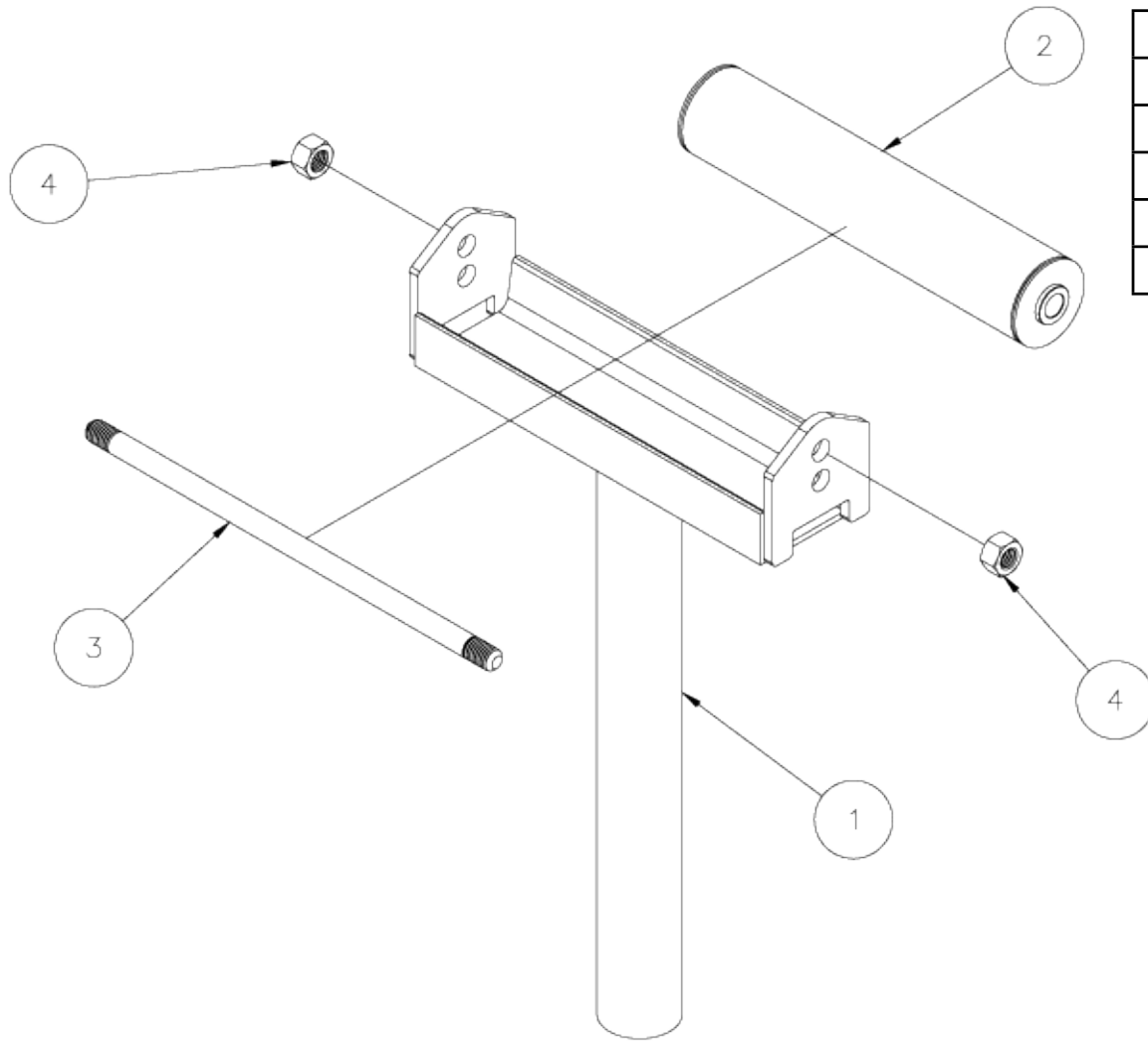
Item	Part No.	Description	Qty
1	780233	RLR HD. WLDMT W/ADJ SCREW	1
2	780509	ROLLER WHEEL "SS"	2
2	780568	ROLLER WHEEL , 1-PC PM	2
3	775031	BUSH, BZ 3/8 X 5/8 X 1-3/4"	2
4	771101	SCREW, HHC 3/8 - 16 X 2-3/4"	2
5	772355	NUT, INSERT LOCK 3/8-16	2

ROLLER HEAD W/RUBBER WHEELS (780499)



Item	Part No.	Description	Qty
1	780233	RLR HD. WLDMT W/ADJ SCREW	1
2	780507	RUBBER WHEEL W/BUSHINGS AD-9R	2
3	771101	SCREW, HHC 3/8 - 16 X 2-3/4"	2
4	772355	NUT, INSERT LOCK 3/8-16	2

BAR STOCK HEAD HI & LO JACKS (780519 & 780944)



Item	Part No.	Description	Qty
1	780945	BAR STOCK HD WELDMENT, LO	1
1	780582	BAR STOCK HD WELDMENT, HI	1
2	780585	ROLLER WLDMT W/BUSHINGS BSH	1
3	780588	ROLLER SHAFT BS-8	1
4	772357	NUT, INSERT LOCK 1/2-13	2