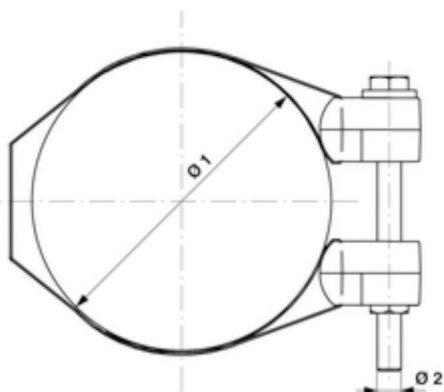


**Pole clamp with band to round pole  $\varnothing = 150-250$  mm, for 1 armature**  
Part no. D2897-02



**Technical data**

Dimensions

Ø1: 150-250 mm  
Ø2: M12

Material and weight

Weight: 0.745 kg  
Material: Bz/St Inox

Loads and tightening torque

Tighting torque: 30 Nm

Standards applied

-

Function

-

Specifications

-

Spare parts

-

Accessories

-

Comments

- Pole clamp to round pole with clevis fork vertical  
part no. D2623-01 (to be ordered separately)  
- Pole clamp to round pole with tongue horizontal  
part no. D2624-01 (to be ordered separately)  
- Bending tool for pole band  
part no. WD2888-01 (to be ordered separately)



**Southwire™**



**A COLAS RAIL COMPANY**

**Contact Us: [Transit@southwire.com](mailto:Transit@southwire.com)**