



Southwire™

30A | 60A HIGH POWER ELCI

Shockshield panel mounts provide protection for personnel and equipment when leakage levels have a potentially lethal ground current.



24140002-1

APPLICATIONS
Motors
Manufacturing Equipment
Pumping Systems
Welders
Pressure Washers
Hoists

ELCI WITH 10-30MA TRIP POINT

25MS TRIP RESPONSE TIME (TYPICALLY)

AUTO RESET

ENGINEERED TO TRIP WITHIN 25 MILLISECONDS

APPLICATIONS: PLANT MAINTENANCE, EQUIPMENT SERVICE

MODEL #	ELECTRICAL RATING				CORD GAUGE	ENCLOSURE COLOR	TRIP LEVEL	PROTECTION TYPE
24520001-1	120V	60A	60Hz	1Φ	4/3 AWG	GREY	10mA	ELCI
24500006-1	208-240V	30A	60Hz	3Φ	10/4 AWG	BLACK	10mA	ELCI
24140002-1	240V	30A	60Hz	1Φ	10/4 AWG	BLACK	10mA	ELCI
24530001-1	240V	60A	60Hz	3Φ	4/4 AWG	GREY	10mA	ELCI
25560001-1	380V	60A	60Hz	3Φ	4/4 AWG	GREY	30mA	ELCI

TECHNICAL DATA	
ENDURANCE	3,000 Operations Minimum
OVERLOAD CURRENT	Six Times Rated Current
OPERATING TEMPERATURE RANGE	-20°C to 40°C
INSULATION VOLTAGE	1500 Vrms - 1 Min.
DROP OUT VOLTAGE	60% Rated Voltage - Typically
CONNECTION TYPE	2 ft Flying Leads
ENCLOSURE	NEMA 4 Polymer
POWER ON INDICATION	Lighted Indicator

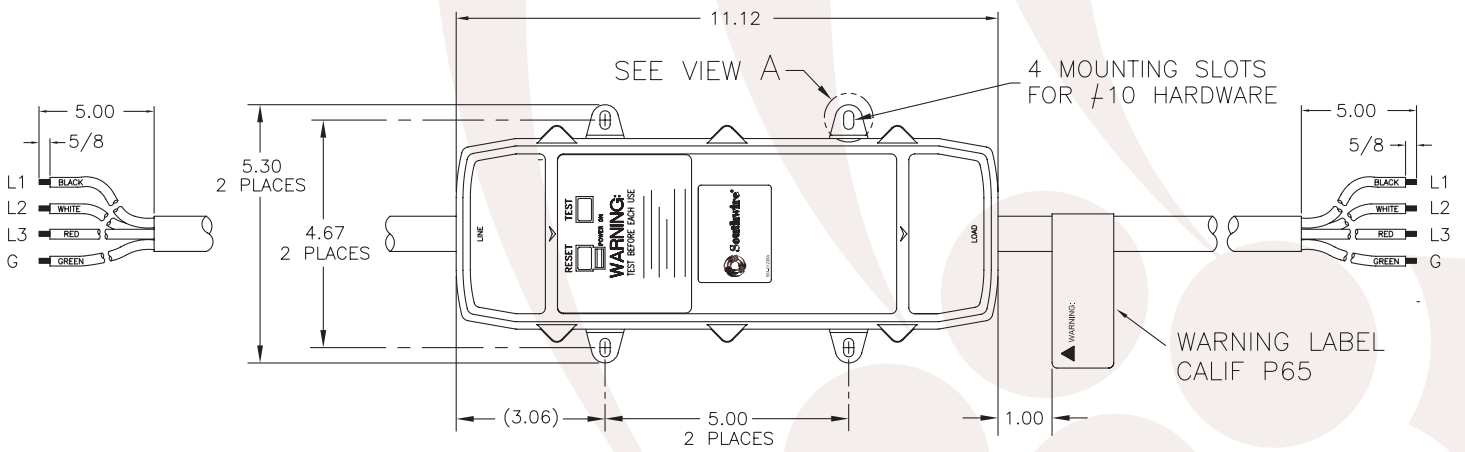
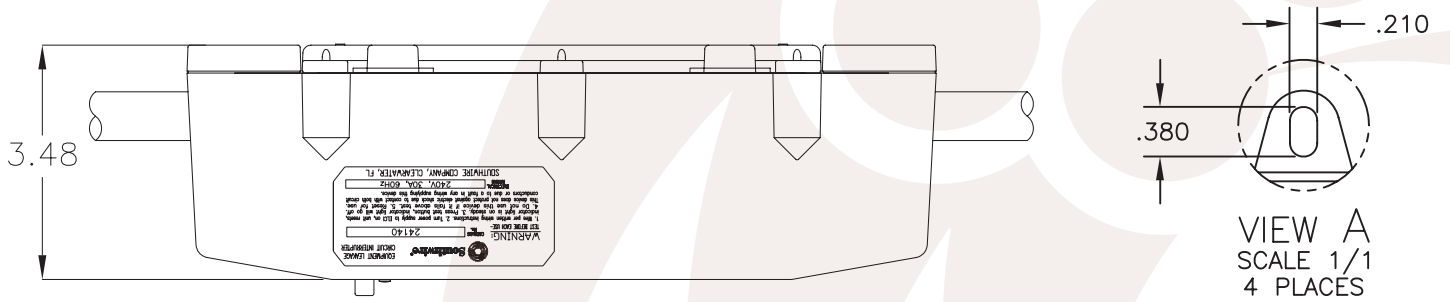
**BUILT FOR DURABILITY.
BUILT FOR RELIABILITY.
BUILT FOR WORK.™**

1-855-798-6657 | SOUTHWIRE.COM

©2023 Southwire Company, LLC. All rights reserved.
*Registered Trademark & ™Trademark of Southwire Company, LLC.



Southwire™



**BUILT FOR DURABILITY.
BUILT FOR RELIABILITY.
BUILT FOR WORK.™**

1-855-798-6657 | SOUTHWIRE.COM

©2023 Southwire Company, LLC. All rights reserved.
*Registered Trademark & ™Trademark of Southwire Company, LLC.