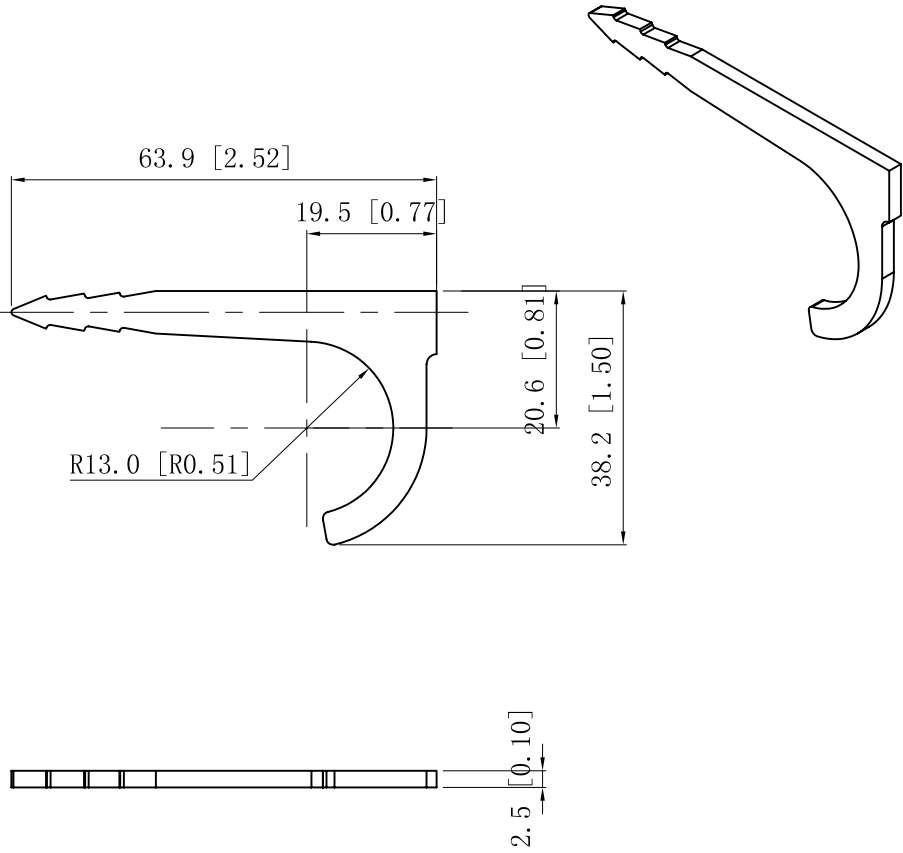


SIDES	BOTTOM
Material:Steel-0.098"-G60 Galvanized	



This data sheet is for reference only .GARVIN INDUSTRIES reserves the right to make changes to the design without prior notice.

DESCRIPTION
TRADE REFERENCE TERMS

STANDARD PACKING
100/1000 PCS

GARVIN INDUSTRIES		
ELECTRICAL TRADE WASHERS		
SIZE A4	DWG NO. NS-75	REV
DATA SHEET		