

Items:

F-L2/20W/CTS/D-87
 F-L4/40W/CTS/D-87
 F-L4/40W/CTS/EM-87
 F-L4/40W/CTS/MS-87

F-L8/64W/CTS/D-87
 F-L8/64W/CTS/EM-87
 F-L8/64W/CTS/MS-87



LED LINEAR STRIP LIGHT CCT SELECTABLE INSTALLATION INSTRUCTIONS

Read instructions carefully before installing. Keep these instructions for future reference. Topaz fixtures must be wired in accordance with the National Electrical Code and all applicable local codes. Proper grounding is required for safety. **THIS PRODUCT MUST BE INSTALLED IN ACCORDANCE WITH THE APPLICABLE INSTALLATION CODES BY A QUALIFIED ELECTRICIAN WHO IS FAMILIAR WITH THE CONSTRUCTION AND OPERATION OF THE PRODUCT AND THE HAZARDS INVOLVED.**



Warnings to avoid risk of electrical shock

- Make certain electrical supply is OFF before energizing fixture
- Make all electrical and grounded connections in accordance with local codes or the National Electrical Code. Failure to do so may result in serious personal injury.
- All wiring connections must be done by a qualified electrician and should be capped with UL approved connectors.
- To avoid risk of burn be sure fixture temperature is cool enough to touch before handling.
- While the light is on, please avoid direct eye exposure.
- Combustible materials should be kept away from fixture/lens.

Parts List

Surface mount kit --2ft (included)	
	<p>Parts:</p> <p>(1) J-box Adapter (2) Anchors (3) Screws</p>
Surface mount kit --4ft (included)	
	<p>Parts:</p> <p>(1) J-box Adapter (2) Anchors (3) Screws</p>
Surface mount kit --8ft (included)	
	<p>Parts:</p> <p>(1) J-box Adapter (4) Anchors (5) Screws</p>

Items:

- F-L2/20W/CTS/D-87 F-L8/64W/CTS/D-87
- F-L4/40W/CTS/D-87 F-L8/64W/CTS/EM-87
- F-L4/40W/CTS/EM-87 F-L8/64W/CTS/MS-87
- F-L4/40W/CTS/MS-87



LED LINEAR STRIP LIGHT CCT SELECTABLE INSTALLATION INSTRUCTIONS

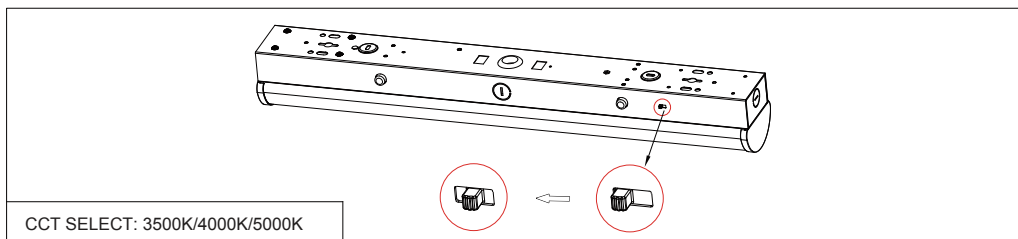
Part No.	Input Voltage	Frequency	Power	Rated Current
F-L2/20W/CTS/D-87	AC120-277V	50/60HZ	20W	0.183A/0.079A 120V/277V
F-L4/40W/CTS/D-87	AC120-277V	50/60HZ	40W	0.367A/0.159 120V/277V
F-L4/40W/CTS/EM-87	AC120-277V	50/60HZ	40W	0.367A/0.159 120V/277V
F-L4/40W/CTS/MS-87	AC120-277V	50/60HZ	40W	0.367A/0.159 120V/277V
F-L8/64W/CTS/D-87	AC120-277V	50/60HZ	64W	0.587A/0.254A 120V/277V
F-L8/64W/CTS/EM-87	AC120-277V	50/60HZ	64W	0.587A/0.254A 120V/277V
F-L8/64W/CTS/MS-87	AC120-277V	50/60HZ	64W	0.587A/0.254A 120V/277V

The fixture is suitable for indoor and damp applications.

Surface mount Installation

1. Disconnect electricity at fuse or circuit breaker box.
2. Remove parts pack and fixture components in order to make sure that all parts are there. (Parts list)
3. Select the desired CCT

CCT SELECT



Items:

F-L2/20W/CTS/D-87

F-L8/64W/CTS/D-87

F-L4/40W/CTS/D-87

F-L8/64W/CTS/EM-87

F-L4/40W/CTS/EM-87

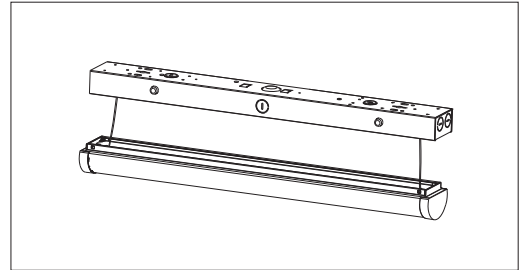
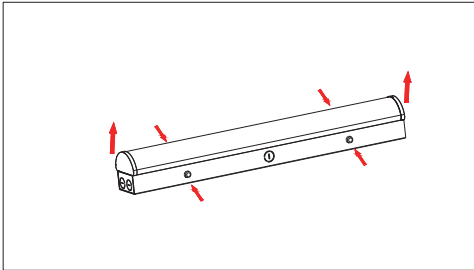
F-L8/64W/CTS/MS-87

F-L4/40W/CTS/MS-87

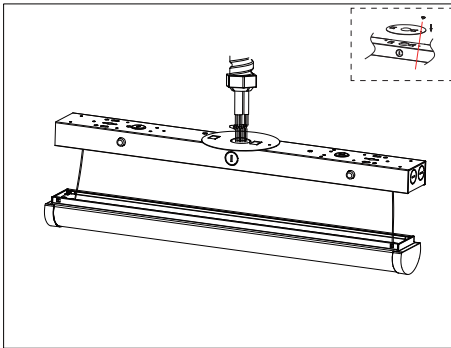


LED LINEAR STRIP LIGHT CCT SELECTABLE INSTALLATION INSTRUCTIONS

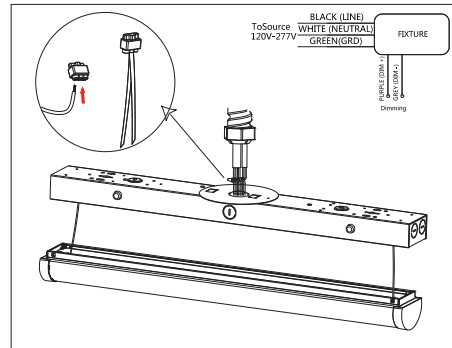
4. Swing open fixture by pushing in/squeezing both buttons located on opposite ends. Lift the LED Cover to disengage.



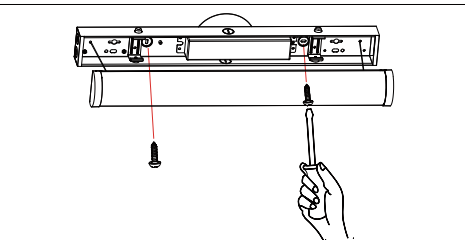
5. Run the fixture's power wires through the center hole of the round J-box adapter. Slide and secure the round J-Box adapter on the center slots located on the back of the fixture. Note: J-Box Adapter is used to cover the Junction Box



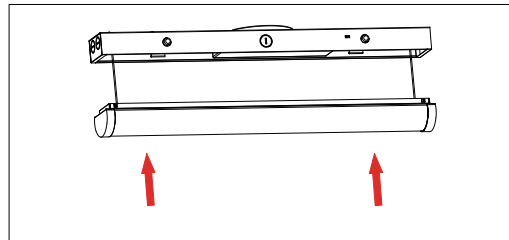
6. Make supply connections to the fixture's ground, black and white wire using the wiring diagram on page 6.



7. Locate the surface mounting holes and securely mount the housing directly to a sturdy surface using the correct mounting hardware. For reference, mounting holes are spaced 36 1/4" on 4' model and 83 3/8" apart on the 8' model.



8. Secure the LED Cover to the Housing by Pressing upward and lock it with springs tightly located into the fixture.



Items:

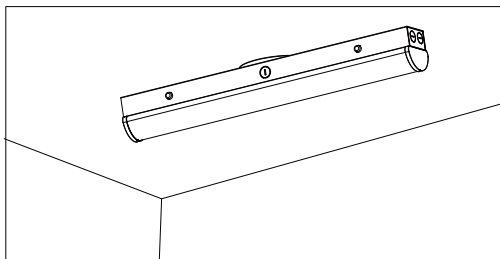
F-L2/20W/CTS/D-87
 F-L4/40W/CTS/D-87
 F-L4/40W/CTS/EM-87
 F-L4/40W/CTS/MS-87

F-L8/64W/CTS/D-87
 F-L8/64W/CTS/EM-87
 F-L8/64W/CTS/MS-87



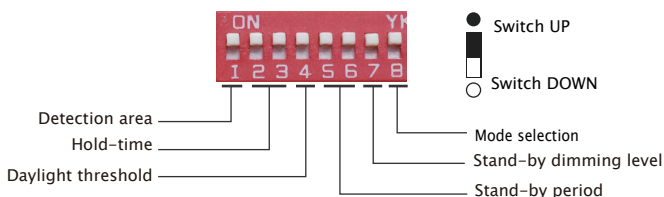
LED LINEAR STRIP LIGHT CCT SELECTABLE INSTALLATION INSTRUCTIONS

9. Energize the luminaire to verify operation.



Motion Sensor Pre-programmed Settings

Detection area	Hold Time	Daylight Threshold	Stand-by period	Stand by dimming level	Mode Selection
100%	5 Min	Disable	0 Second	10%	On



<input checked="" type="radio"/>	100%
<input type="radio"/>	50%

Detection area
 Sets the size of the detection area. **Default = 100%**

<input type="radio"/>	0s
<input type="radio"/>	1min
<input type="radio"/>	5min
<input type="radio"/>	+ ∞

Stand-by period
 The time period that the fixture will remain at the standby level before turning off. The standby period starts after the hold period. **Default = 0 Second**

<input type="radio"/>	30s
<input type="radio"/>	1min
<input type="radio"/>	2min
<input type="radio"/>	5min

Hold-time
 The time period that the fixture will remain at full after motion is no longer detected. **Default = 5 Min**

<input type="radio"/>	10%
<input type="radio"/>	30%

Stand-by dimming level
 The light level that the fixture goes to after the hold time is complete. **Default = 10%**

<input type="radio"/>	Disable
<input type="radio"/>	50lux

Daylight threshold
 The light level above which the fixture will turn off and stay off regardless of motion. Typically, only used in outdoor or other locations with substantial natural light. **Default = Disable**

<input type="radio"/>	ON
<input type="radio"/>	OFF

Mode selection
 The setting to enable or disable the sensor. **Mode Selection = On**

Items:

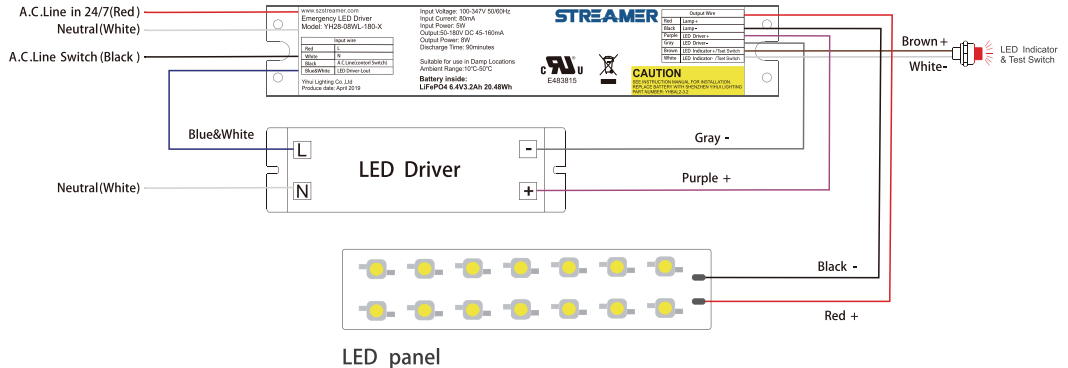
F-L2/20W/CTS/D-87
 F-L4/40W/CTS/D-87
 F-L4/40W/CTS/EM-87
 F-L4/40W/CTS/MS-87

F-L8/64W/CTS/D-87
 F-L8/64W/CTS/EM-87
 F-L8/64W/CTS/MS-87



LED LINEAR STRIP LIGHT CCT SELECTABLE INSTALLATION INSTRUCTIONS

EMERGENCY Wiring Diagrams



Note: The driver must be grounded.

Test switch: The fixture will go to emergency state when pressed. The emergency state is when the light output of the fixture goes to 10%–20%. To turn off the emergency state, press and hold the test switch for 3 seconds. The emergency battery will continue to charge when the test switch is not pressed.

LED Indicator: If the battery has a defect, the indicator light will flash while the fixture is charging.

Items:

F-L2/20W/CTS/D-87

F-L8/64W/CTS/D-87

F-L4/40W/CTS/D-87

F-L8/64W/CTS/EM-87

F-L4/40W/CTS/EM-87

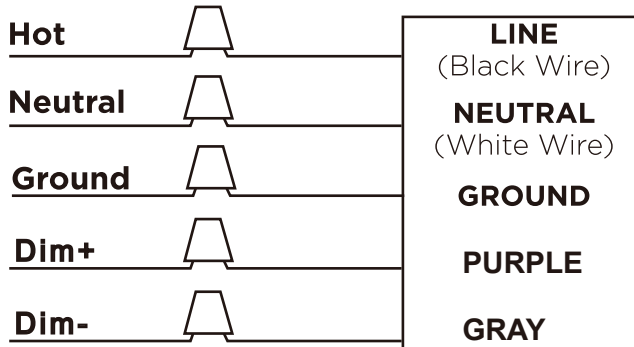
F-L8/64W/CTS/MS-87

F-L4/40W/CTS/MS-87



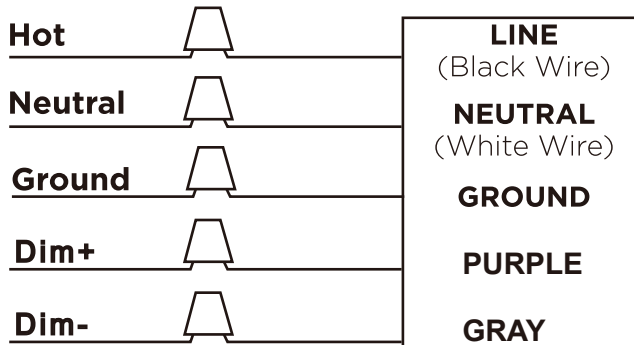
LED LINEAR STRIP LIGHT CCT SELECTABLE INSTALLATION INSTRUCTIONS

LINEAR STRIP FIXTURE



**208
VOLTS**
208V Split Phase
Wiring (USA 3 Wire)

LINEAR STRIP FIXTURE



**240
VOLTS**
240VAC Split Phase
Wiring (USA 3 Wire)

Please cap the gray and purple wires separately when not using the dimming feature.