



# Southwire™

## 45° PLAIN END ELBOWS

### SCHEDULE 40 PVC

#### FEATURES

- Both ends of the bend are spigot (plain) end
- Both ends are solvent weld

#### APPLICATION

- Can be used above ground or buried; suitable for use in concrete encasement

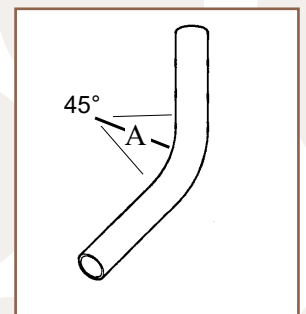
#### STANDARD MATERIAL

- Schedule 40 PVC



1051

PART #	SIZE	MASTER QTY.	WEIGHT/ CASE (LBS.)	A MIN. RADIUS
1051TZ	1/2"	50	5	4
1052	3/4"	25	4	4.50
1053	1"	20	5	5.75
1054	1-1/4"	25	10	7.25
1055TZ	1-1/2"	20	11	8.25
1056	2"	10	8	9.50
1057	2-1/2"	20	30	10.50
1058	3"	8	19	13
1059	3-1/2"	5	16	15
1060	4"	20	86	16
1060A	5"	1	7	24
1060B	6"	1	10	30



Rev. 0, 03/23

**BUILT FOR DURABILITY.  
BUILT FOR RELIABILITY.  
BUILT FOR WORK.™**

1-855-798-6657 | SOUTHWIRE.COM

©2023 Southwire Company, LLC. All rights reserved.  
\*Registered Trademark & ™Trademark of Southwire Company, LLC.