



Southwire™

BEAM/PURLIN

**FLANGE MOUNT
THREADED ROD SUPPORT**

APPLICATION

Supports 1/4" hole threaded rods from beams with flange clip.

FEATURES

Rotatable joint ensures rod maintains a vertical position
Hammer-on installation

MATERIAL/FINISH

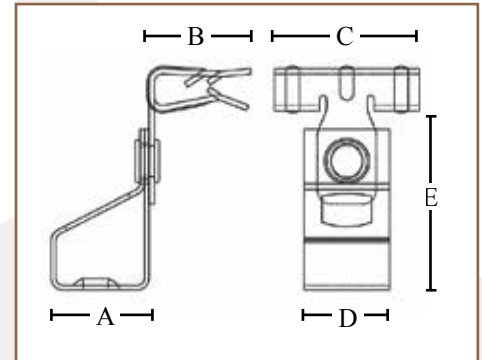
Spring Steel/GEOSEAL™

CERTIFICATIONS

UL Standard: UL 2239



4TI58TZ



PART #	FLANGE THICKNESS	STATIC LOAD (LBS.)	A	B	C	D	E	BOX QTY.
4TI24TZ	1/8" – 1/4"	200	.85"	.866"	1.26"	.748"	1.48"	100
4TI58TZ	5/16" – 1/2"	200	.85"	.866"	1.26"	.748"	1.48"	100
4TI912TZ	9/16" – 3/4"	200	.85"	.866"	1.26"	.748"	1.48"	100

Rev. 0, 03/23

**BUILT FOR DURABILITY.
BUILT FOR RELIABILITY.
BUILT FOR WORK.™**

1-855-798-6657 | SOUTHWIRE.COM

©2023 Southwire Company, LLC. All rights reserved.
*Registered Trademark & ™Trademark of Southwire Company, LLC.