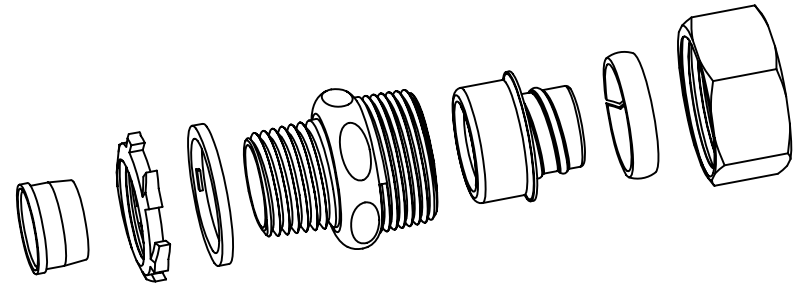
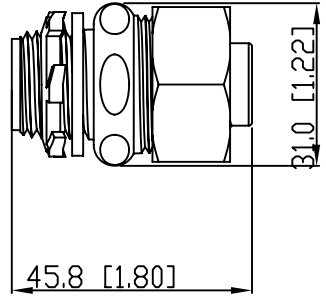
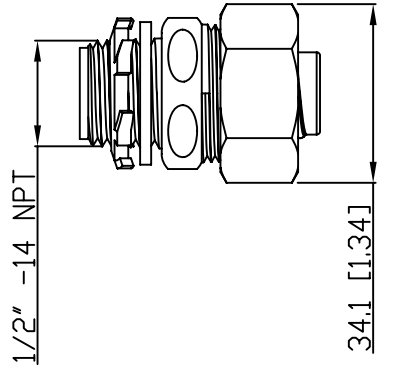
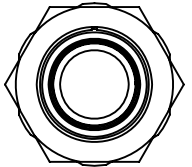


SIDES	BOTTOM
Material: Malleable Iron	



DESCRIPTION
TRADE REFERENCE TERMS

STANDARD PACKING	This data sheet is for reference only .GARVIN INDUSTRIES reserv the right to make changes to the design without prior notice.		
20 PCS	GARVIN INDUSTRIES		
	Str Liquid Tight Conn, 1/2"		
	SIZE A4	DWG NO. DS-LTC-50	REV A