



# Southwire™

## 90° LIQUIDTIGHT CONNECTORS

### ONE PIECE TYPE - PVC

#### FEATURES

- Liquidtight, raintight, oiltight
- Recommended design for appliance or fixture installations
- 90° angle

#### APPLICATION

- Dry location use

#### STANDARD MATERIAL

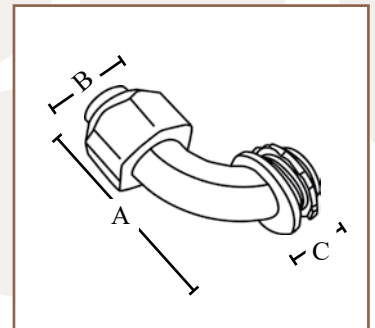
- PVC

#### CERTIFICATIONS

- UL



1522



PART #	SIZE	INNER QTY.	MASTER QTY.	WEIGHT/CASE (LBS.)	A	B	C
1521	1/2"	10	100	8	1.875"	.50"	3.125"
1522	3/4"	10	100	11	2.375"	.625"	3.50"

Rev. 0, 01/23

**BUILT FOR DURABILITY.  
BUILT FOR RELIABILITY.  
BUILT FOR WORK.™**

1-855-798-6657 | SOUTHWIRE.COM

©2023 Southwire Company, LLC. All rights reserved.  
\*Registered Trademark & ™Trademark of Southwire Company, LLC.