



**Southwire™**

# CLAMPS AND CLIPS

## THROUGH STUD CABLE/CONDUIT CLAMP

### APPLICATION

Snap-in conduit hangers are attached to an angle bracket that accommodates multiple mounting methods. Hangers can be used with beam clamps or directly mounted to a variety of wood or metal surfaces when conduit need to be offset from walls.

### FEATURES

Hanger provides a quick means of support for horizontal conduit runs of EMT, Rigid, MC/AC Cable through metal stud openings  
 Supports 1/2", 3/4" EMT, 3/4" Rigid Reduces conduit rattling  
 Screws to metal or wood studs

### MATERIAL/FINISH

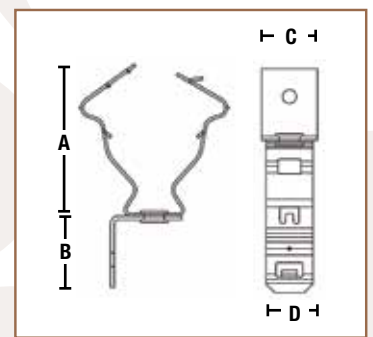
Spring Steel/Black Finish

### CERTIFICATIONS

UL or cULus



**BAKC38**



PART #	EMT SIZE	A	B	C	D	BOX QTY.
BAKC38*	3/8"	1.68"	.957"	.748"	.63"	100
FB812MTZ**	1/2" or 3/4"	2.05"	.957"	.748"	.63"	100

\*UL | \*\*cULus

