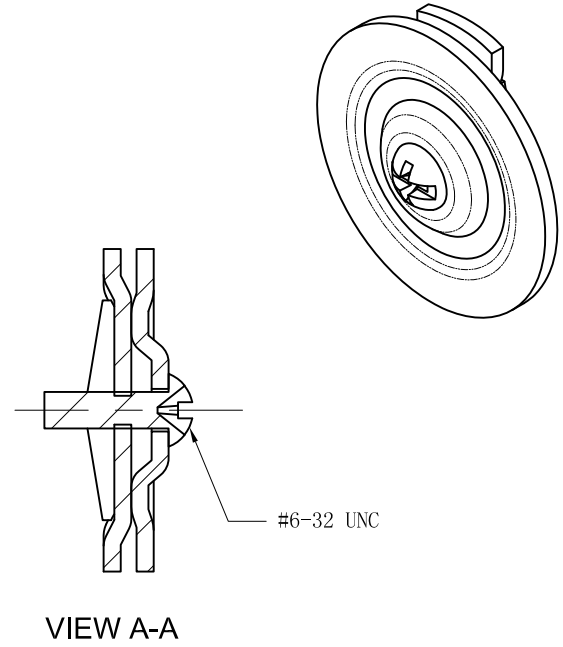
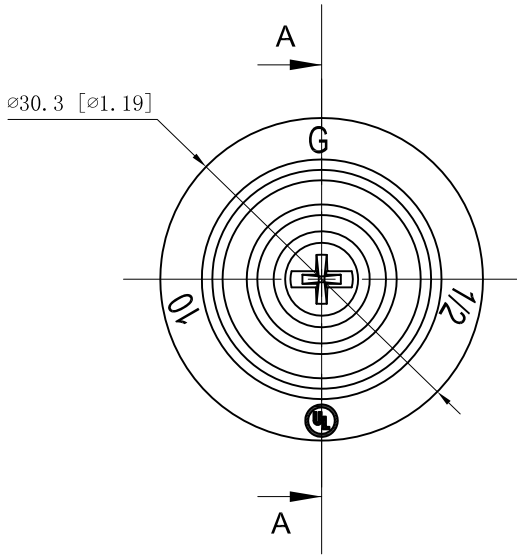
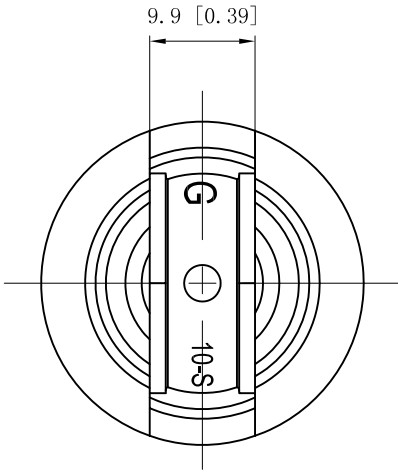


SIDES	BOTTOM
1 PCS 6-32×1/2 Screws Installed	
Material:Steel-0.0625"-C. R. S Galvanized	



DESCRIPTION
TRADE REFERENCE TERMS

This data sheet is for reference only .GARVIN INDUSTRIES reserves the right to make changes to the design without prior notice.

STANDARD PACKING
100/1000 PCS

GARVIN INDUSTRIES			
TITLE KNOCKOUT SEALS			
SIZE A4	DWG NO.	KOS-50	REV A
DATA SHEET			