

# SUMNER\*

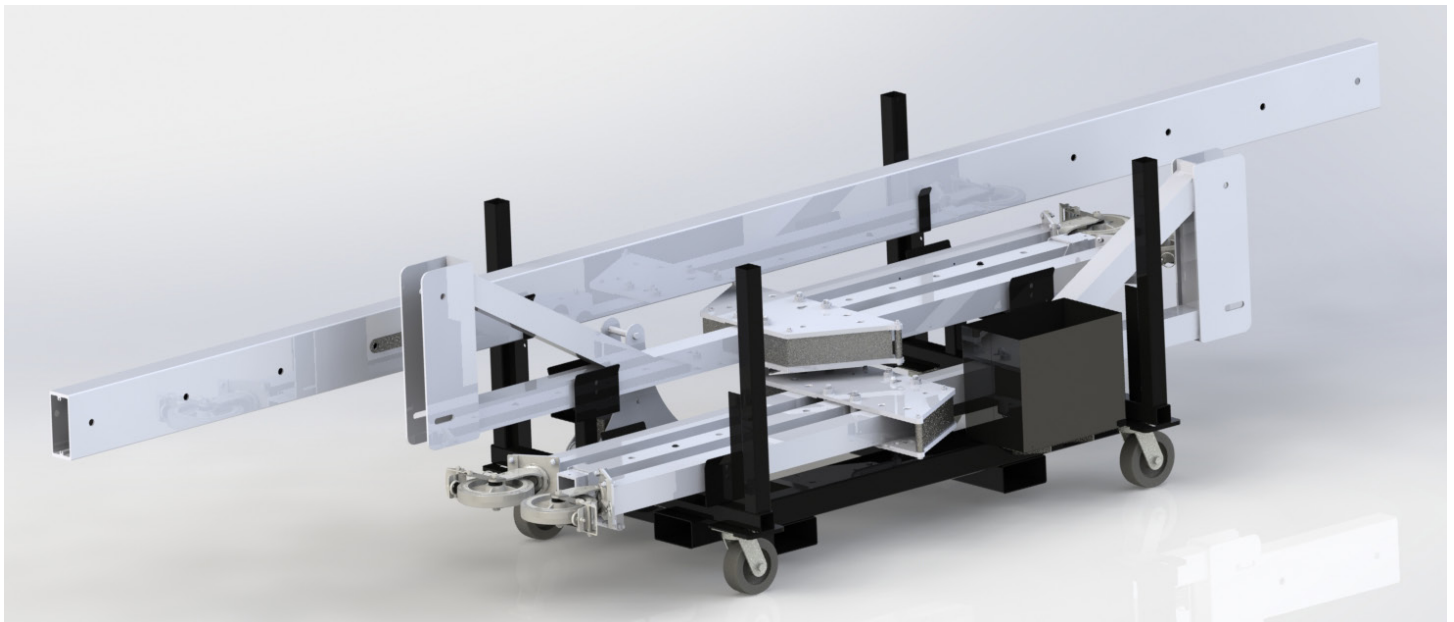
A Southwire Company

## SUMNER GANTRY SKID

The Sumner Gantry Skid System is designed to easily store and transport the ¾ and 2 Ton Gantry.

### SPECIFICATIONS:

- Can stack with up to three other Sumner Gantry Skids
- Four way Fork Skids make loading, unloading, and storage easy in any warehouse or truck
- Make it easy to push the Sumner Gantry through your warehouse or jobsite
- Overlapped cradle design narrows the overall footprint of the stored gantry
- All Gantry parts lock into place making visual inspection fast and easy
- Works with Sumner ¾ and 2 ton Gantry systems
- Storage location for any size Gantry Beam
- Bin Storage for your 2Ton Hoist



ITEM #	MODEL #	DESCRIPTION	HEIGHT	WIDTH	LENGTH	WEIGHT
786960	GSS-01	Sumner Gantry Skid System for 3/4-2 Ton Gantry	40	60	80	250 lbs (115 kg)

SUMNER.COM | 281-999-6900

\*TRADEMARK OF SUMNER MANUFACTURING LLC. REGISTERED IN THE U.S.