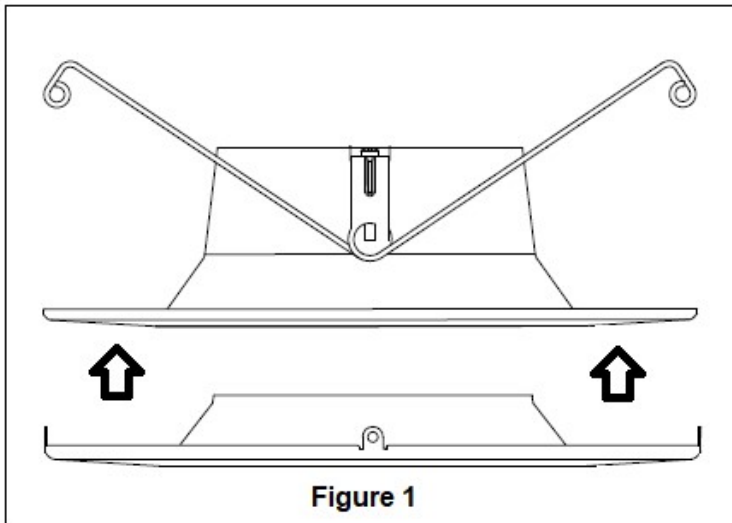


Item:

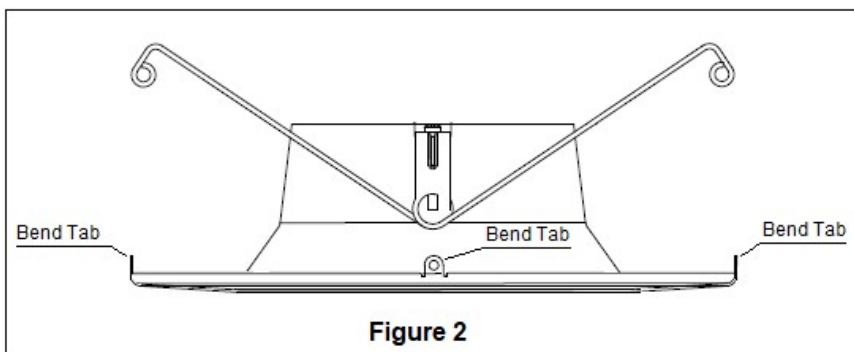
RTL4-TRIM-BL-B, RTL4-TRIM-BN-B, RTL4-TRIM-BZ-B
RTL4-TRIM-BL-S, RTL4-TRIM-BN-S, RTL4-TRIM-BZ-S
RTL6-TRIM-BL-B, RTL6-TRIM-BN-B, RTL6-TRIM-BZ-B
RTL6-TRIM-BL-S, RTL6-TRIM-BN-S, RTL6-TRIM-BZ-S



COLOR TRIM INSTALLATION INSTRUCTIONS



1. To ensure a proper fit, make sure the color trim finish (i.e. smooth or baffle) is the same as the downlight finish.
2. Remove fixture from ceiling can (if applicable)
3. Align color trim over the fixture face and push together. See Figure 1



4. Once together, locate the 4 bend tabs around the trim. Bend them all inward, by hand, until the trim is tight to the fixture. See Figure 2
5. The fixture is now ready to be installed/reinstalled back into the ceiling can.

****NOTE: THESE INSTRUCTIONS DO NOT ADDRESS ALL PERMUTATIONS THAT MAY EXIST IN INSTALLATION, MAINTENANCE, AND OPERATING ENVIRONMENT.**