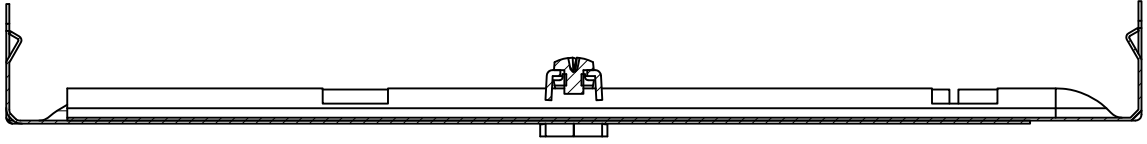
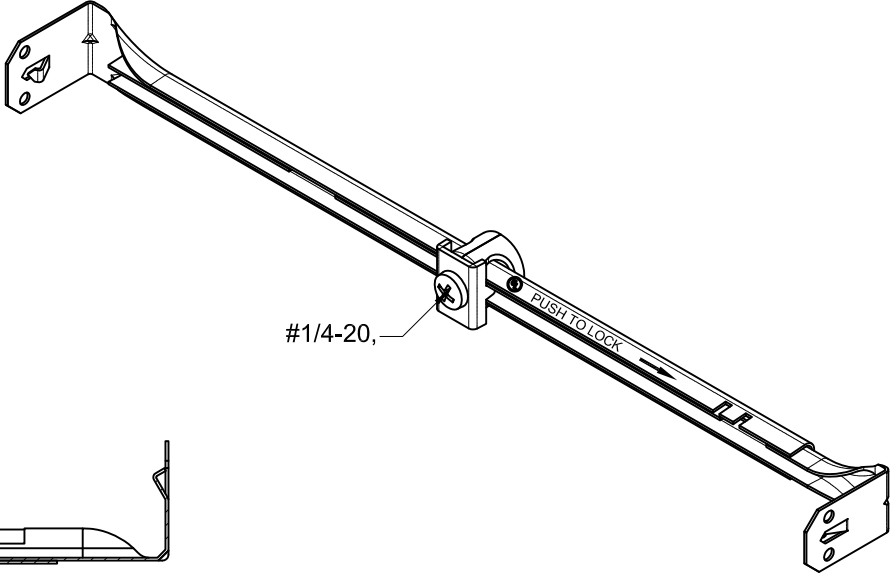
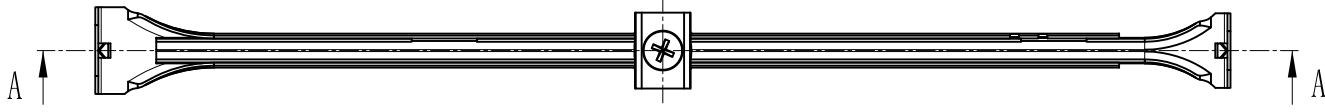


SIDES	BOTTOM
1 PCS #1/4-20x5/16 Screws Installed	
Material: Steel-0.039"-G60 Galvanized	



CUTAWAY VIEW A-A



This data sheet is for reference only .GARVIN INDUSTRIES reserves the right to make changes to the design without prior notice.

DESCRIPTION
TRADE REFERENCE TERMS

STANDARD PACKING
50 PCS

GARVIN INDUSTRIES		
ADJUSTABLE LENGTH BOX BAR HANGERS		
SIZE A4	DWG NO. BHA1C	REV A
DATA SHEET		