



Southwire™

BEAM/PURLIN

“Z” PURLIN ROD CLAMP

APPLICATION

Conforms to the angle of purlin to suspend plain or threaded rods.

FEATURES

Designed to fit angle purlin flanges

Rotatable joint ensures rod position maintains a vertical direction

Hammer-on installation

MATERIAL/FINISH

Spring Steel/GEOSEAL™

CERTIFICATIONS

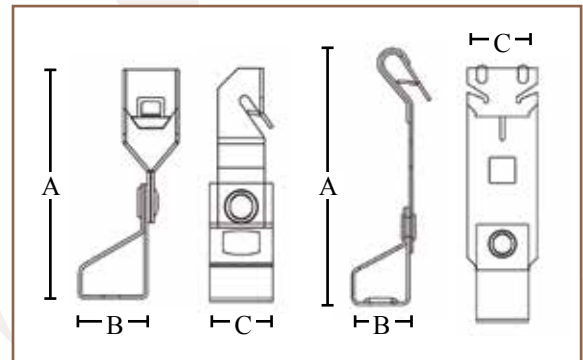
UL Standard: UL 2239



1224TITZ



AF146TITZ



PART #	FLANGE SIZE	MOUNTING OPTION	ROD SIZE	HOLE TYPE	A	B	C	BOX QTY.
1224TITZ	3/32" MAX	SIDE	1/4"	THREADED	3.28"	.85"	.748"	100
1226TITZ	3/32" MAX	SIDE	3/8"	THREADED	3.28"	.85"	.748"	100
AF144TITZ	1/16" – 1/4"	FRONT	1/4"	THREADED	4.30"	.827"	1"	100
AF146TTZ	1/16" – 1/4"	FRONT	3/8"	PLAIN	4.30"	.827"	1"	100
AF146TITZ	1/16" – 1/4"	FRONT	3/8"	THREADED	4.30"	.827"	1"	100

Rev. 0, 03/23

**BUILT FOR DURABILITY.
BUILT FOR RELIABILITY.
BUILT FOR WORK.™**

1-855-798-6657 | SOUTHWIRE.COM

©2023 Southwire Company, LLC. All rights reserved.
*Registered Trademark & ™Trademark of Southwire Company, LLC.