



# Southwire™

## 90° LIQUIDTIGHT CONNECTORS WITH INSULATED THROAT - ZINC

### FEATURES

- Liquidtight, raintight, oiltight
- 90° connectors
- Assembled with a die cast locknut
- Insulated throat protects against abrasion damage

### APPLICATION

- For use with metallic and non-metallic "Type B" liquidtight conduit

### STANDARD MATERIAL

- Zinc die cast

### CERTIFICATIONS

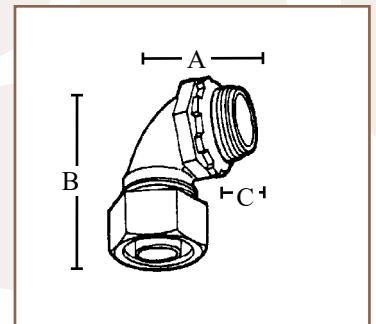
- cULus



490i



PART #	SIZE	INNER QTY.	MASTER QTY.	WEIGHT/CASE (LBS.)	A	B	C
490i	3/8" 1/2" K0	10	100	30	2.062"	2.34"	.52"
491i	1/2"	10	100	27	2.22"	2.34"	.52"
492i	3/4"	10	100	39	2.55"	3.55"	.68"
493i	1"	5	50	33	2.82"	3.785"	.67"
494i	1-1/4"	2	20	21	3.362"	3.96"	.70"
495i	1-1/2"	2	20	26	3.45"	4.13"	.70"
496i	2"	1	10	20	4.036"	4.70"	.57"



Rev. 0, 01/23

**BUILT FOR DURABILITY.  
BUILT FOR RELIABILITY.  
BUILT FOR WORK.™**

1-855-798-6657 | SOUTHWIRE.COM

©2023 Southwire Company, LLC. All rights reserved.  
\*Registered Trademark & ™Trademark of Southwire Company, LLC.